

**SPECIFICATION:**

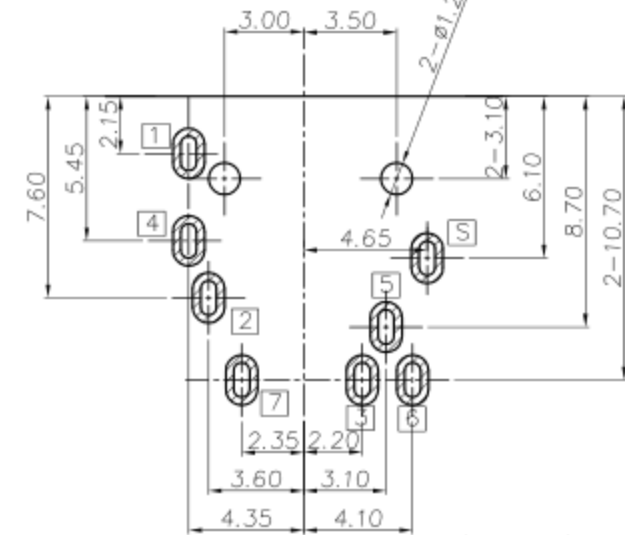
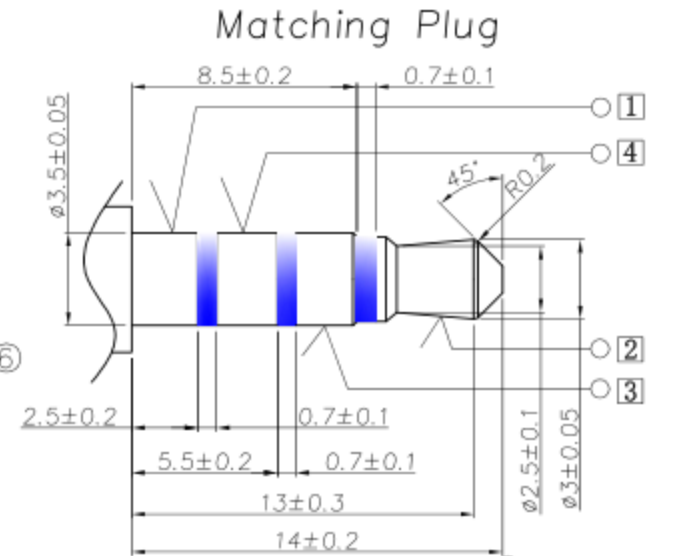
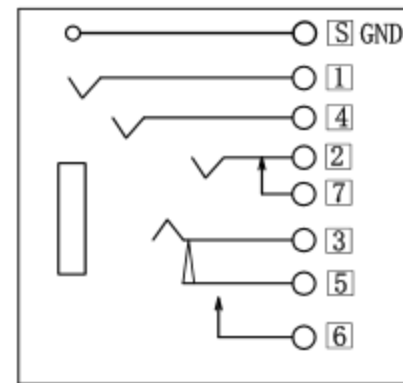
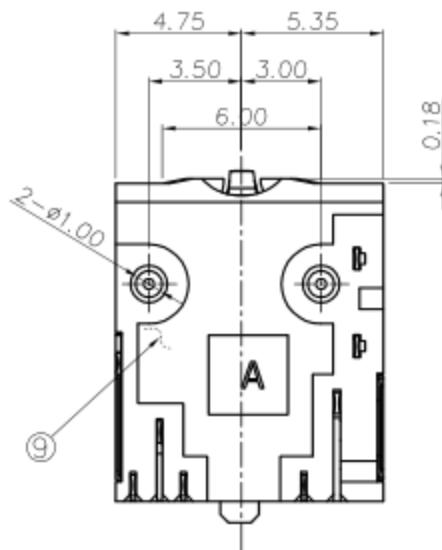
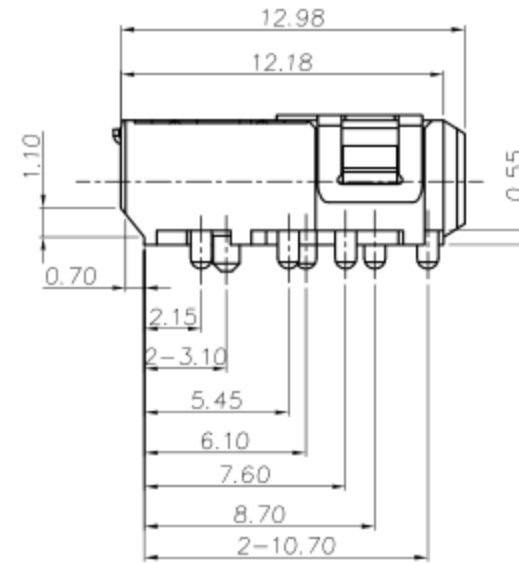
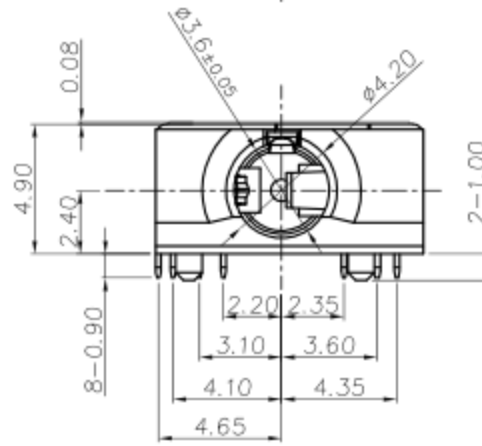
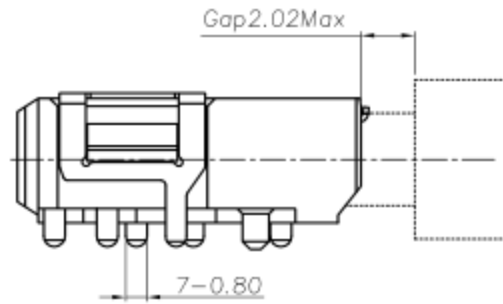
**1. Electrical characteristics**

- 1-1. Current rating: DC 0.5A max.
- 1-2. Voltage rating: DC 30V.
- 1-3. Contact resistance: 50mΩ max.
- 1-4. Insulation resistance: 100MΩ min. at 500V DC.
- 1-5. Withstanding voltage: 500V AC for 1 minute.

**2. Mechanical characteristics**

- 2-1. Life test: 5000 cycles min.
- 2-2. Mating force: 3~30N,  
Unmating force: 3~30N.

**3. Salt spray test time: 48 hours min.**



**MODEL NO. :**

PJR-D3156B-ABK7AS02L-RH

(1) (2) (3) (4) (5) (6)

- (1) Series no.
- (2) Schematic type: A
- (3) Housing color:  
BK7=Black
- (4) Terminal plating:  
AS02=Plating Gold 1" min.
- (5) Packing mode: L=Reel packing
- (6) Environmental requirements:  
Rh=RoHS 2.0 + Halogen Free

11	Mylar	1	Kapton	Yellow
10	Housing	1	PA10T R630NH+30%GF UL 94V-0	Black
9	Molding	1	PA10T R630NH+30%GF UL 94V-0	Black
7	Shunt terminal	1	Phosphor bronze, 0.20t	Gold Flash On Contact Area And Solder Tail over Nickel Plated.
8	Shell	1	Phosphor bronze, 0.20t	Plating Ni .
6	Shunt terminal	1	Phosphor bronze, 0.20t	Gold Flash On Contact Area
5	Transfer Spring	1	Phosphor bronze, 0.20t	Tin Plating on Solder Tail Area
4	Ring spring	1	Phosphor bronze, 0.20t	Tail Area
3	Ring spring	1	Phosphor bronze, 0.20t	Tail Area
2	Tip spring	1	Phosphor bronze, 0.25t	All over Nickel Plated
1	Earth spring	1	Phosphor bronze, 0.20t	
NO.	DESCRIPTION	QTY	MATERIAL	REMARK

					Angle	±2°	DESIGN	李海鸥	2016.06.07	
					. x	±0.30	CHECK			
					. xx	±0.25	APPROVAL			
					. xxx	±0.10				
ECN NO.	REV	DATE	DESCRIPTION	CHANGE	APPRO.	GENERAL TOLERANCE UNLESS OTHERWISE NOTED	SCALE: 3:1	UNIT:mm	A4	SHEET: 1 of 1
	A-0	2016.06.07	NEW	李海鸥						

东莞市高迪电子有限公司

TITLE: Ø3.5mm PHONE JACK  
 MODEL NO. PJR-D3156B-ABK7AS02L-RH  
 FILE NO. Q/SSY.QW-001A-0XXX