

RECOMMENDED P.C.B LAYOUT
TOP VIEW (TOLRANCE: ±0.05)

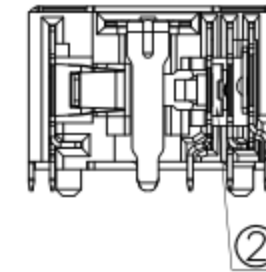
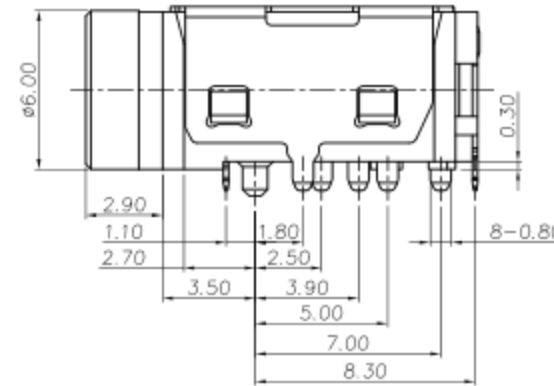
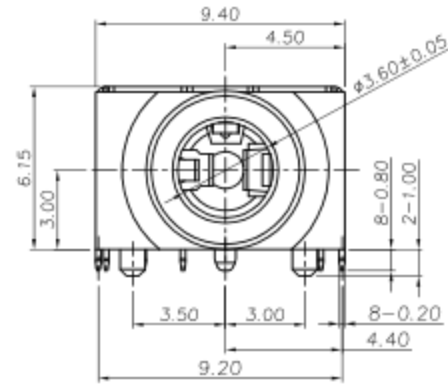
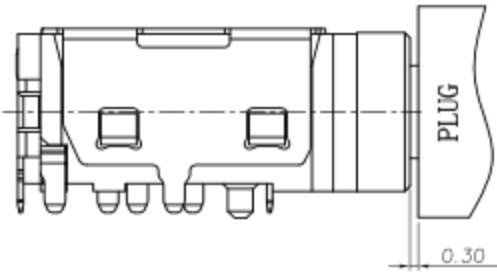
SPECIFICATION:

1. Electrical characteristics

- 1-1. Current rating: DC 1A max.
- 1-2. Voltage rating: DC 12V.
- 1-3. Contact resistance: 50mΩ max.
After test: 100mΩ max.
- 1-4. Insulation resistance: 100MΩ Min. at 500V DC.
- 1-5. Withstanding voltage: 500V AC for 1 minute.

2. Mechanical characteristics

- 2-1. Life test: 5000 cycles min,
- 2-2. Mating force: 4-30N,
Unmating force: 4-30N.

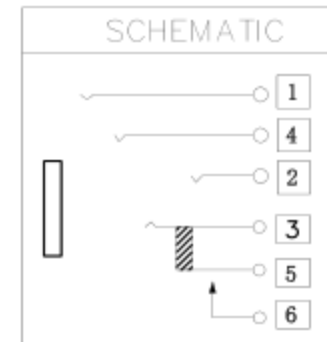
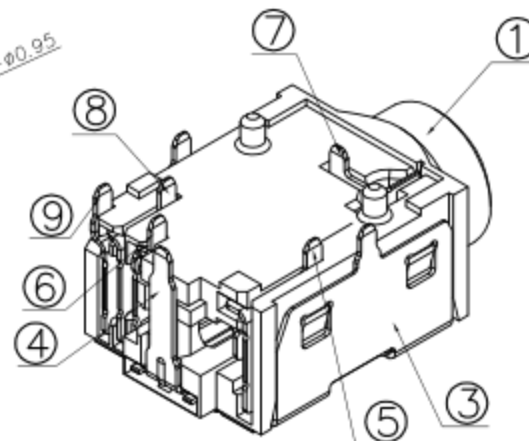
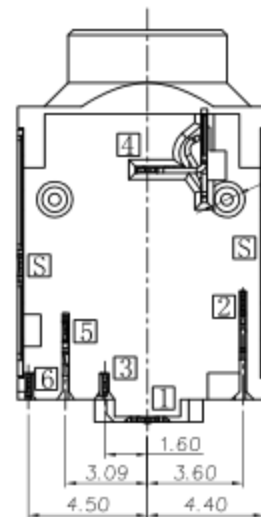
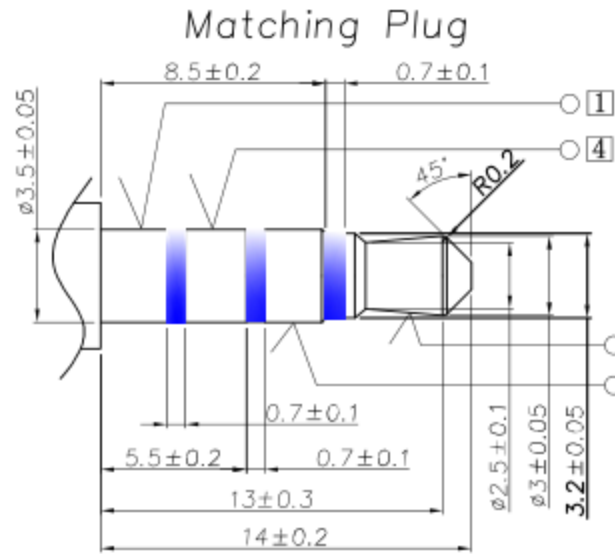


MODEL NO. :

PJR-D31550- A BK7 AM03 L- RH

(1) (2) (3) (4) (5) (6)

- (1) Series no.
- (2) Schematic type: A
- (3) Housing color:
BK7=Black
- (4) Terminal plating:
AM03=Plating Tin/Au
- (5) Packing mode: L=Reel packing
- (6) Environmental requirements:
RH=RoHS 2.0 + Halogen free



NO.	DESCRIPTION	QTY	MATERIAL	REMARK
9	Make Spring	6	1	Phosphor bronze, 0.20t
8	Transfer Spring	5	1	Phosphor bronze, 0.20t
7	Ring spring	4	1	Phosphor bronze, 0.20t
6	Ring spring	3	1	Phosphor bronze, 0.20t
5	Tip spring	2	1	Phosphor bronze, 0.20t
4	Earth spring	1	1	Phosphor bronze, 0.20t
3	Shell	S	1	Brass, 0.20t Plating Nickel
2	Insulator	1	1	High temperature plastic Black
1	Housing	1	1	High temperature plastic Black

Su*Gold On Contact Area, Matte Tin Plating on Solder Tail Area, All over Nickel Plated

ECN NO.	REV	DATE	DESCRIPTION	CHANGE	APPRO.	GENERAL TOLERANCE UNLESS OTHERWISE NOTED	SCALE: 3:1	UNIT:mm	A4	SHEET: 1 of 1
	A-0	2015. 5. 27	NEW	刘伟	余军	Angle ±2° 10<L≤20 ±0.3 5<L≤10 ±0.25 L≤5 ±0.20	DESIGN 刘伟 2015. 05. 27			

东莞市高迪电子有限公司

TITLE: φ3.5mm PHONE JACK
MODEL NO. PJR-D3155A-ABK7AM03L-RH
FILE NO. Q/SSY.QW-001A-0533