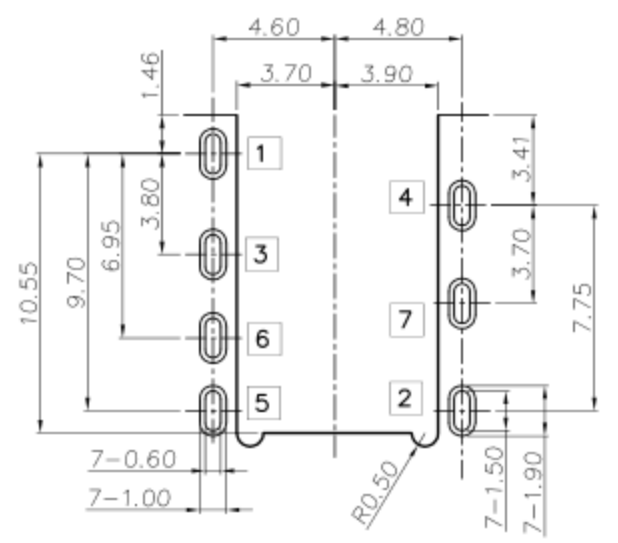
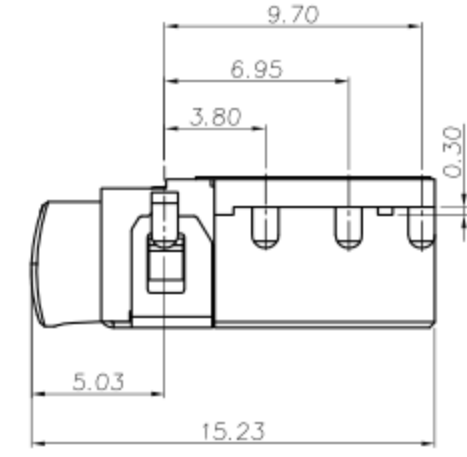
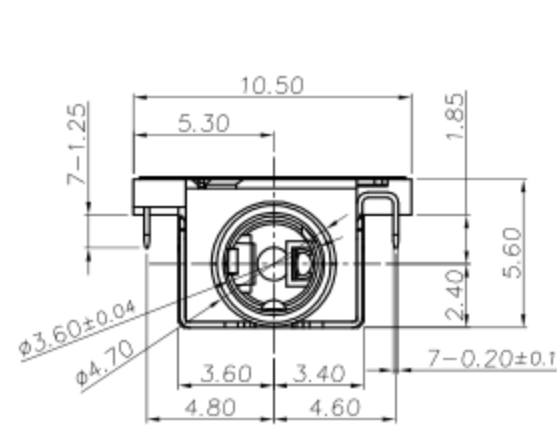
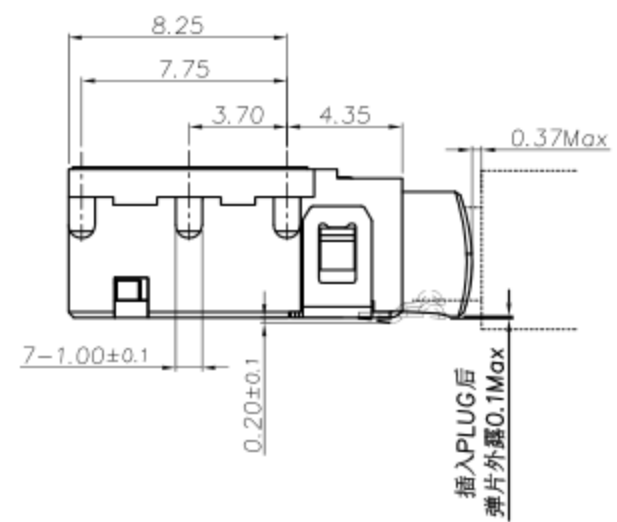
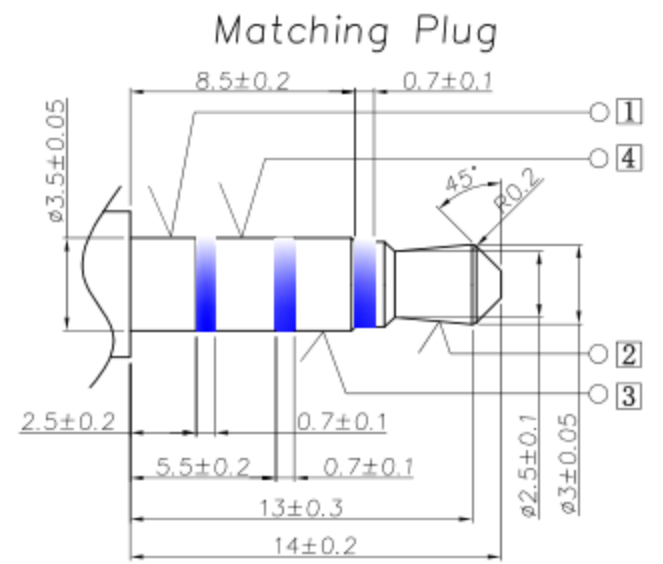
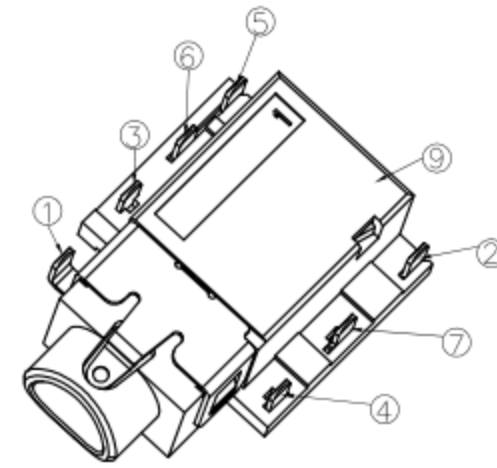
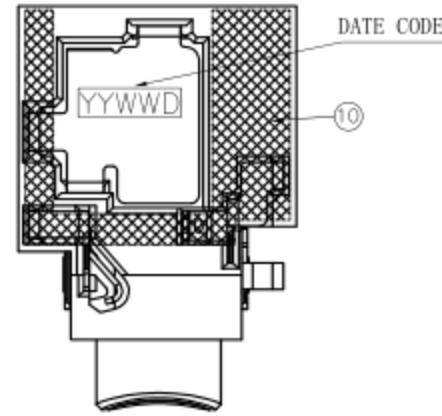


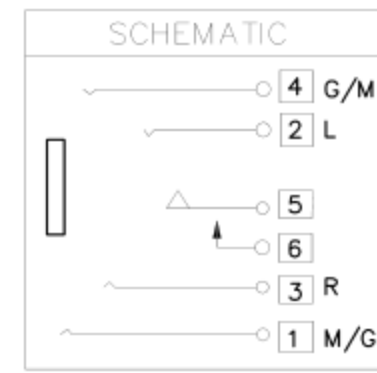
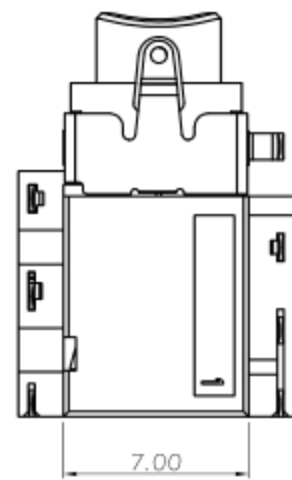
MODEL NO. :
 PJR-D3148B-ABK7AS02L-RH
 (1) (2)(3) (4) (5) (6)

- (1) Series no.
- (2) Schematic type: A
- (3) Housing color:
BK7=Black
- (4) Terminal plating:
AS02=Plating Gold Flash.
- (5) Packing mode:L=Reel packing
- (6) Environmental requirements:
Rh=RoHS 2.0 + Halogen Free



SPECIFICATION:

1. Electrical characteristics
 - 1-1. Current rating: DC 0.5A max.
 - 1-2. Voltage rating: DC 30V.
 - 1-3. Contact resistance: 50mΩ max.
 - 1-4. Insulation resistance: 100MΩ min. at 500V DC.
 - 1-5. Withstanding voltage: 500V AC for 1 minute.
2. Mechanical characteristics
 - 2-1. Life test: 5000 cycles min,
 - 2-2. Mating force: 3~30N,
Unmating force: 3~30N.



RECOMMENDED P. C. B. LAYOUT (t=1.0mm)
 TOP VIEW (TOLRANCE: ±0.05)

NO.	DESCRIPTION	QTY	MATERIAL	REMARK
10	Mylar	1	Kapton	Yellow
9	Housing	1	HIGH TEMPERATURE PLASTIC	Black
8	Insulator	1	HIGH TEMPERATURE PLASTIC	Black
6	Shunt terminal [6]	1	Phosphor bronze, 0.20t	Gold Flash On Contact Area And Solder Tail Area, All of Nickel Plated
5	Transfer Spring [5]	1	Phosphor bronze, 0.20t	
7	Shell	1	Phosphor bronze, 0.20t	Nickel Plated
4	Ring spring [4]	1	Phosphor bronze, 0.20t	
3	Ring spring [3]	1	Phosphor bronze, 0.20t	Gold Flash On Contact Area Mottle Sn Plating on Solder Tail Area, All over Nickel Plated
2	Tip spring [2]	1	Phosphor bronze, 0.20t	
1	Earth spring [1]	1	Phosphor bronze, 0.20t	

ECN NO.	REV	DATE	DESCRIPTION	CHANGE	APPRO.	GENERAL TOLERANCE UNLESS OTHERWISE NOTED	SCALE: 1:1	UNIT:mm	A4
	A-2	2019. 12. 09	修改MD塑胶粒高度	罗振强	刘伟	Angle ±2°	DESIGN	罗振强	2019. 12. 09
	A-1	2019. 08. 16	配合自动化生产, 修改唛拉形状	罗振强	刘伟	. x ±0.30	CHECK		
	A-0	2018. 11. 09	NEW	罗振强	李海鸥	. xx ±0.25	APPROVAL		
						. xxx ±0.10			

东莞市高迪电子有限公司		
CUSTOMER DRAWING	TITLE:	φ3.5mm PHONE JACK
	MODEL NO.	PJR-D3148B-ABK7AS02L-RH
	FILE NO.	Q/DY. QW-001A-0689
SHEET: 1 of 1		