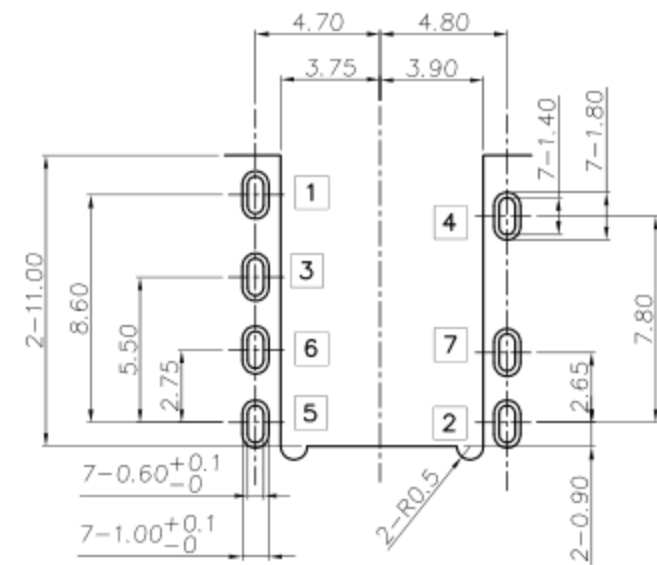
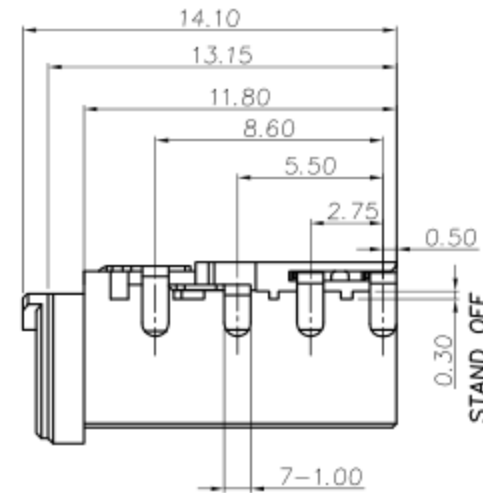
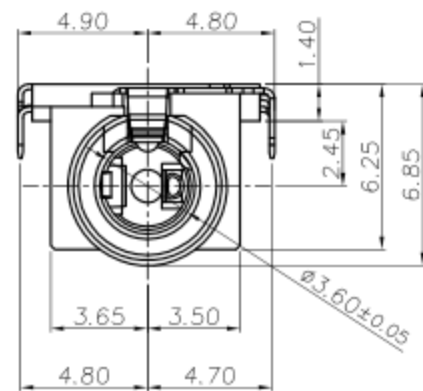
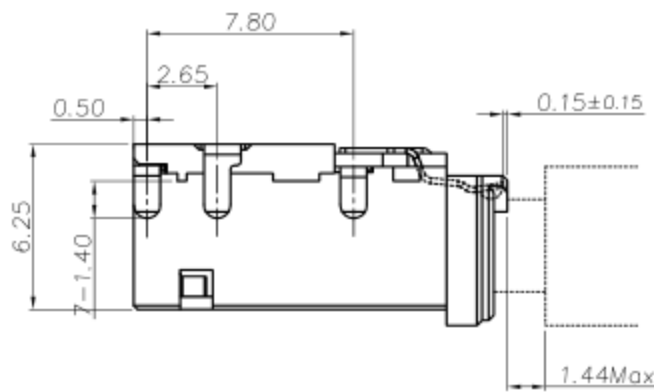
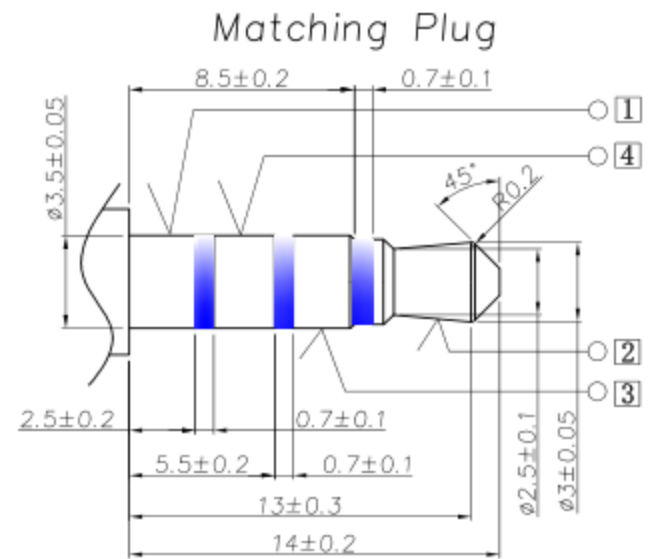
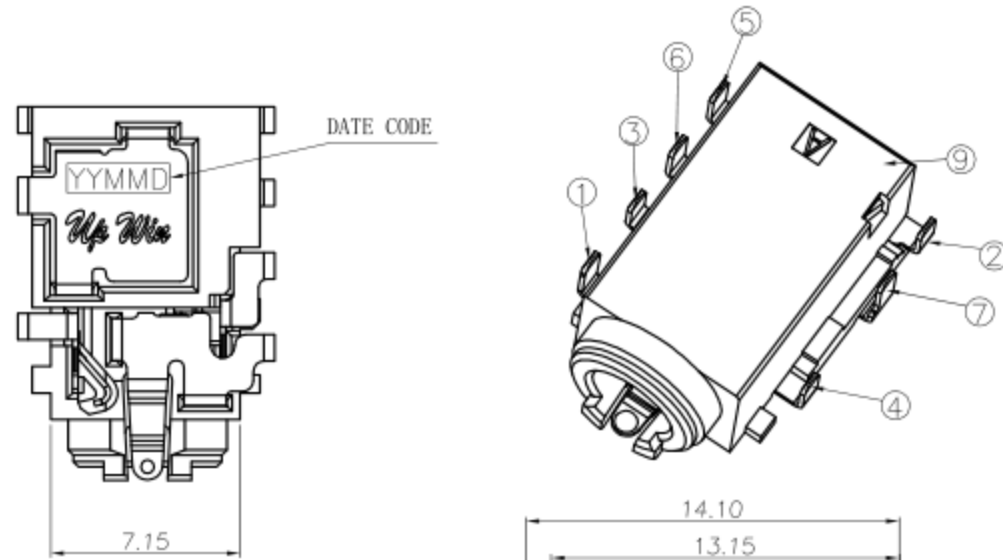


MODEL NO. :
PJR-D3145W-ABK7AS02L-RH
(1) (2)(3) (4)(5)(6)

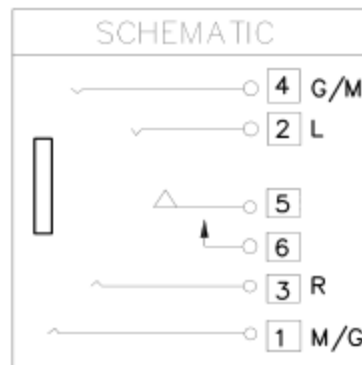
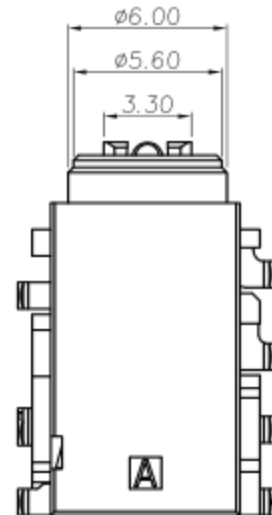
- (1) Series no.
- (2) Schematic type:
A, Matching 4Pole Plug.
- (3) Housing color:
BK7=Black.
- (4) Terminal plating:
AS02=Plating Gold Flash.
- (5) Packing mode:
L=Reel packing.
- (6) Environmental requirements:
RH=RoHS 2.0 + Halogen Free.



RECOMMENDED P.C.B LAYOUT (t=1.0mm)
TOP VIEW (TOLRANCE: ±0.05)

SPECIFICATION:

- 1. Electrical characteristics
 - 1-1. Current rating: DC 0.5A max.
 - 1-2. Voltage rating: DC 30V.
 - 1-3. Contact resistance: 50mΩ max.
 - 1-4. Insulation resistance: 100MΩ min. at 500V DC.
 - 1-5. Withstanding voltage: 500V AC for 1 minute.
- 2. Mechanical characteristics
 - 2-1. Life test: 5000 cycles min.
 - 2-2. Mating force: 3~30N,
Unmating force: 3~30N.



9	Housing	1	High Temperature Plastic	Black
8	Insulator	1	High Temperature Plastic	Black
6	Shunt terminal [6]	1	Phosphor bronze, 0.20t	Gold Flash On Contact Gold Flash On Solder Tail Area, Nickel UnderPlated
5	Transfer Spring [5]	1	Phosphor bronze, 0.20t	
7	Shell	1	Phosphor bronze, 0.20t	Nickel Plated
4	Ring spring [4]	1	Phosphor bronze, 0.20t	
3	Ring spring [3]	1	Phosphor bronze, 0.20t	Gold Flash On Contact Area Tin Plating on Solder Tail Area, All over Nickel Plated
2	Tip spring [2]	1	Phosphor bronze, 0.20t	
1	Earth spring [1]	1	Phosphor bronze, 0.20t	
NO.	DESCRIPTION	QTY	MATERIAL	REMARK

					Angle	±2°	DESIGN	罗振强	2018.03.19
					.x	±0.30	CHECK		
					.xx	±0.25	APPROVAL		
	A-0	2018.03.19	NEW	罗振强	李海鸥	.xxx			
ECN NO.	REV	DATE	DESCRIPTION	CHANGE	APPRO.	GENERAL TOLERANCE UNLESS OTHERWISE NOTED	SCALE: 1:1	UNIT:mm	A4

东莞市高迪电子有限公司

CUSTOMER DRAWING	TITLE:	ø3.5mm PHONE JACK
	MODEL NO.	PJR-D3145W-ABK7AS02L-RH
	FILE NO.	Q/DY. QW-001A-0627