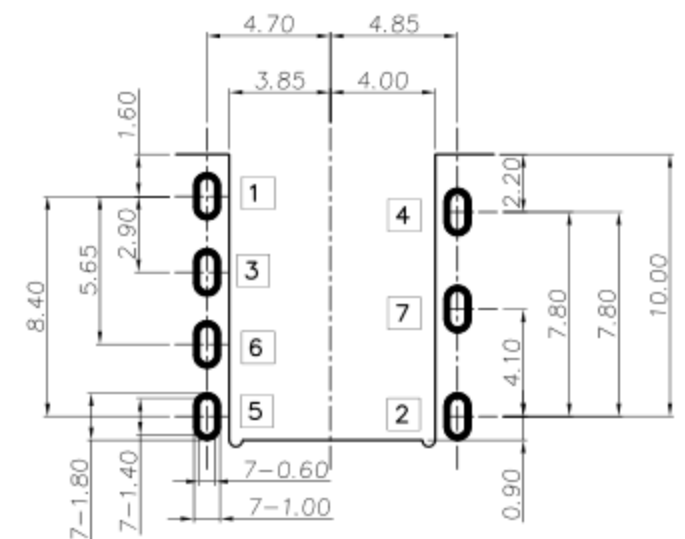
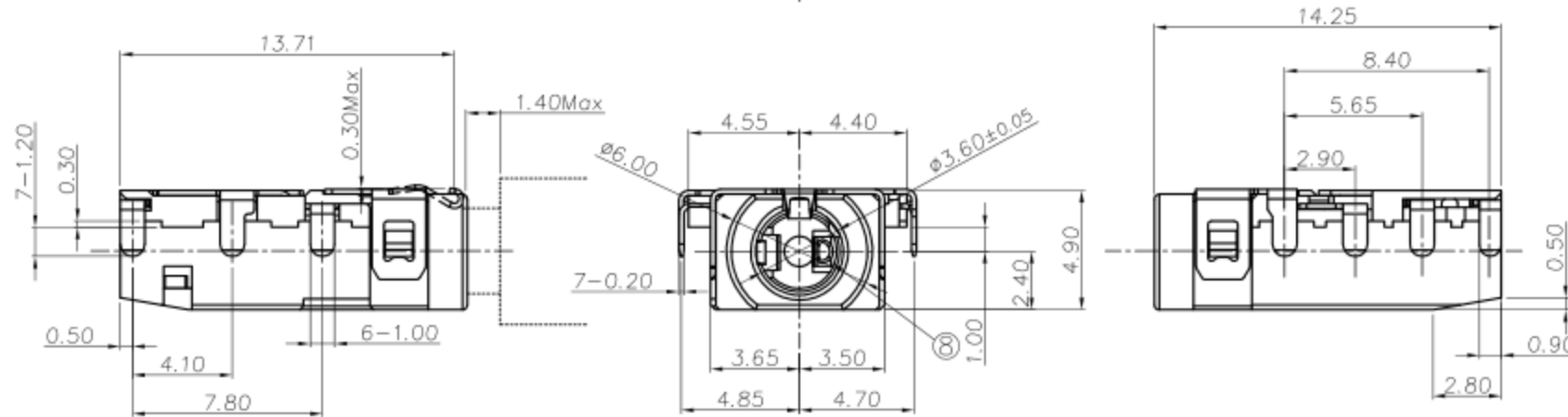
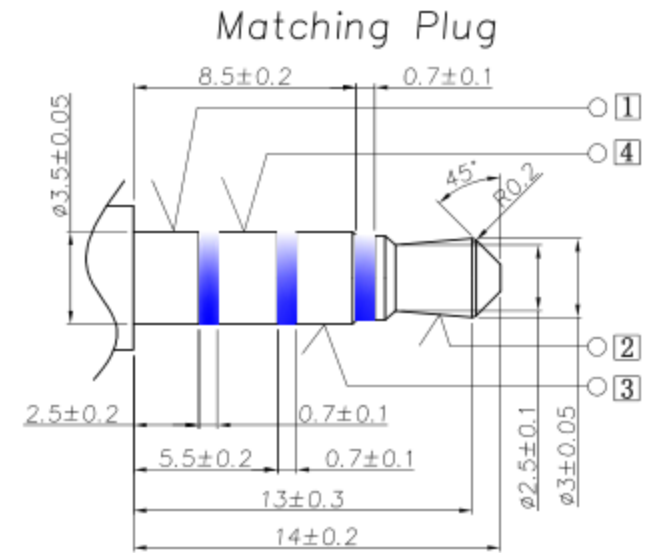
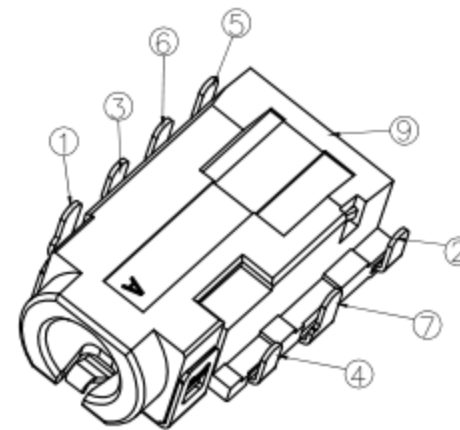
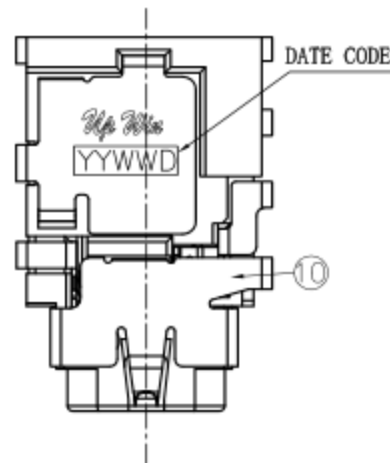


MODEL NO. :

PJR-D3145Q-ABK7AS02L-RH

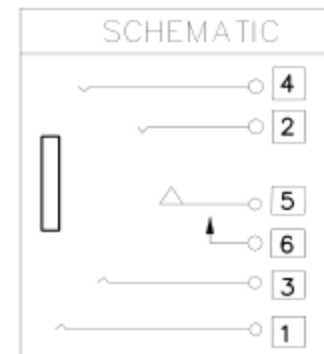
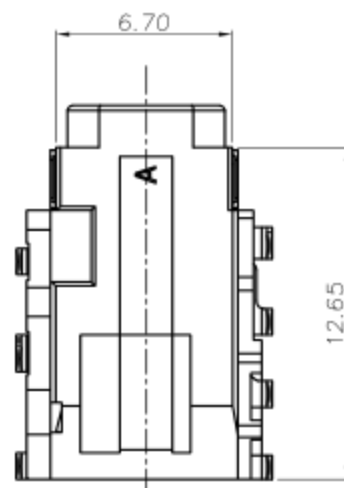
(1) (2) (3) (4) (5) (6)

- (1) Series no.
- (2) Schematic type: A
- (3) Housing color:  
BK7=Black
- (4) Terminal plating:  
AS02=Plating Gold Flash.
- (5) Packing mode:L=Reel packing
- (6) Environmental requirements:  
RH=RoHS 2.0 + Halogen Free



SPECIFICATION:

- 1. Electrical characteristics
  - 1-1. Current rating:DC 0.5A max.
  - 1-2. Voltage rating:DC 30V.
  - 1-3. Contact resistance:50mΩ max.
  - 1-4. Insulation resistance:100MΩ min. at 500V DC.
  - 1-5. Withstanding voltage:500V AC for 1 minute.
- 2. Mechanical characteristics
  - 2-1. Life test:5000 cycles min,
  - 2-2. Mating force:3~30N,  
Unmating force:3~30N.



NO.	DESCRIPTION	QTY	MATERIAL	REMARK
9	Housing	1	HIGH TEMPERATURE PLASTIC	Black
8	Insulator	1	HIGH TEMPERATURE PLASTIC	Black
6	Shunt terminal	1	Phosphor bronze, 0.20t	Gold Flash On Contact And Solder Tail Area, All over 50u" Min Nickel Plated
5	Transfer Spring	1	Phosphor bronze, 0.20t	
7	Shell	1	Phosphor bronze, 0.20t	50u" Min Nickel Plated
4	Ring spring	1	Phosphor bronze, 0.20t	Gold Flash On Contact Area, 80u"Min matte tin Plating on Solder Tail Area, All over 50u" Min Nickel Plated
3	Ring spring	1	Phosphor bronze, 0.20t	
2	Tip spring	1	Phosphor bronze, 0.20t	
1	Earth spring	1	Phosphor bronze, 0.20t	

ECN NO.	REV	DATE	DESCRIPTION	CHANGE	APPRO.	GENERAL TOLERANCE UNLESS OTHERWISE NOTED	SCALE: 1:1	UNIT:mm	A4
	A-0	2018. 09. 29	NEW	罗振强	李海鸥	Angle ±2° . x ±0.35 . xx ±0.25 . xxx ±0.10	DESIGN 罗振强 2018. 09. 29		
							CHECK		
							APPROVAL		

<b>东莞市高迪电子有限公司</b>	
CUSTOMER DRAWING	TITLE: φ3.5mm PHONE JACK
	MODEL NO. PJR-D3145Q-ABK7AS02L-RH
SHEET: 1 of 2	FILE NO. Q/DY. QW-001A-0684