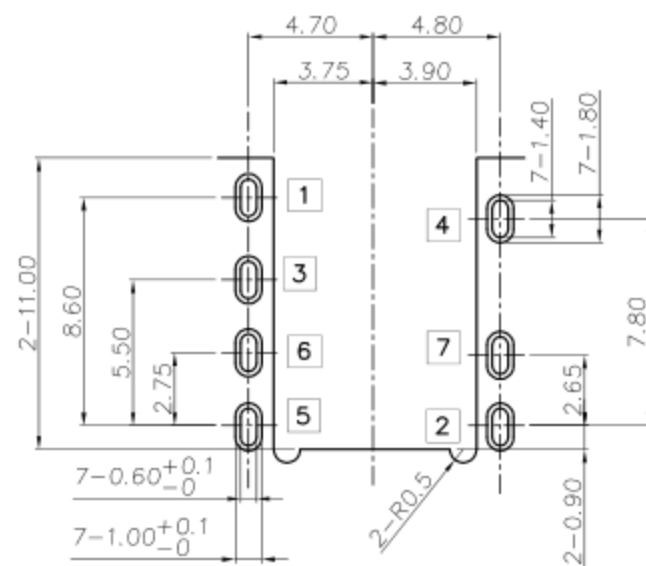
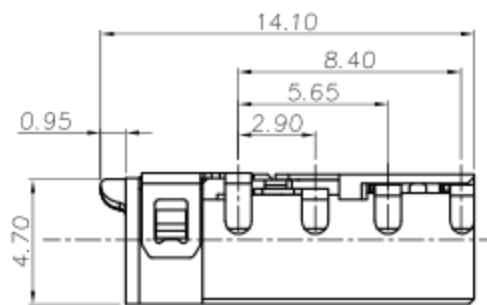
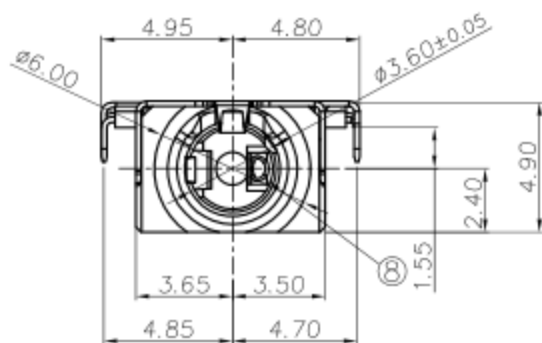
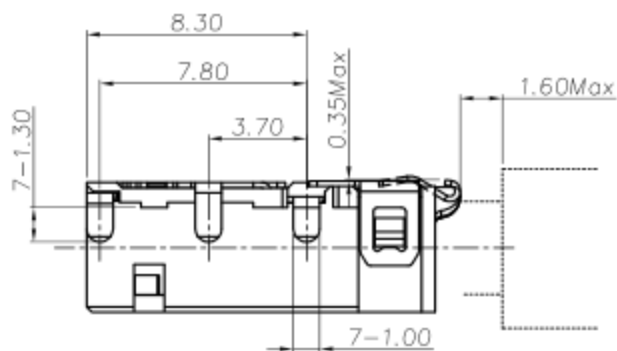
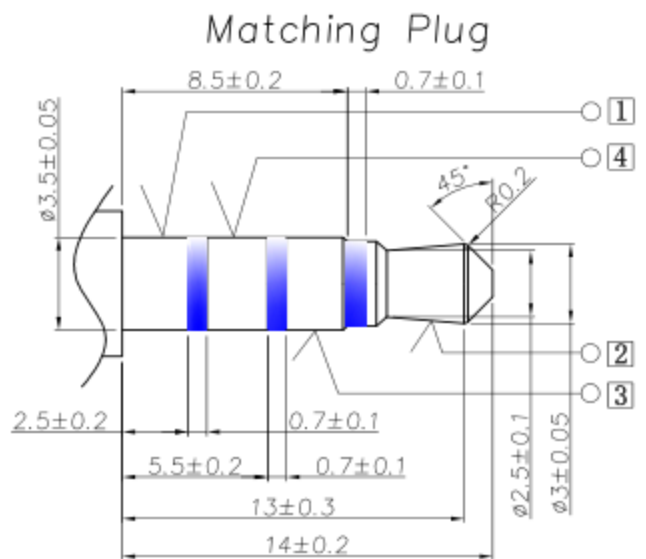
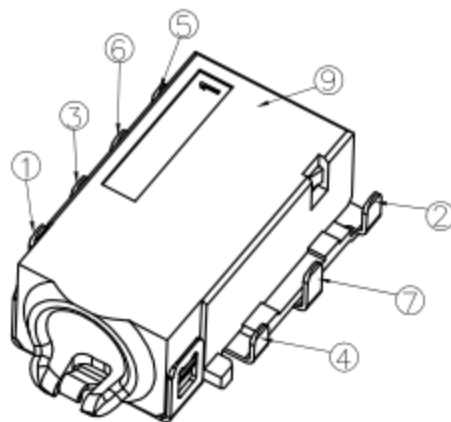
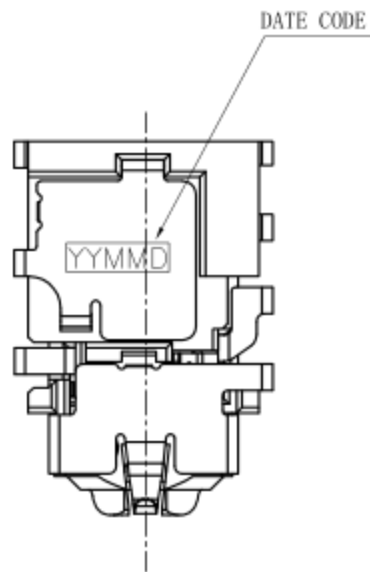


MODEL NO. :  
PJR-D3145E-ABK7AS02L-RH  
(1) (2)(3) (4) (5) (6)

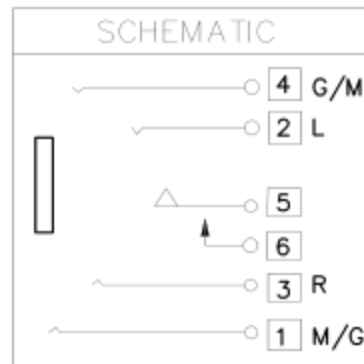
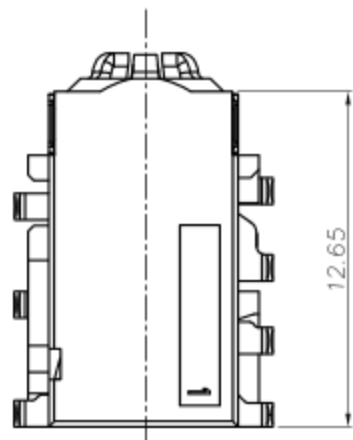
- (1) Series no.
- (2) Schematic type: A
- (3) Housing color:  
BK7=Black.
- (4) Terminal plating:  
AS02=Gold Flash/Matte Tin.
- (5) Packing mode:  
L=Reel packing.
- (6) Environmental requirements:  
RH=RoHS 2.0 + Halogen Free.



RECOMMENDED P. C. B LAYOUT (t=1.0mm)  
TOP VIEW (TOLRANCE: ±0.05)

SPECIFICATION:

1. Electrical characteristics
  - 1-1. Current rating: DC 0.5A max.
  - 1-2. Voltage rating: DC 30V.
  - 1-3. Contact resistance: 50m Ω max.
  - 1-4. Insulation resistance: 100M Ω min. at 500V DC.
  - 1-5. Withstanding voltage: 500V AC for 1 minute.
2. Mechanical characteristics
  - 2-1. Life test: 5000 cycles min.
  - 2-2. Mating force: 3~30N,  
Unmating force: 3~30N.



9	Housing	1	HIGH TEMPERATURE PLASTIC	Black
8	Insulator	1	HIGH TEMPERATURE PLASTIC	Black
6	Shunt terminal [6]	1	Phosphor bronze, 0.20t	Gold Flash On Contact And Solder Tail Area, Nickel UnderPlated
5	Transfer Spring [5]	1	Phosphor bronze, 0.20t	
7	Shell	1	Phosphor bronze, 0.20t	Nickel Plated
4	Ring spring [4]	1	Phosphor bronze, 0.20t	
3	Ring spring [3]	1	Phosphor bronze, 0.20t	Gold Flash On Contact Area Matte Tin Plating on Solder Tail Area , All over Nickel Plated
2	Tip spring [2]	1	Phosphor bronze, 0.20t	
1	Earth spring [1]	1	Phosphor bronze, 0.20t	
NO.	DESCRIPTION	QTY	MATERIAL	REMARK

						Angle	±2°	DESIGN	罗振强	2019. 12. 13
						. x	±0.30	CHECK		
	A-1	2019. 12. 13	优化3#PIN端子外形, 防止与1#接触不良	罗振强	刘伟	. xx	±0.20	APPROVAL		
	A-0	2017. 02. 15	NEW	罗振强	刘伟	. xxx	±0.10			
ECN NO.	REV	DATE	DESCRIPTION	CHANGE	APPRO.	GENERAL TOLERANCE UNLESS OTHERWISE NOTED		SCALE: 1:1	UNIT:mm	A4

东莞市高迪电子有限公司

CUSTOMER DRAWING  
TITLE: φ3.5mm PHONE JACK  
MODEL NO. PJR-D3145E-ABK7AS02L-RH  
FILE NO. Q/DY. QW-001A-XXXX