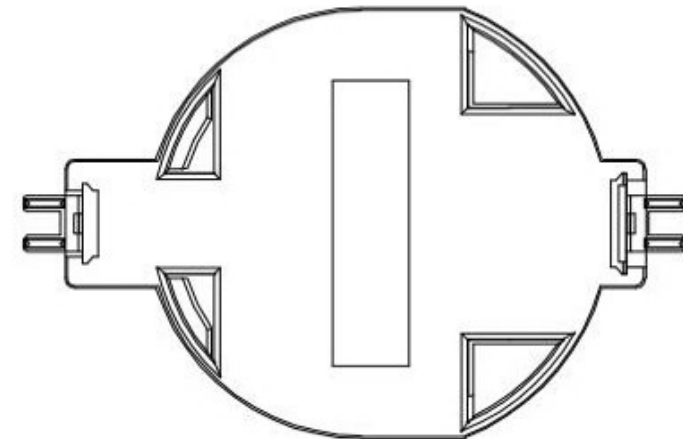
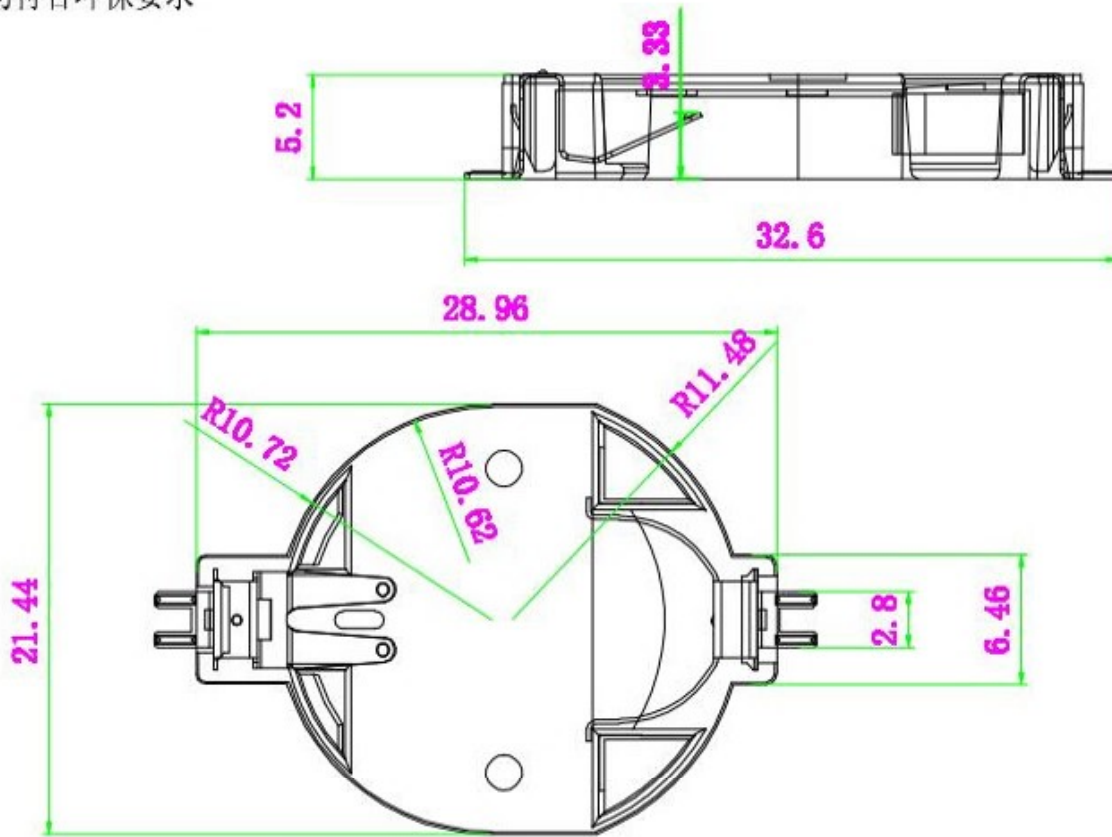


CUSTOMER DRAWING

所有物质均符合环保要求



NOTE:

1. MATERIAL:

- a. HOUSING: THERMOPLASTIC GLASS FIBRE UL94V-0
- b. CONTACT: BRASS

2. ELECTRIC:

- a. CONTACT RESISTANCE: 30 MILLIOHMS MAX
- b. INSULATION RESISTANCE: 1000 MEGA OHMS MIN
- c. DIELECTRIC VOLTAGE: 750V AC ONE SEC LEVEL
- d. OPERATING TEMPERATURE: -55 ~ C ~ +85 ~ C

③	SPRING	1	STAINLESS STEEL	Ni PLATED	
②	TERMINAL	1	COPPER ALLOY	Au PLATED	
①	Housing	1	HIGH TEMP	Black	
NO.	PART NAME	QTY	MATERIAL	DESCRIPTION	REMARK

UNLESS OTHERWISE,  
GENERAL TOLERANCE:  
X.xxx ±0.10  
X.xx ±0.20  
X.x ±0.30  
X. ±0.38  
ANGULAR:  
X.xx ±1°  
X.x ±3°  
X. ±5°

**东莞市高迪电子有限公司**

TITLE: 电池座卧式  
客户图

P/N:  
MODEL:  
DRAW NO.:

THIRD ANGLE PROJECTION

UNIT: mm  
SCALE: 1:1  
SIZE: A4  
SHEET: 1/1

JH2016-061	E	修改图面与实物相符	2016.05.31	BIn	DESIGN	陈少兵	2016.05.31	
	D	更新图面	2015.09.23	陈少兵	CHECK	郑小伟	2016.05.31	
	C	调整尺寸公差	2013.07.04	陈少兵	APPROVAL	吕海清	2016.05.31	
ECN NO.	REV.	DESCRIPTION	DATE	CHANGE	APPROVAL			