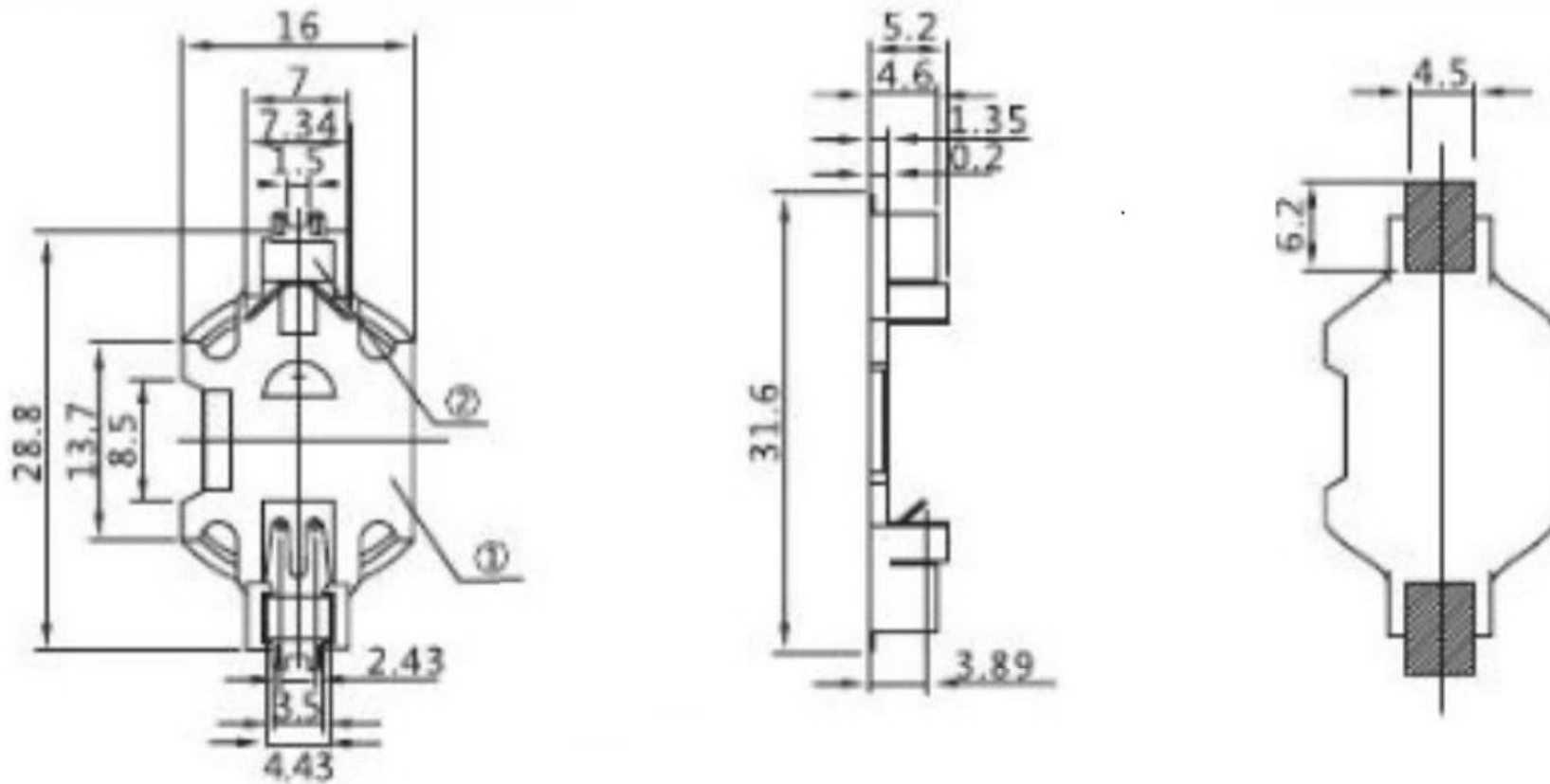


所有物质均符合环保要求



NOTE:

- MATERIAL:
 - a. HOUSING: THERMOPLASTIC GLASS FIBRE UL94V-0 【塑胶材质】PPA料 (耐温240°-260°)
 - b. CONTACT: BRASS 【五金材质】磷青铜
- ELECTRIC:
 - a. CONTACT RESISTANCE: 30 MILLIOHMS MAX 【电镀处理方式】Au1 μ''
 - b. INSULATION RESISTANCE: 1000 MEGA OHMS MIN 【适用范围】医疗设备、数码玩具、工控主板、消防等
 - c. DIELECTRIC VOLTAGE: 750V AC ONE SEC LEVEL 【装箱规格】100只x25层=2500只 (吸塑包装)
 - d. OPERATING TEMPERATURE: -55 ~C ~ +85 ~C

2500只x2捆=5000只每箱

NO.	PART NAME	QTY	MATERIAL	DESCRIPTION	REMARK
③	SPRING	1	STAINLESS STEEL	Ni PLATED	
②	TERMINAL	1	COPPER ALLOY	Au PLATED	
①	Housing	1	HIGH TEMP	Black	

UNLESS OTHERWISE,
GENERAL TOLERANCE:
X.xxx ±0.10
X.xx ±0.20
X.x ±0.30
X. ±0.38
ANGULAR:
X.xx ±1°
X.x ±3°
X. ±5°

东莞市高迪电子有限公司

TITLE: 电池座卧式		P/N:	
客户图		MODEL:	
DRAW NO.:			
THIRD ANGLE PROJECTION	UNIT: mm	SCALE: 1:1	SIZE: A4
			SHEET: 1/1

ECN NO.	REV.	DESCRIPTION	DATE	CHANGE	APPROVAL	DATE
JH2016-061	E	修改图面与实物相符	2016.05.31	BIn	DESIGN 陈少兵	2016.05.31
	D	更新图面	2015.09.23	陈少兵	CHECK 郑小伟	2016.05.31
	C	调整尺寸公差	2013.07.04	陈少兵	APPROVAL 吕海涛	2016.05.31