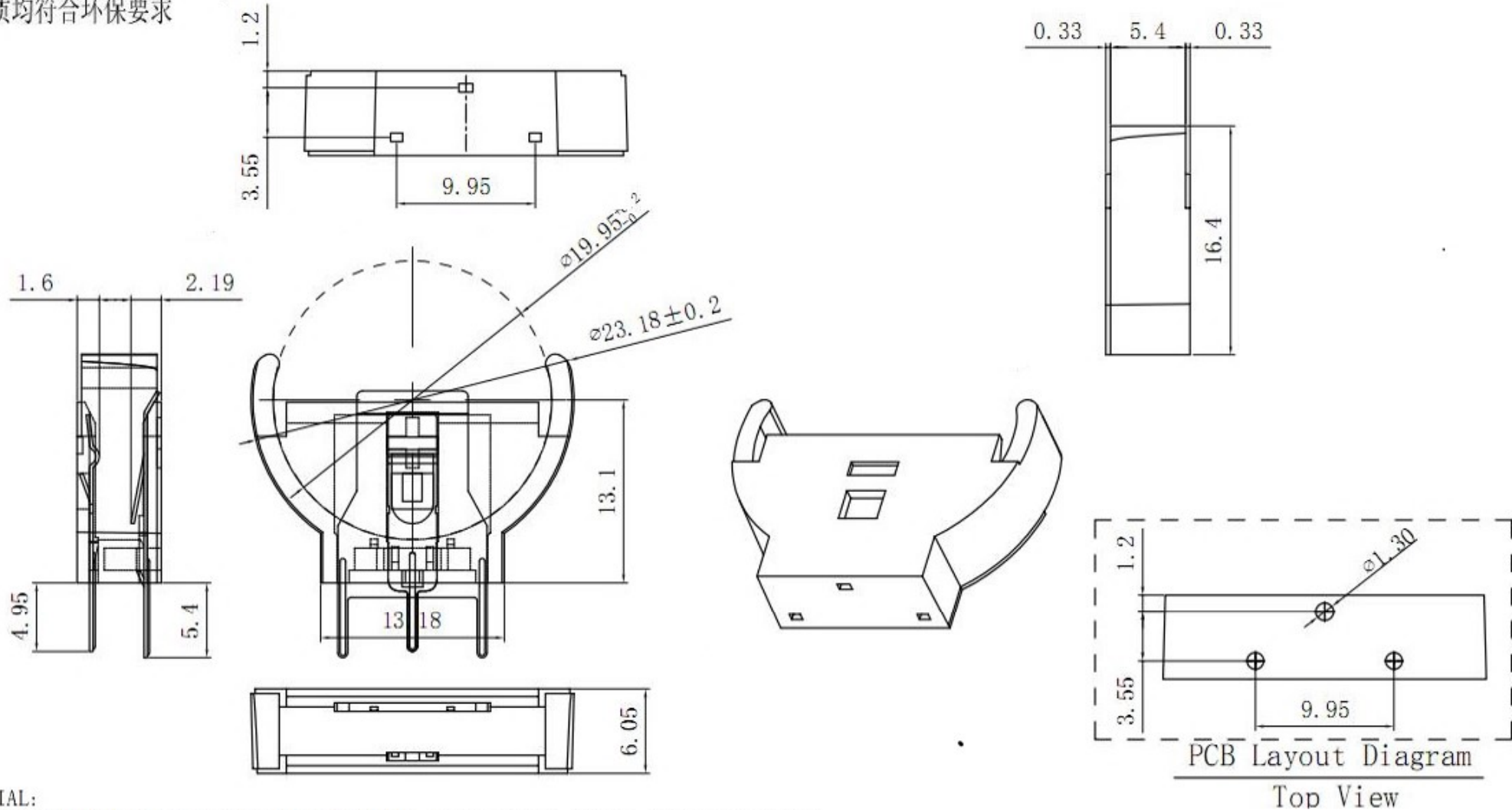


CUSTOMER DRAWING

所有物质均符合环保要求



NOTE:

1. MATERIAL:
  - a. HOUSING: THERMOPLASTIC GLASS FIBRE UL94V-0 【塑胶材质】PPA料 (耐温240°-260°)
  - b. CONTACT: BRASS 【五金材质】磷青铜
2. ELECTRIC:
  - a. CONTACT RESISTANCE: 30 MILLIOHMS MAX 【电镀处理方式】Au1 μ''
  - b. INSULATION RESISTANCE: 1000 MEGA OHMS MIN 【适用范围】医疗设备、数码玩具、工控主板、消防等
  - c. DIELECTRIC VOLTAGE: 750V AC ONE SEC LEVEL 【装箱规格】100只x25层=2500只 (吸塑包装)
  - d. OPERATING TEMPERATURE: -55 ~ C ~ +85 ~ C 2500只x2捆=5000只每箱

NO.	PART NAME	QTY	MATERIAL	DESCRIPTION	REMARK
③	SPRING	1	STAINLESS STEEL	Ni PLATED	
②	TERMINAL	1	COPPER ALLOY	Au PLATED	
①	Housing	1	HIGH TEMP	Black	

UNLESS OTHERWISE,  
GENERAL TOLERANCE:  
X.xxx ±0.10  
X.xx ±0.20  
X.x ±0.30  
X. ±0.38  
ANGULAR:  
X.xx ±1°  
X.x ±3°  
X. ±5°

**东莞市高迪电子有限公司**

TITLE: 电池座卧式  
客户图

P/N:  
MODEL:  
DRAW NO.:

THIRD ANGLE PROJECTION

UNIT:	SCALE:	SIZE:	SHEET:
mm	1:1	A4	1/1

JH2016-061	REV.	DESCRIPTION	DATE	CHANGE	APPROVAL	DATE
E		修改图面与实物相符	2016.05.31	BIn	DESIGN 陈少兵	2016.05.31
D		更新图面	2015.09.23	陈少兵	CHECK 郑小伟	2016.05.31
C		调整尺寸公差	2013.07.04	陈少兵	APPROVAL 吕海涛	2016.05.31