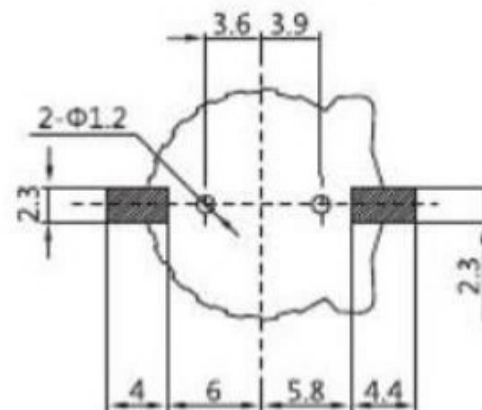
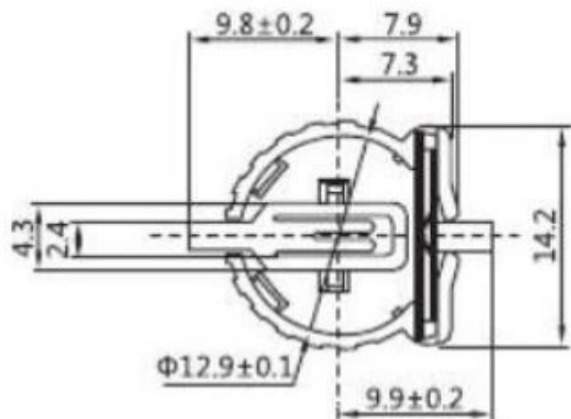
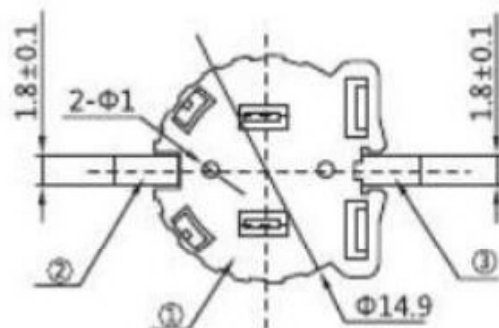
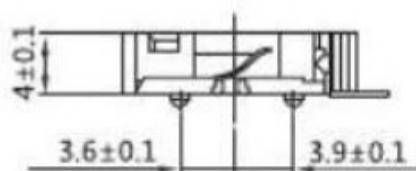


所有物质均符合环保要求



PCB HOLES DIAGRAM  
TOP VIEW



NOTE:

1. MATERIAL:

- a. HOUSING: THERMOPLASTIC GLASS FIBRE UL94V-0
- b. CONTACT: BRASS

2. ELECTRIC:

- a. CONTACT RESISTANCE: 30 MILLIOHMS MAX
- b. INSULATION RESISTANCE: 1000 MEGA OHMS MIN
- c. DIELECTRIC VOLTAGE: 750V AC ONE SEC LEVEL
- d. OPERATING TEMPERATURE: -55 ~ C ~ +85 ~ C

【塑胶材质】PPA料 (耐温240°-260°)

【五金材质】磷青铜

【电镀处理方式】Au1 μ''

【适用范围】医疗设备、数码玩具、工控主板、消防等

【装箱规格】100只x25层=2500只 (吸塑包装)

2500只x2捆=5000只每箱

③	SPRING	1	STAINLESS STEEL	Ni PLATED	
②	TERMINAL	1	COPPER ALLOY	Au PLATED	
①	Housing	1	HIGH TEMP	Black	
NO.	PART NAME	QTY	MATERIAL	DESCRIPTION	REMARK

UNLESS OTHERWISE,  
GENERAL TOLERANCE:

X.xxx ±0.10  
X.xx ±0.20  
X.x ±0.30  
X. ±0.38

ANGULAR:

X.xx ±1°  
X.x ±3°  
X. ±5°

东莞市高迪电子有限公司

TITLE: 电池座卧式

客户图

P/N:

MODEL:

DRAW NO.:

THIRD ANGLE PROJECTION



UNIT:

mm

SCALE:

1:1

SIZE:

A4

SHEET:

1/1

JH2016-061	E	修改图面与实物相符	2016.05.31	Bin	DESIGN	陈少兵	2016.05.31	
	D	更新图面	2015.09.23	陈少兵	CHECK	郑小伟	2016.05.31	
	C	调整尺寸公差	2013.07.04	陈少兵	APPROVAL	吕海涛	2016.05.31	
ECN NO.	REV.	DESCRIPTION	DATE	CHANGE	APPROVAL			