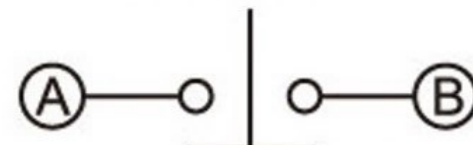
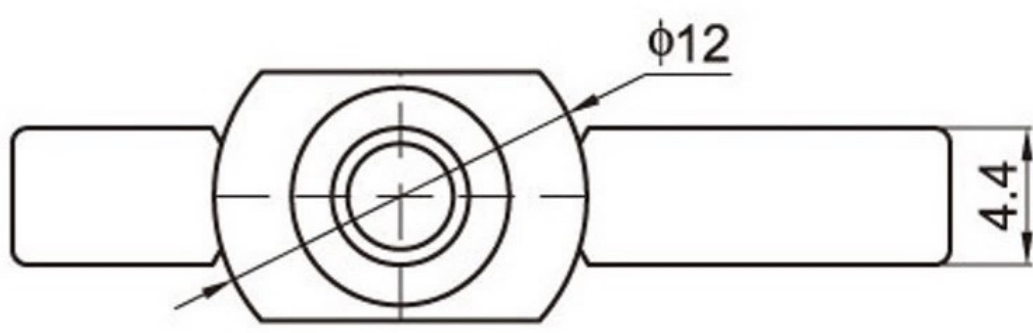
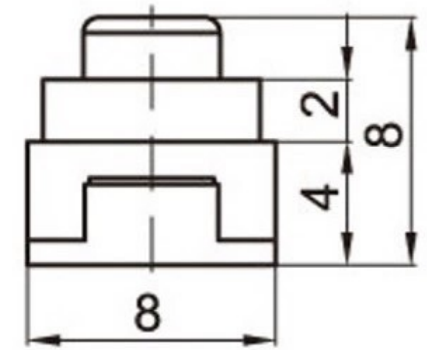


ON-OFF



电路简图



注：“\*”□表示关键尺寸(3个).

|     |           |                    |      |                |                              |       |           |                          |           |
|-----|-----------|--------------------|------|----------------|------------------------------|-------|-----------|--------------------------|-----------|
| 8   |           |                    |      |                | TOLERANCE                    |       |           |                          |           |
| 7   |           |                    |      |                | UNLESS SPECIFIED             |       |           |                          |           |
| 6   |           |                    |      |                | WITHIN 1.5mm : ±0.1mm        | A     | 2012-8-13 | 初版                       |           |
| 5   | SPRING    | SUS                | 1    | NATURAL        | OVER 1.5mm : ±0.2mm          | ISSUE | DATE      | DESCRIPTIONS OF REVISION |           |
| 4   | CAM STICK | SUS                | 1    | NATURAL        | TITLE : VERTICAL PUSH SWITCH |       |           | UNIT : mm                | DRWG NO.: |
| 3   | CASE      | PA66/BRASS STRIP   | 1    | GREY/Ag PLATED | MODEL:                       |       |           | SCALE: 5:1               | DWN.      |
| 2   | COVER     | PA66               | 1    | BLACK          | 东莞市高迪电子有限公司                  |       |           |                          | 2012-8-13 |
| 1   | KNOB      | PA66/PBS C5210R-EH | 1    | WHITE/Ag CLAD  |                              |       |           |                          | 2012-8-13 |
| NO. | PARTS     | MATERIALS          | Q'TY |                |                              |       |           | CHK'D                    |           |
|     |           |                    |      |                |                              |       |           | APPD.                    |           |