

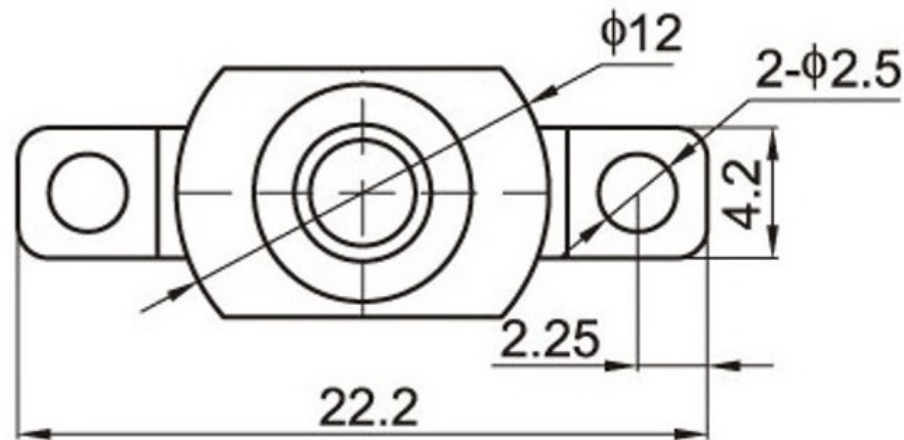
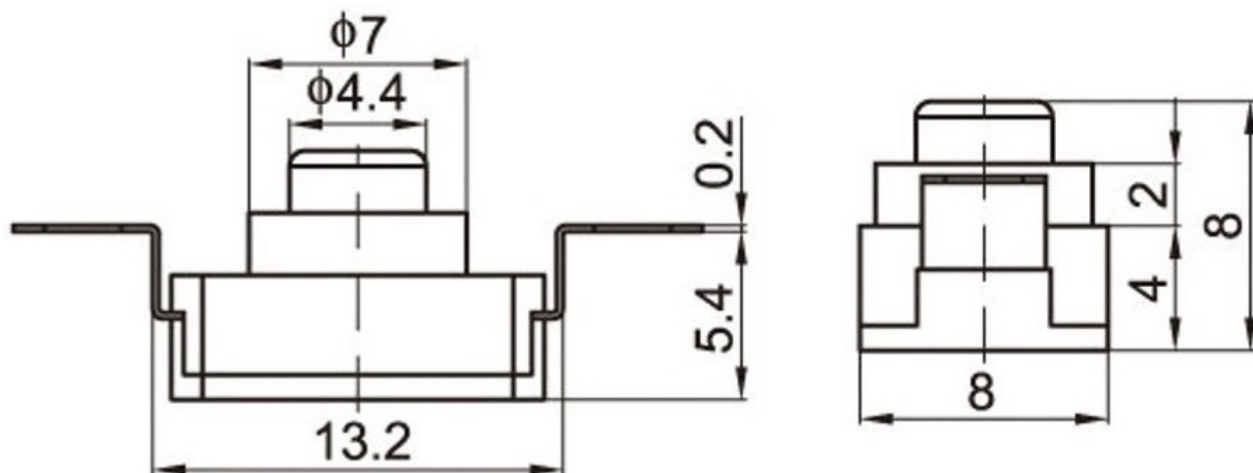
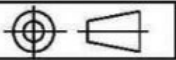
ON-OFF



电路简图

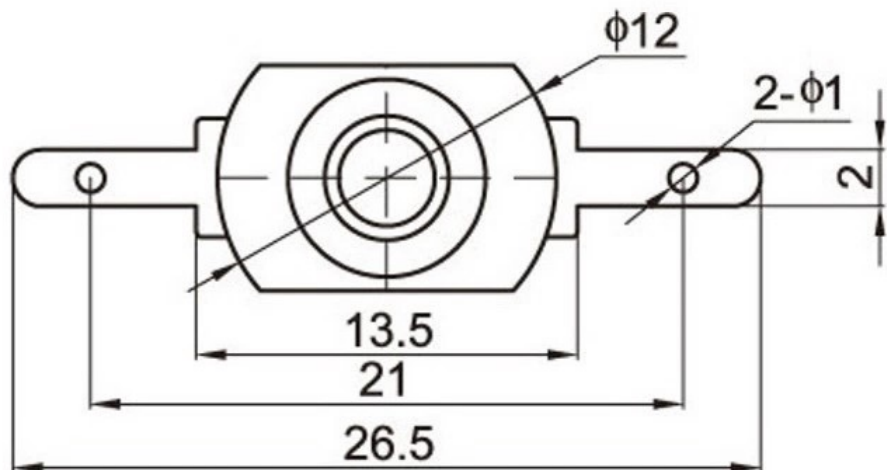
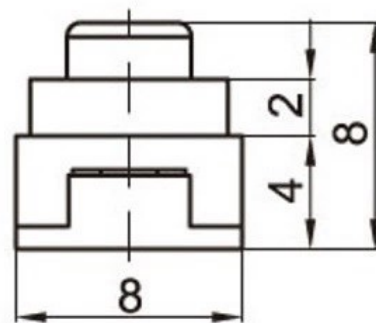
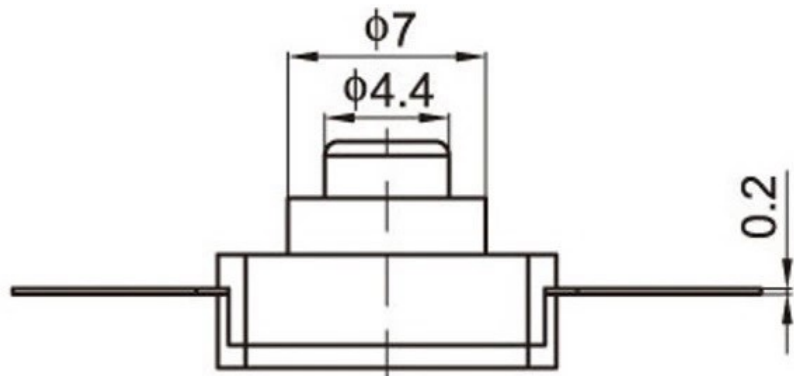
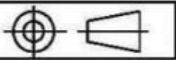
注：“\*”□表示关键尺寸(3个).

				TOLERANCE					
				UNLESS SPECIFIED					
				WITHIN 1.5mm : ±0.1mm	A	2012-8-13	初版		
				OVER 1.5mm : ±0.2mm	ISSUE	DATE	DESCRIPTIONS OF REVISION		APPD.
8				TITLE : VERTICAL PUSH SWITCH		UNIT : mm	DRWG NO.:		
7				MODEL:		SCALE: 5:1	DWN.		2012-8-13
6				东莞市高迪电子有限公司			CHK'D		2012-8-13
5	SPRING	SUS	1				NATURAL	APPD.	
4	CAM STICK	SUS	1	NATURAL					
3	CASE	PA66/BRASS STRIP	1	GREY/Ag PLATED					
2	COVER	PA66	1	BLACK					
1	KNOB	PA66/PBS C5210R-EH	1	WHITE/Ag CLAD					
NO.	PARTS	MATERIALS	Q'TY						



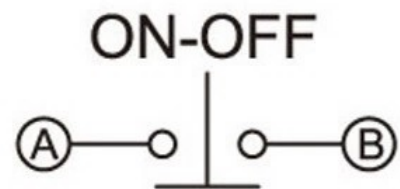
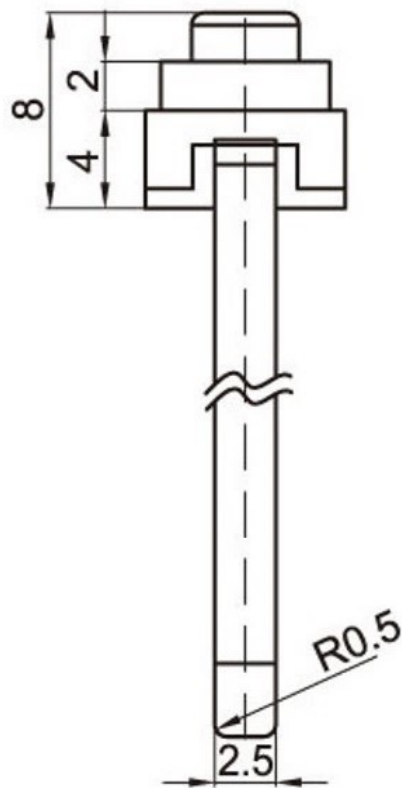
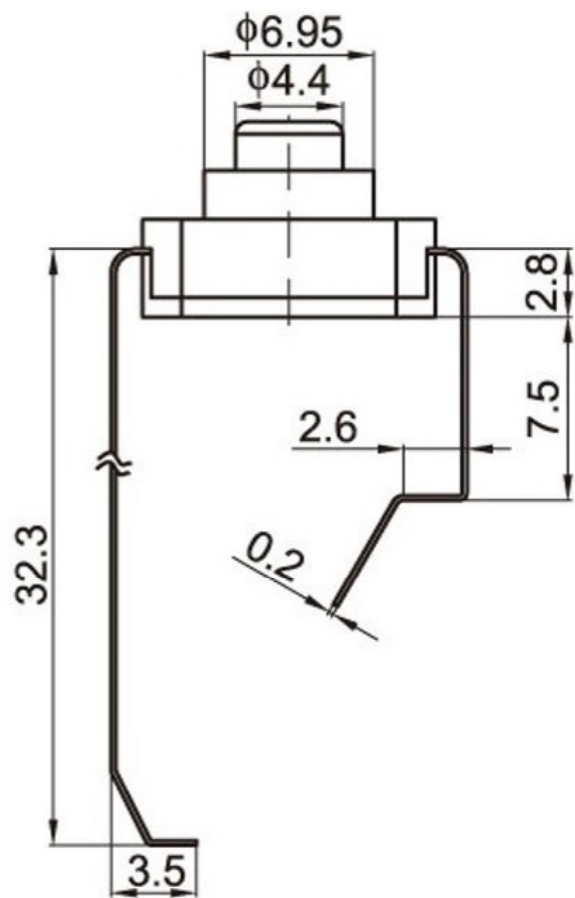
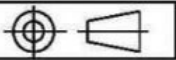
注："\*"□表示关键尺寸(3个).

				TOLERANCE UNLESS SPECIFIED					
8									
7									
6				WITHIN 1.5mm : ±0.1mm	A	2012-8-13	初版		
5	SPRING	SUS	1	NATURAL	ISSUE	DATE	DESCRIPTIONS OF REVISION		APPD.
4	CAM STICK	SUS	1	NATURAL	TITLE : VERTICAL PUSH SWITCH		UNIT : mm	DRWG NO.:	
3	CASE	PA66/BRASS STRIP	1	GREY/Ag PLATED	MODEL:		SCALE: 5:1	DWN.	2012-8-13
2	COVER	PA66	1	BLACK	东莞市高迪电子有限公司		CHK'D		2012-8-13
1	KNOB	PA66/PBS C5210R-EH	1	WHITE/Ag CLAD			APPD.		
NO.	PARTS	MATERIALS	Q'TY						

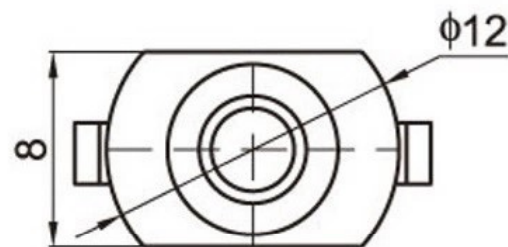


注：“\*”□表示关键尺寸(3个)。

				TOLERANCE					
				UNLESS SPECIFIED					
				WITHIN 1.5mm : ±0.1mm	A	2012-8-13	初版		
				OVER 1.5mm : ±0.2mm	ISSUE	DATE	DESCRIPTIONS OF REVISION		APPD.
5	SPRING	SUS	1	NATURAL	TITLE : VERTICAL PUSH SWITCH		UNIT : mm	DRWG NO.:	
4	CAM STICK	SUS	1	NATURAL	MODEL:		SCALE: 5:1	DWN.	2012-8-13
3	CASE	PA66/BRASS STRIP	1	GREY/Ag PLATED	东莞市高迪电子有限公司		CHK'D		2012-8-13
2	COVER	PA66	1	BLACK			APPD.		
1	KNOB	PA66/PBS C5210R-EH	1	WHITE/Ag CLAD					
NO.	PARTS	MATERIALS	Q'TY						



**SCHEMATIC (NON-SHORTING)**



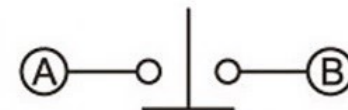
注：“\*”□表示关键尺寸(3个)。

NO.	PARTS	MATERIALS	Q'TY		TOLERANCE UNLESS SPECIFIED						
8											
7											
6					WITHIN 1.5mm : ±0.1mm	A	2012-8-13	初版			
5	SPRING	SUS	1	NATURAL	OVER 1.5mm : ±0.2mm	ISSUE	DATE	DESCRIPTIONS OF REVISION	APPD.		
4	CAM STICK	SUS	1	NATURAL	TITLE : VERTICAL PUSH SWITCH				UNIT : mm	DRWG NO.:	
3	CASE	PA66/BRASS STRIP	1	GREY/Ag PLATED	MODEL:				SCALE: 5:1	DWN.	2012-8-13
2	COVER	PA66	1	BLACK	东莞市高迪电子有限公司				CHK'D		
1	KNOB	PA66/PBS C5210R-EH	1	WHITE/Ag CLAD					APPD.		2012-8-13



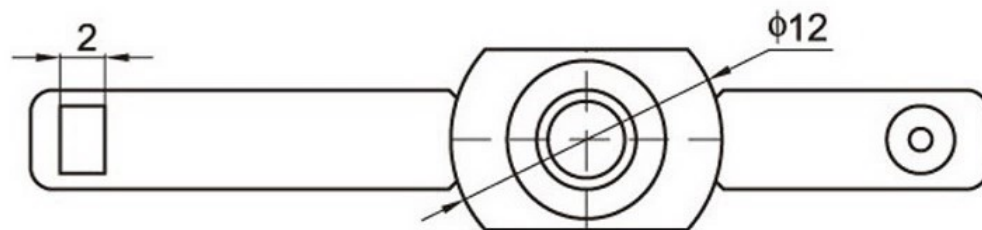
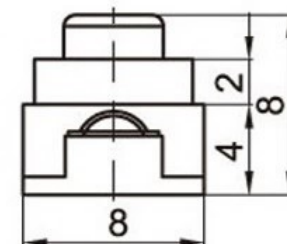
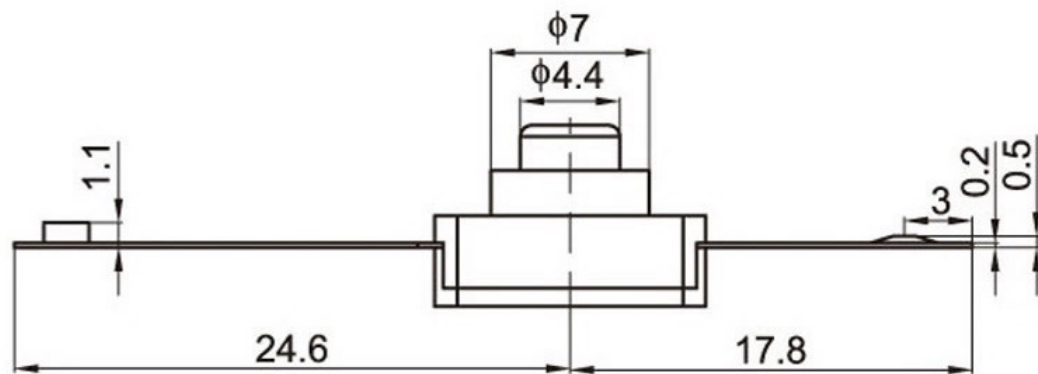


ON-OFF



电路简图

SCHEMATIC (NON-SHORTING)



注：“\*”□表示关键尺寸(3个)。

NO.	PARTS	MATERIALS	Q'TY		TOLERANCE UNLESS SPECIFIED				
8									
7									
6					WITHIN 1.5mm : ±0.1mm	A	2012-8-13	初版	
5	SPRING	SUS	1	NATURAL	OVER 1.5mm : ±0.2mm	ISSUE	DATE	DESCRIPTIONS OF REVISION	APPD.
4	CAM STICK	SUS	1	NATURAL	TITLE : VERTICAL PUSH SWITCH			UNIT : mm	DRWG NO.:
3	CASE	PA66/BRASS STRIP	1	GREY/Ag PLATED	MODEL:			SCALE: 5:1	DWN.
2	COVER	PA66	1	BLACK	东莞市高迪电子有限公司				2012-8-13
1	KNOB	PA66/PBS C5210R-EH	1	WHITE/Ag CLAD					2012-8-13
								CHK'D	
								APPD.	