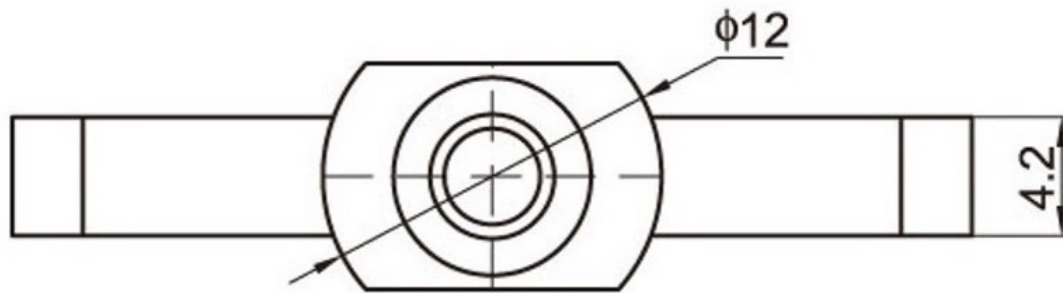
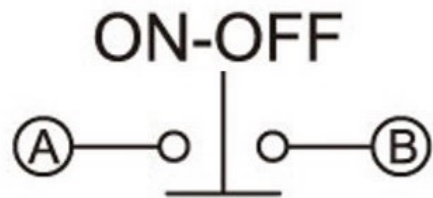
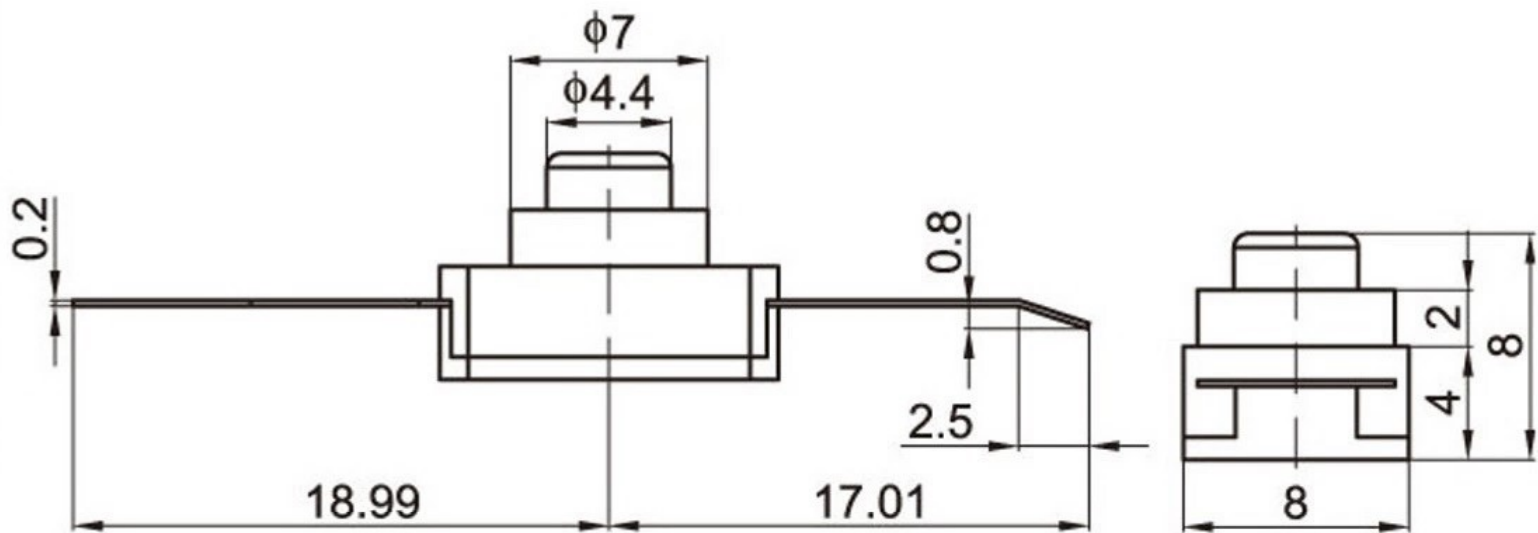
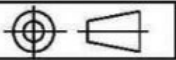


SCHEMATIC (NON-SHORTING)

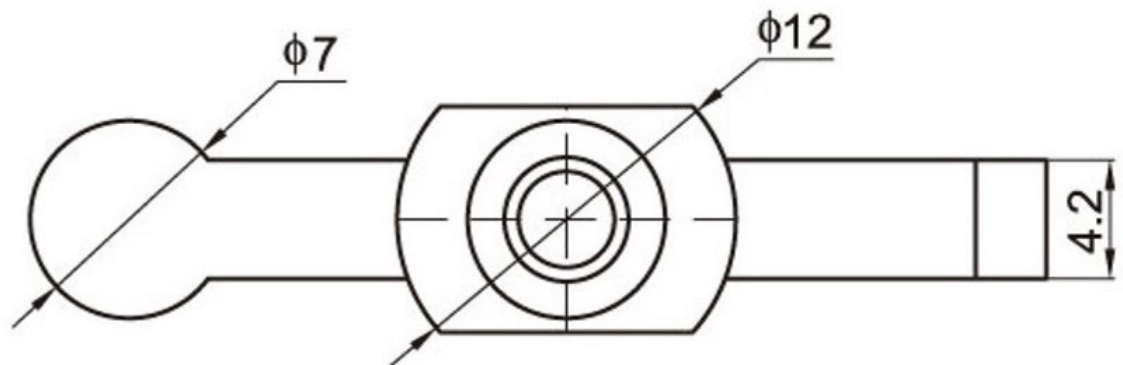


注：“\*”□表示关键尺寸(3个)。

| NO. | PARTS     | MATERIALS          | Q'TY | TOLERANCE<br>UNLESS SPECIFIED | ISSUE                        | DATE      | DESCRIPTIONS OF REVISION | APPD.     |
|-----|-----------|--------------------|------|-------------------------------|------------------------------|-----------|--------------------------|-----------|
| 8   |           |                    |      |                               |                              |           |                          |           |
| 7   |           |                    |      |                               |                              |           |                          |           |
| 6   |           |                    |      | WITHIN 1.5mm : ±0.1mm         | A                            | 2012-8-13 | 初版                       |           |
| 5   | SPRING    | SUS                | 1    | NATURAL                       | ISSUE                        | DATE      | DESCRIPTIONS OF REVISION | APPD.     |
| 4   | CAM STICK | SUS                | 1    | NATURAL                       | TITLE : VERTICAL PUSH SWITCH |           |                          | UNIT : mm |
| 3   | CASE      | PA66/BRASS STRIP   | 1    | GREY/Ag PLATED                | MODEL:                       |           |                          | DRWG NO.: |
| 2   | COVER     | PA66               | 1    | BLACK                         | SCALE: 5:1                   |           |                          | DWN.      |
| 1   | KNOB      | PA66/PBS C5210R-EH | 1    | WHITE/Ag CLAD                 | 东莞市高迪电子有限公司                  |           |                          | 2012-8-13 |
|     |           |                    |      | CHK'D                         |                              |           |                          |           |
|     |           |                    |      |                               |                              |           | APPD.                    |           |

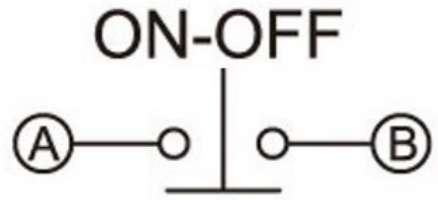
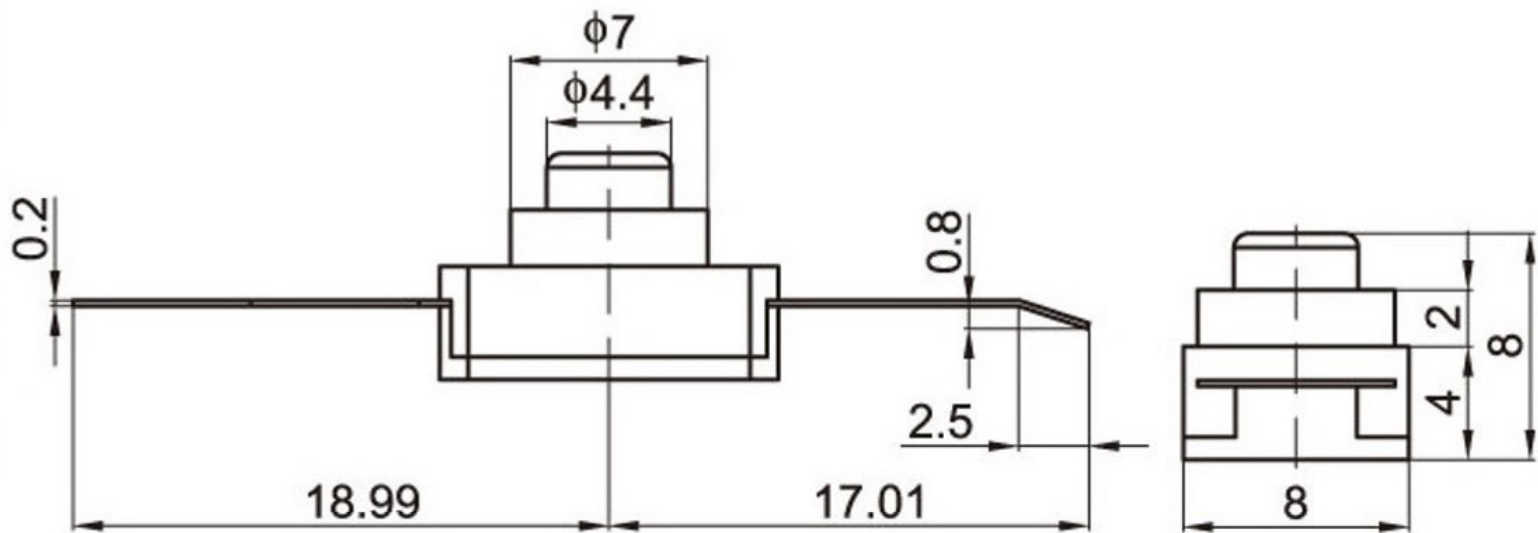
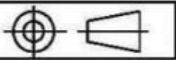


SCHEMATIC (NON-SHORTING)

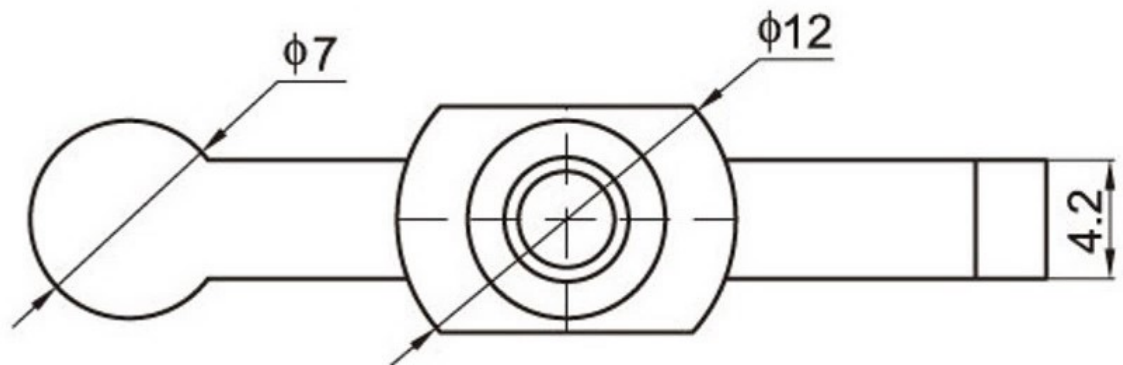


注：“\*”□表示关键尺寸(3个).

|     |           |                    |      |                |                              |       |           |                          |           |
|-----|-----------|--------------------|------|----------------|------------------------------|-------|-----------|--------------------------|-----------|
| 8   |           |                    |      |                | TOLERANCE                    |       |           |                          |           |
| 7   |           |                    |      |                | UNLESS SPECIFIED             |       |           |                          |           |
| 6   |           |                    |      |                | WITHIN 1.5mm : ±0.1mm        | A     | 2012-8-13 | 初版                       |           |
| 5   | SPRING    | SUS                | 1    | NATURAL        | OVER 1.5mm : ±0.2mm          | ISSUE | DATE      | DESCRIPTIONS OF REVISION |           |
| 4   | CAM STICK | SUS                | 1    | NATURAL        | TITLE : VERTICAL PUSH SWITCH |       |           | UNIT : mm                | DRWG NO.: |
| 3   | CASE      | PA66/BRASS STRIP   | 1    | GREY/Ag PLATED | MODEL:                       |       |           | SCALE: 5:1               | DWN.      |
| 2   | COVER     | PA66               | 1    | BLACK          | 东莞市高迪电子有限公司                  |       |           |                          | 2012-8-13 |
| 1   | KNOB      | PA66/PBS C5210R-EH | 1    | WHITE/Ag CLAD  |                              |       |           | CHK'D                    |           |
| NO. | PARTS     | MATERIALS          | Q'TY |                |                              |       |           | APPD.                    |           |

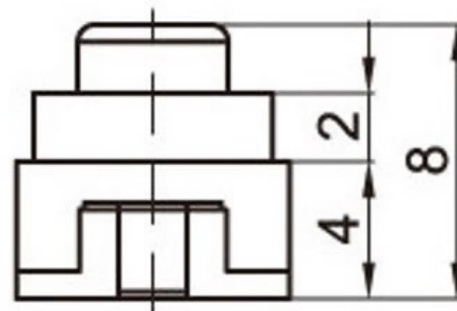
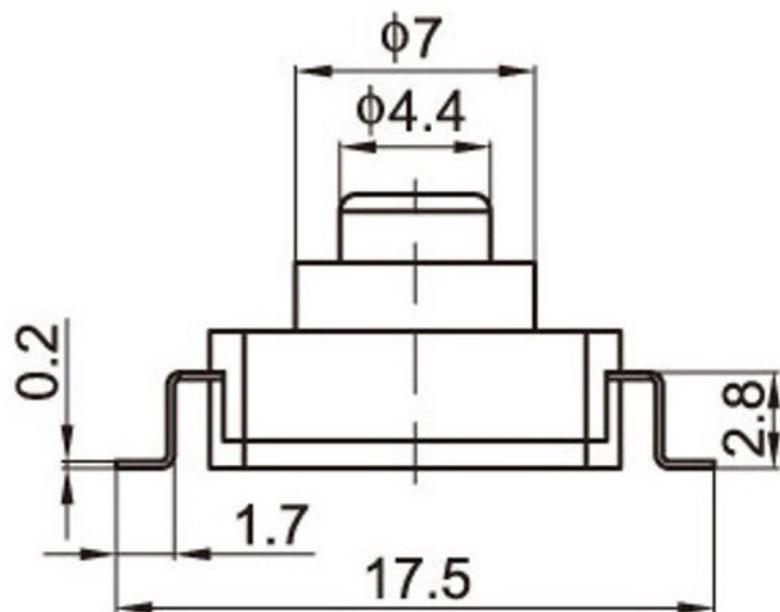
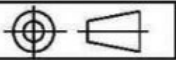


SCHEMATIC (NON-SHORTING)

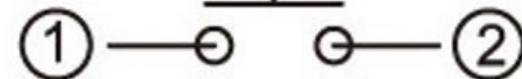


注：“\*”□表示关键尺寸(3个)。

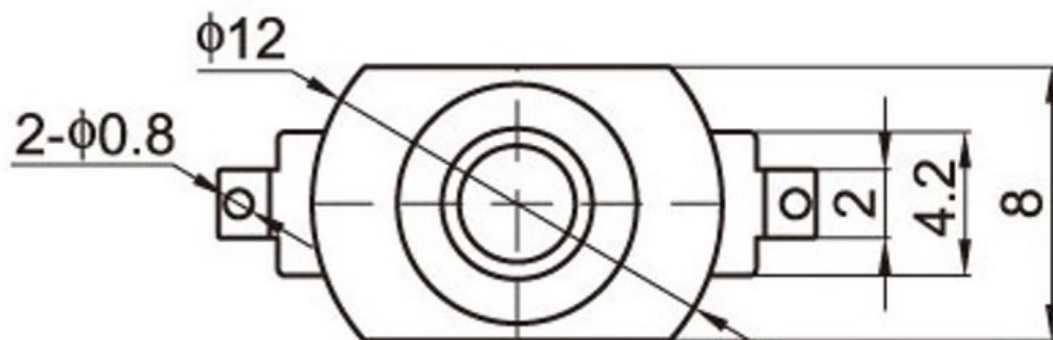
| NO. | PARTS     | MATERIALS          | Q'TY |                | TOLERANCE<br>UNLESS SPECIFIED |       |           |                          |            |           |
|-----|-----------|--------------------|------|----------------|-------------------------------|-------|-----------|--------------------------|------------|-----------|
| 8   |           |                    |      |                |                               |       |           |                          |            |           |
| 7   |           |                    |      |                |                               |       |           |                          |            |           |
| 6   |           |                    |      |                | WITHIN 1.5mm : ±0.1mm         | A     | 2012-8-13 | 初版                       |            |           |
| 5   | SPRING    | SUS                | 1    | NATURAL        | OVER 1.5mm : ±0.2mm           | ISSUE | DATE      | DESCRIPTIONS OF REVISION | APPD.      |           |
| 4   | CAM STICK | SUS                | 1    | NATURAL        | TITLE : VERTICAL PUSH SWITCH  |       |           |                          | UNIT : mm  | DRWG NO.: |
| 3   | CASE      | PA66/BRASS STRIP   | 1    | GREY/Ag PLATED | MODEL:                        |       |           |                          | SCALE: 5:1 |           |
| 2   | COVER     | PA66               | 1    | BLACK          |                               |       |           |                          | DWN.       | 2012-8-13 |
| 1   | KNOB      | PA66/PBS C5210R-EH | 1    | WHITE/Ag CLAD  | 东莞市高迪电子有限公司                   |       |           |                          | CHK'D      |           |
|     |           |                    |      |                |                               |       |           |                          | APPD.      |           |



ON-OFF



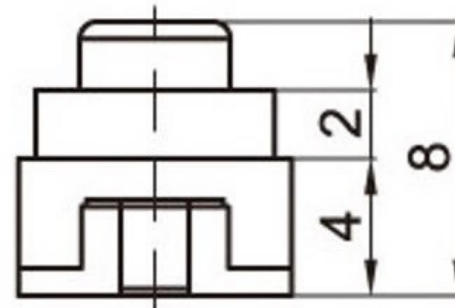
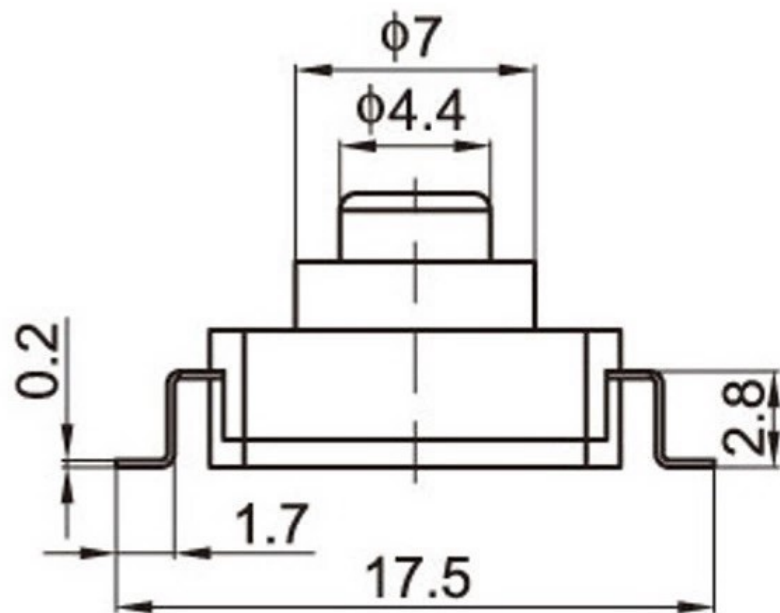
SCHEMATIC (NON-SHORTING)



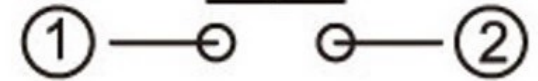
注：“\*”□表示关键尺寸(3个).

| NO. | PARTS     | MATERIALS          | Q'TY |                | TOLERANCE<br>UNLESS SPECIFIED |       |            |                          |           |
|-----|-----------|--------------------|------|----------------|-------------------------------|-------|------------|--------------------------|-----------|
| 8   |           |                    |      |                |                               |       |            |                          |           |
| 7   |           |                    |      |                |                               |       |            |                          |           |
| 6   |           |                    |      |                | WITHIN 1.5mm : ±0.1mm         | A     | 2012-8-13  | 初版                       |           |
| 5   | SPRING    | SUS                | 1    | NATURAL        | OVER 1.5mm : ±0.2mm           | ISSUE | DATE       | DESCRIPTIONS OF REVISION | APPD.     |
| 4   | CAM STICK | SUS                | 1    | NATURAL        | TITLE : VERTICAL PUSH SWITCH  |       | UNIT : mm  | DRWG NO.:                |           |
| 3   | CASE      | PA66/BRASS STRIP   | 1    | GREY/Ag PLATED | MODEL:                        |       | SCALE: 5:1 | DWN.                     | 2012-8-13 |
| 2   | COVER     | PA66               | 1    | BLACK          | 东莞市高迪电子有限公司                   |       |            | CHK'D                    |           |
| 1   | KNOB      | PA66/PBS C5210R-EH | 1    | WHITE/Ag CLAD  |                               |       |            | APPD.                    |           |

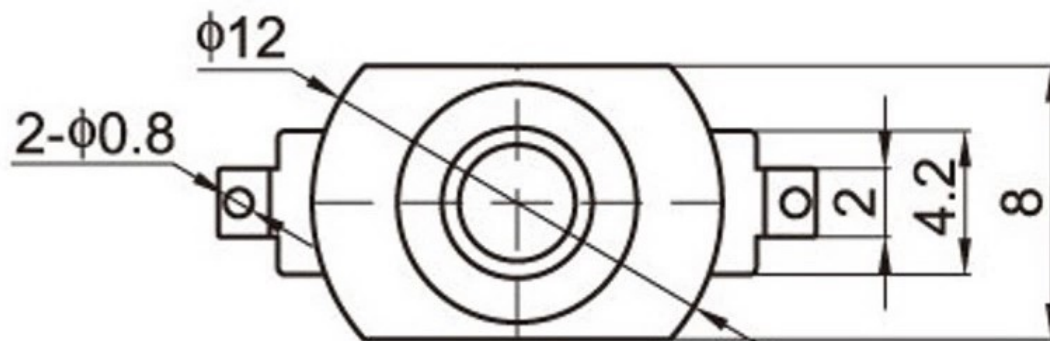




ON-OFF

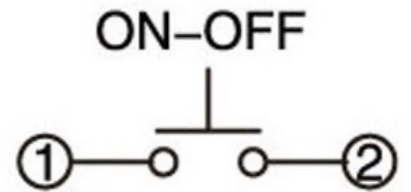
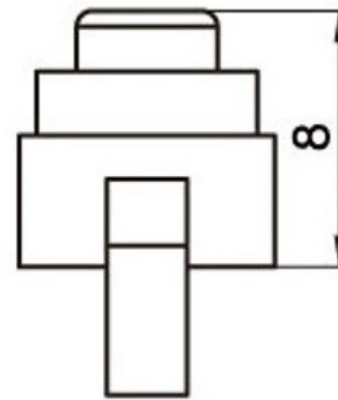
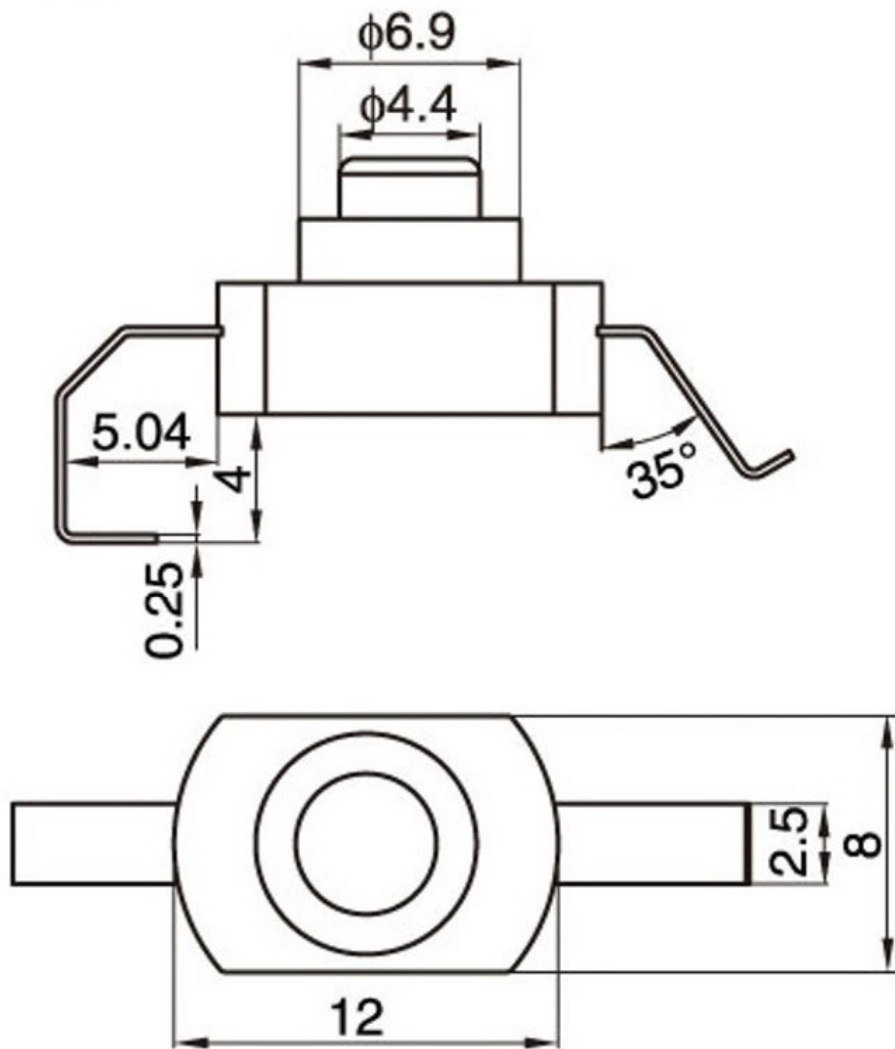
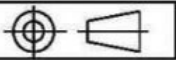


SCHEMATIC (NON-SHORTING)



注：“\*”□表示关键尺寸(3个)。

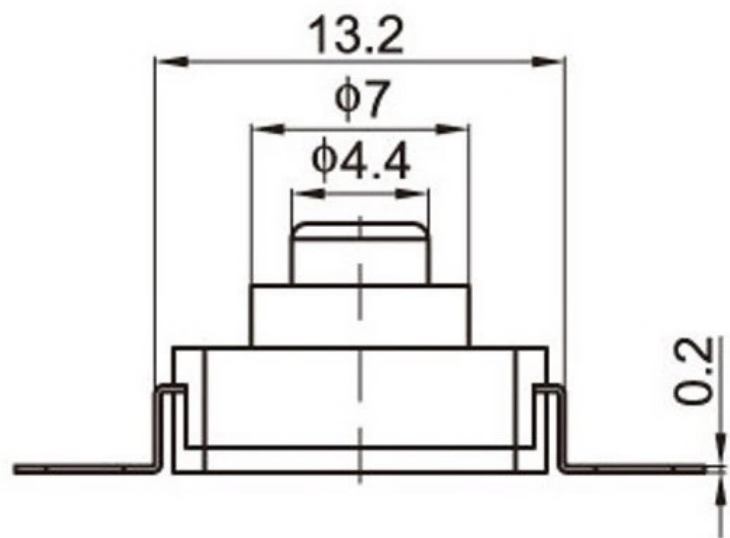
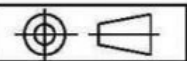
|     |           |                    |                  | TOLERANCE<br>UNLESS SPECIFIED |       |           |                          |           |           |
|-----|-----------|--------------------|------------------|-------------------------------|-------|-----------|--------------------------|-----------|-----------|
|     |           |                    |                  | WITHIN 1.5mm : ±0.1mm         | A     | 2012-8-13 | 初版                       |           |           |
|     |           |                    |                  | OVER 1.5mm : ±0.2mm           | ISSUE | DATE      | DESCRIPTIONS OF REVISION |           | APPD.     |
| 8   |           |                    |                  | TITLE : VERTICAL PUSH SWITCH  |       |           | UNIT : mm                | DRWG NO.: |           |
| 7   |           |                    |                  | MODEL:                        |       |           | SCALE: 5:1               | DWN.      | 2012-8-13 |
| 6   |           |                    |                  | 东莞市高迪电子有限公司                   |       |           | CHK'D                    |           | 2012-8-13 |
| 5   | SPRING    | SUS                | 1 NATURAL        |                               |       |           | APPD.                    |           |           |
| 4   | CAM STICK | SUS                | 1 NATURAL        |                               |       |           |                          |           |           |
| 3   | CASE      | PA66/BRASS STRIP   | 1 GREY/Ag PLATED |                               |       |           |                          |           |           |
| 2   | COVER     | PA66               | 1 BLACK          |                               |       |           |                          |           |           |
| 1   | KNOB      | PA66/PBS C5210R-EH | 1 WHITE/Ag CLAD  |                               |       |           |                          |           |           |
| NO. | PARTS     | MATERIALS          | Q'TY             |                               |       |           |                          |           |           |



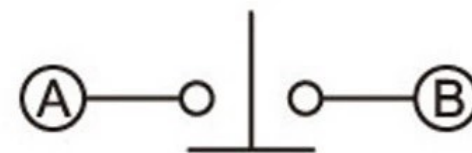
SCHEMATIC (NON-SHORTING)

注：“\*”□表示关键尺寸(3个)。

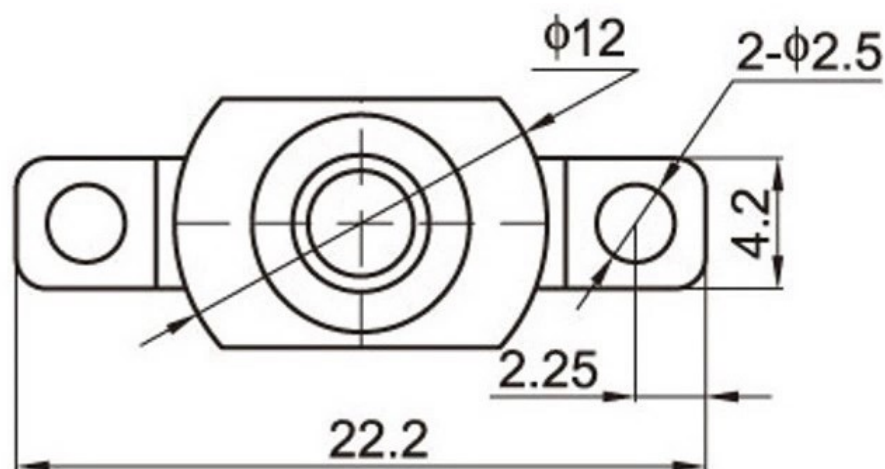
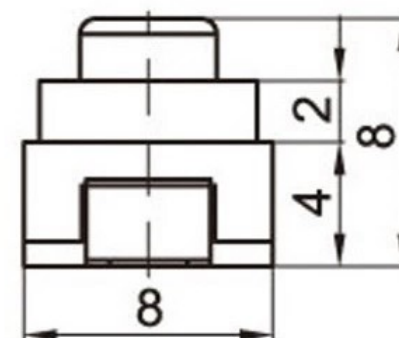
| NO. | PARTS     | MATERIALS          | Q'TY |                | TOLERANCE<br>UNLESS SPECIFIED |       |           |                          |            |           |           |
|-----|-----------|--------------------|------|----------------|-------------------------------|-------|-----------|--------------------------|------------|-----------|-----------|
| 8   |           |                    |      |                |                               |       |           |                          |            |           |           |
| 7   |           |                    |      |                |                               |       |           |                          |            |           |           |
| 6   |           |                    |      |                | WITHIN 1.5mm : $\pm 0.1$ mm   | A     | 2012-8-13 | 初版                       |            |           |           |
| 5   | SPRING    | SUS                | 1    | NATURAL        | OVER 1.5mm : $\pm 0.2$ mm     | ISSUE | DATE      | DESCRIPTIONS OF REVISION | APPD.      |           |           |
| 4   | CAM STICK | SUS                | 1    | NATURAL        | TITLE : VERTICAL PUSH SWITCH  |       |           |                          | UNIT : mm  | DRWG NO.: |           |
| 3   | CASE      | PA66/BRASS STRIP   | 1    | GREY/Ag PLATED | MODEL:                        |       |           |                          | SCALE: 5:1 | DWN.      | 2012-8-13 |
| 2   | COVER     | PA66               | 1    | BLACK          | 东莞市高迪电子有限公司                   |       |           |                          | CHK'D      | 2012-8-13 |           |
| 1   | KNOB      | PA66/PBS C5210R-EH | 1    | WHITE/Ag CLAD  |                               |       |           |                          | APPD.      |           |           |



ON-OFF

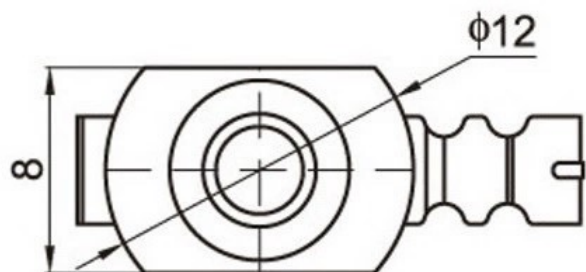


SCHEMATIC (NON-SHORTING)

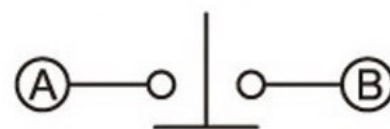


注：“\*”□表示关键尺寸(3个)。

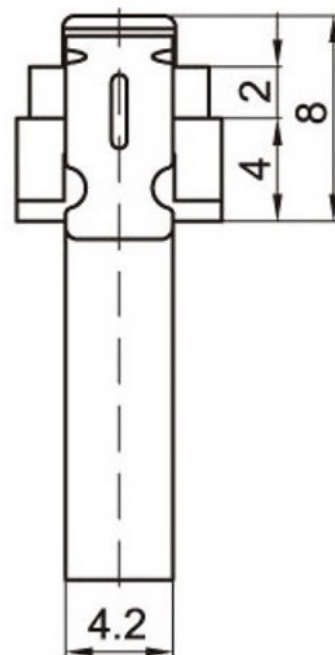
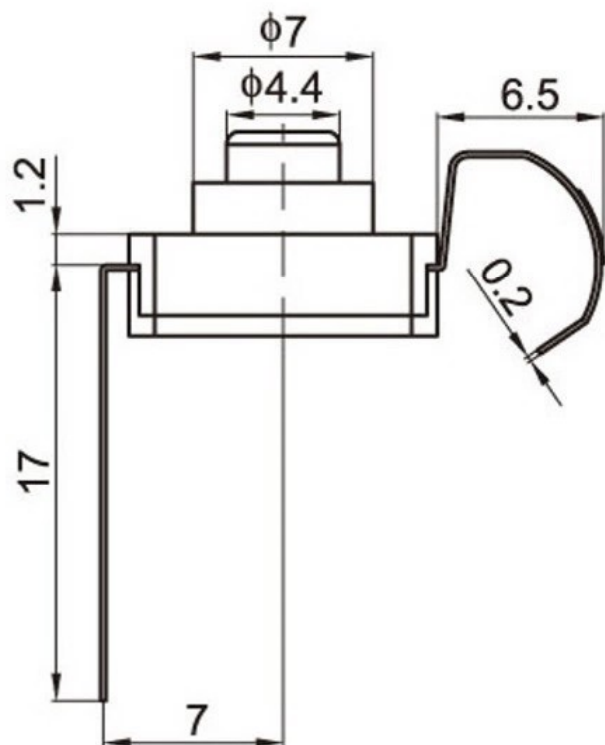
| NO. | PARTS     | MATERIALS          | Q'TY |                | TOLERANCE<br>UNLESS SPECIFIED |       |           |                          |            |           |
|-----|-----------|--------------------|------|----------------|-------------------------------|-------|-----------|--------------------------|------------|-----------|
| 8   |           |                    |      |                |                               |       |           |                          |            |           |
| 7   |           |                    |      |                |                               |       |           |                          |            |           |
| 6   |           |                    |      |                | WITHIN 1.5mm : ±0.1mm         | A     | 2012-8-13 | 初版                       |            |           |
| 5   | SPRING    | SUS                | 1    | NATURAL        | OVER 1.5mm : ±0.2mm           | ISSUE | DATE      | DESCRIPTIONS OF REVISION | APPD.      |           |
| 4   | CAM STICK | SUS                | 1    | NATURAL        | TITLE : VERTICAL PUSH SWITCH  |       |           |                          | UNIT : mm  | DRWG NO.: |
| 3   | CASE      | PA66/BRASS STRIP   | 1    | GREY/Ag PLATED | MODEL:                        |       |           |                          | SCALE: 5:1 |           |
| 2   | COVER     | PA66               | 1    | BLACK          | 东莞市高迪电子有限公司                   |       |           |                          | DWN.       | 2012-8-13 |
| 1   | KNOB      | PA66/PBS C5210R-EH | 1    | WHITE/Ag CLAD  |                               |       |           |                          | CHK'D      |           |
|     |           |                    |      |                |                               |       |           | APPD.                    |            |           |



ON-OFF



SCHEMATIC (NON-SHORTING)



注：“\*”□表示关键尺寸(3个).

| NO. | PARTS     | MATERIALS          | Q'TY | TOLERANCE<br>UNLESS SPECIFIED                | DATE                         | DESCRIPTIONS OF REVISION | APPD.           |
|-----|-----------|--------------------|------|--|------------------------------|--------------------------|-----------------|
| 8   |           |                    |      |  |                              |                          |                 |
| 7   |           |                    |      |  |                              |                          |                 |
| 6   |           |                    |      | WITHIN 1.5mm : ±0.1mm<br>OVER 1.5mm : ±0.2mm | A                            | 2012-8-13                | 初版              |
| 5   | SPRING    | SUS                | 1    | NATURAL                                      | ISSUE                        | DATE                     | APPD.           |
| 4   | CAM STICK | SUS                | 1    | NATURAL                                      | TITLE : VERTICAL PUSH SWITCH |                          |                 |
| 3   | CASE      | PA66/BRASS STRIP   | 1    | GREY/Ag PLATED                               | UNIT : mm                    | DRWG NO.:                |                 |
| 2   | COVER     | PA66               | 1    | BLACK  | MODEL:                       | SCALE: 5:1               | DWN. 2012-8-13  |
| 1   | KNOB      | PA66/PBS C5210R-EH | 1    | WHITE/Ag CLAD                                | 东莞市高迪电子有限公司                  |                          | CHK'D 2012-8-13 |
|     |           |                    |      |  |                              |                          | APPD. 2012-8-13 |