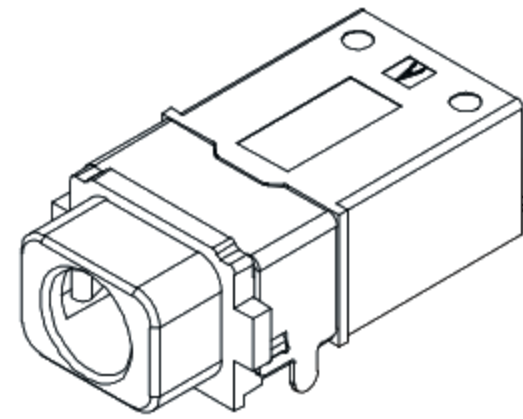


RoHS
Compliant

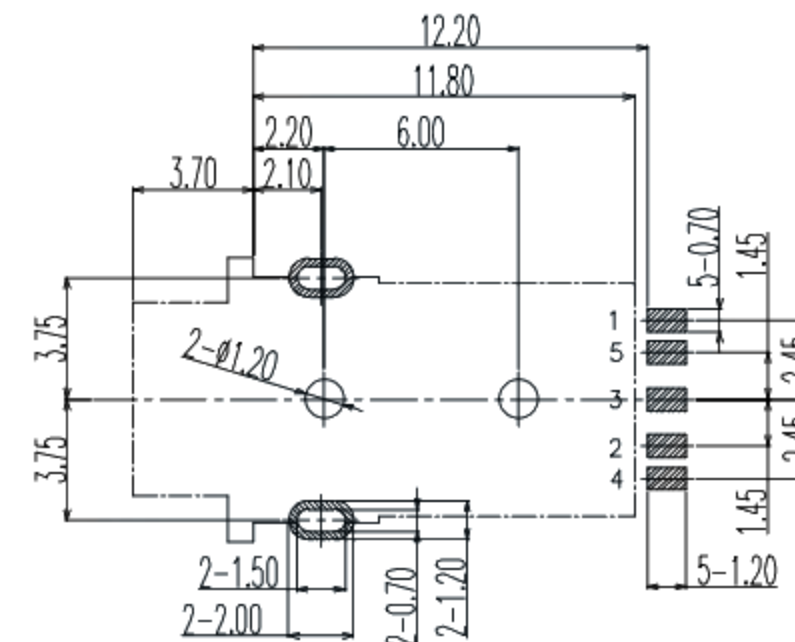
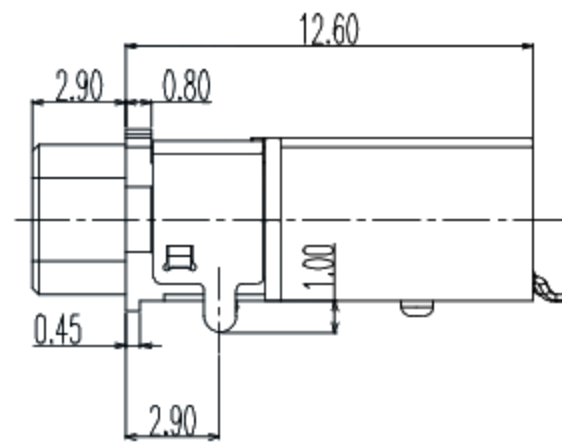
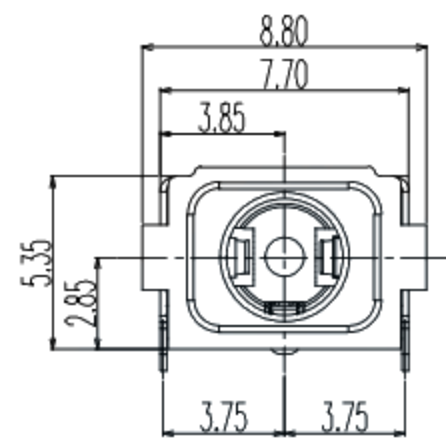
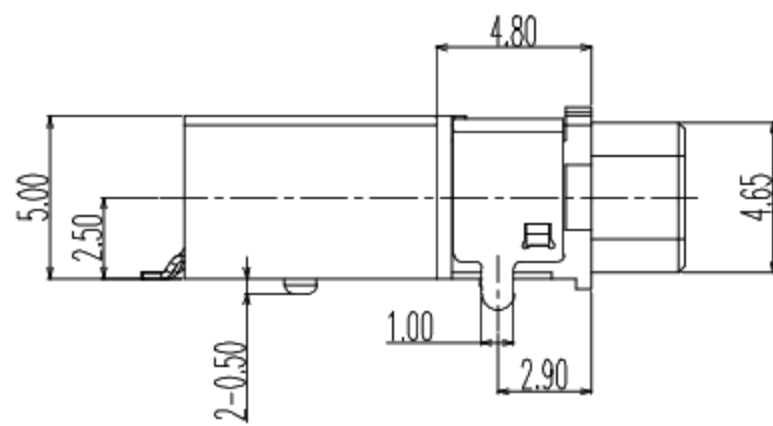
ZONE	SYMBOL	REVISION	APPROVAL	DATE
A		INITIAL	Lucky	06/20/20'

SPECIFICATION:

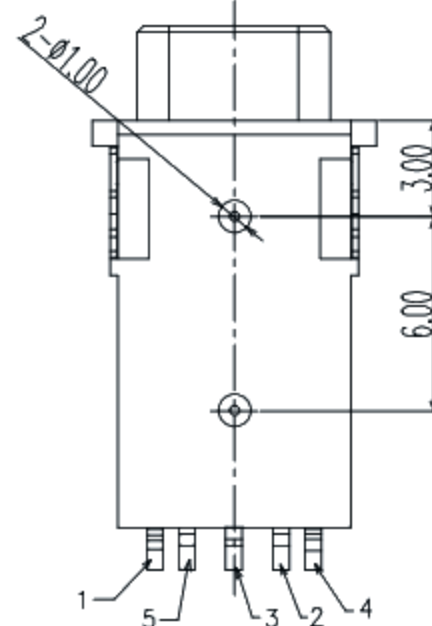
1. CURRENT RATING:DC 0.5A MAX.
- 2.VOLTAGE RATING:DC 12V.
- 3:CONTACT RESISTANCE:50mΩ MAX.
4. INSULATION RESISTANCE:100MΩ MIN. AT 500V DC.
5. WITHSTANDING VOLTAGE:500V AC FOR 1 MINUTE.
6. LIFE TEST:5000 CYCLES MIN,
7. MATING FORCE:3~30N,
UNMATING FORCE:3~30N.
8. TEPROOF LEVEL: IPX7



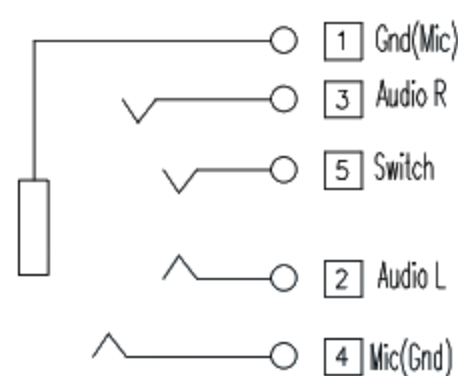
3D VIEW



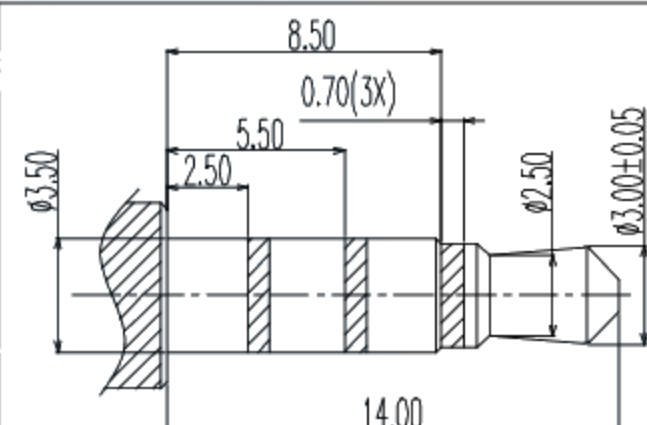
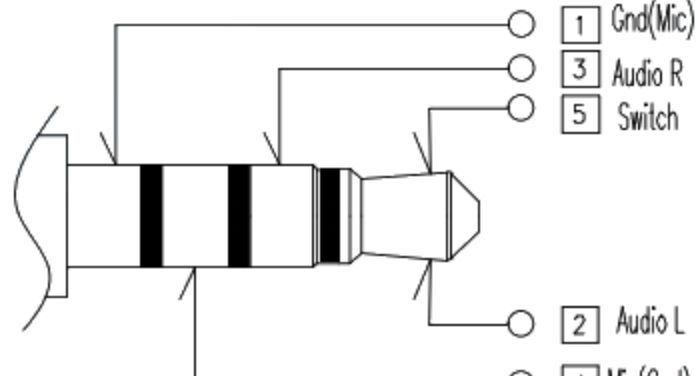
RECOMMENDED P.C.B LAYOUT
TOP VIEW



SCHEMATIC(PLUG OUT)



SCHEMATIC(PLUG IN)



(ø3.50mm 4 POLE PLUG DETAIL DRAWING)

NO.	PART NAME	QTY	MATERIAL	DESCRIPTION	REMARK
⑦	Contact_5	5	1	Copper Alloy	T=0.20mm
⑥	Contact_4	4	1	Copper Alloy	T=0.20mm
⑤	Contact_3	3	1	Copper Alloy	T=0.20mm
④	Contact_2	2	1	Copper Alloy	T=0.20mm
③	Contact_1	1	1	Copper Alloy	T=0.20mm
②	Separator	1	HIGH TEMP	BLACK,UL94V-0	
①	Housing	1	HIGH TEMP	BLACK,UL94V-0	

CONTACT AREA: 1U*MIN
SOLDER AREA:1U*MIN
50u" OVER ALL

东莞市高迪电子有限公司

PART NAME	3.5mm STEREO JACK	TOLERANCE UNLESS OTHERWISE SPECIFIED:	0.0±0.2 0.00±0.1 0.000+0.05	UNT: mm	
PART NO.					

DRAWING:	Lucky	DATE:	2020.20.06	SCALE	5:1
CHECK:	liao Y K	DATE:	2020.20.06	MATERIAL	*
APPROVAL:	Abel	DATE:	2020.20.06	DWG. no.	A
DRAWING NO.				SHEET	1/1