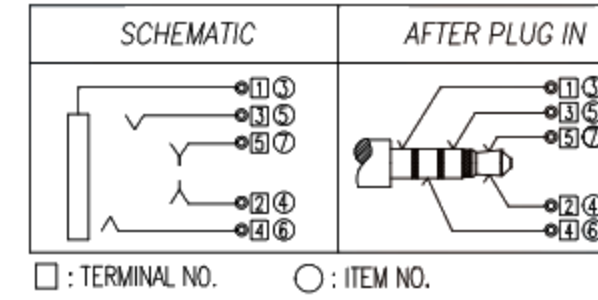
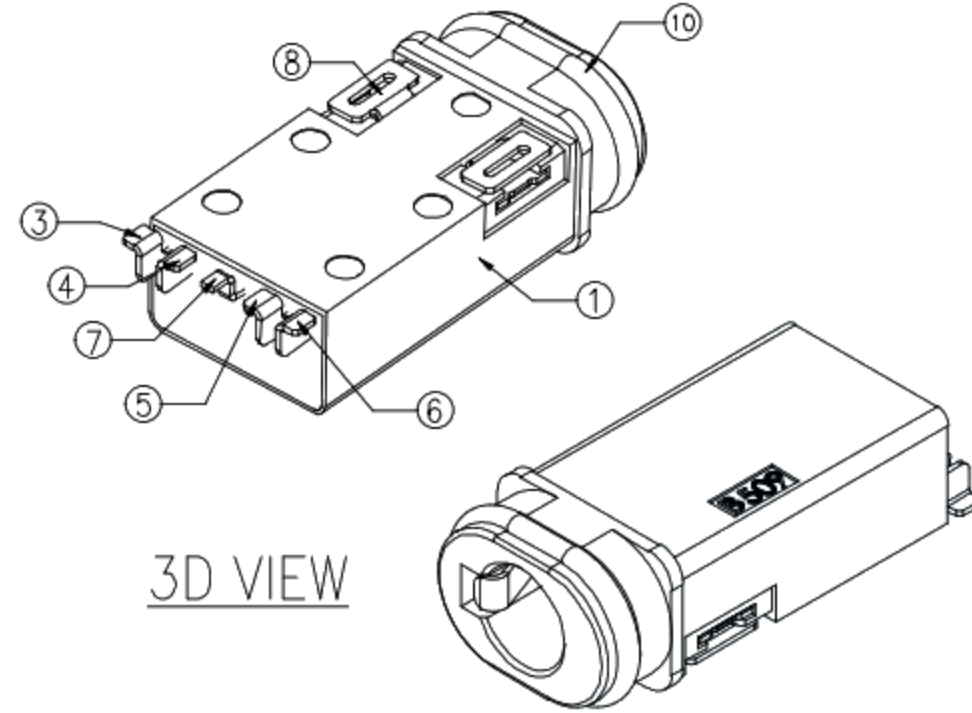
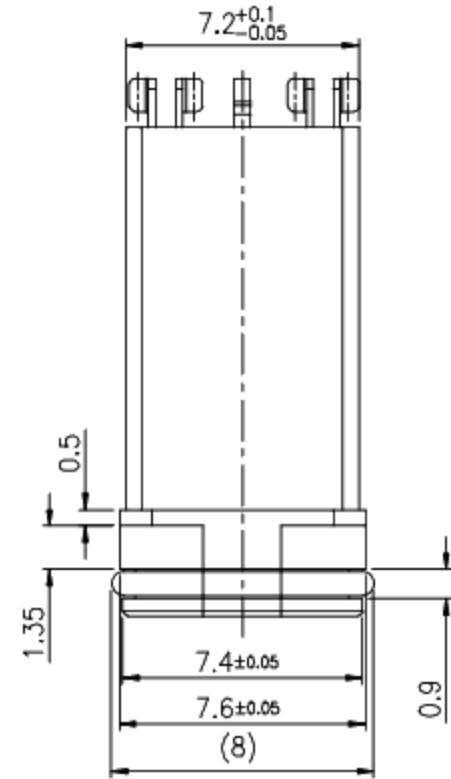
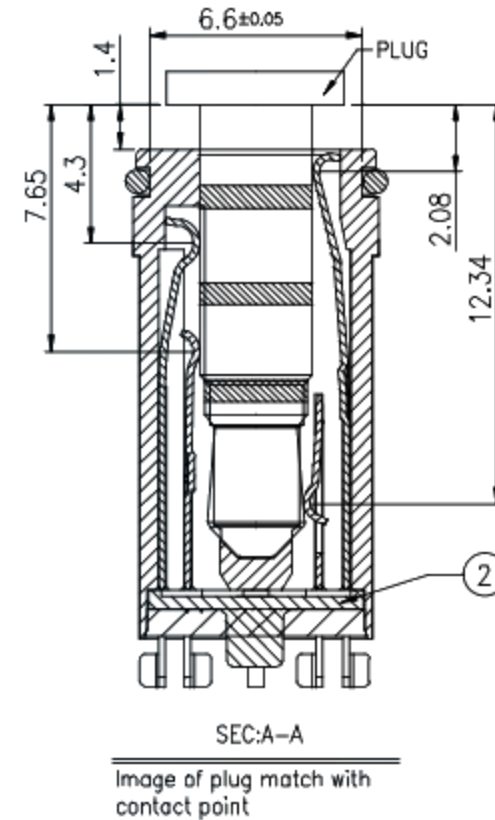
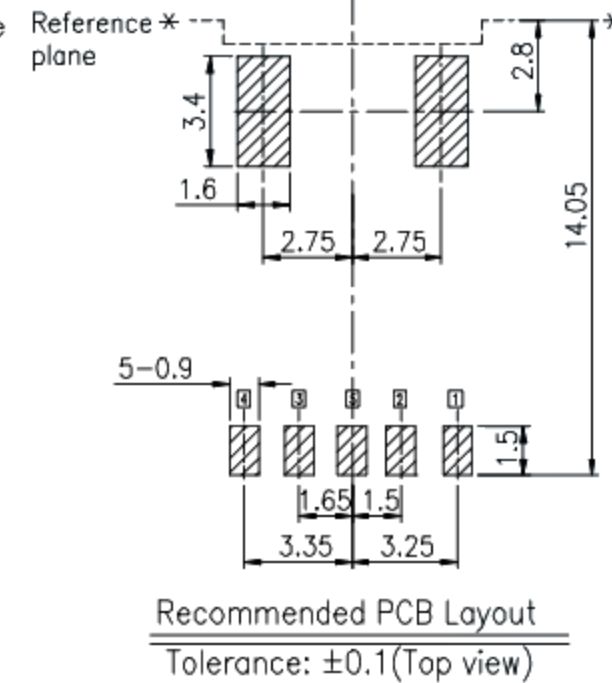
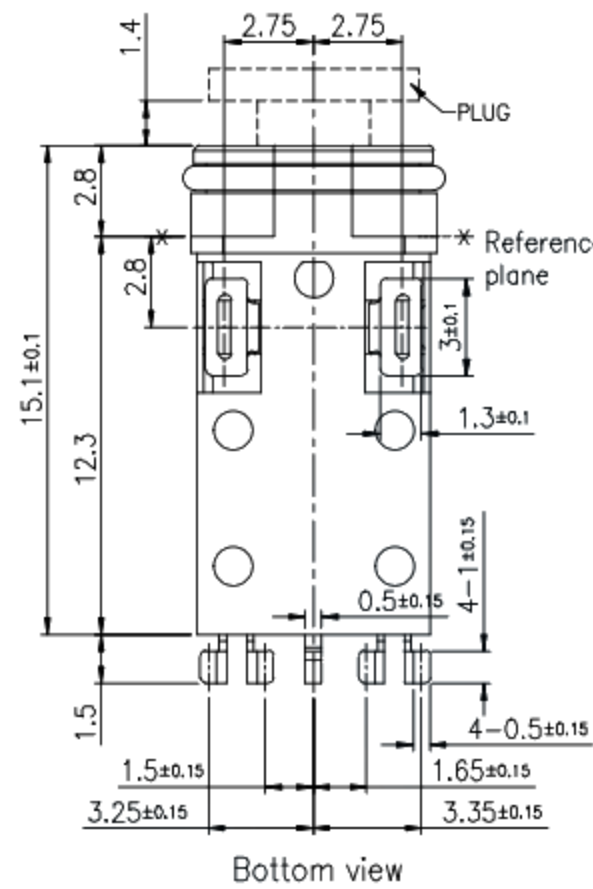
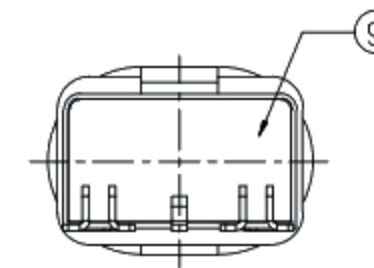
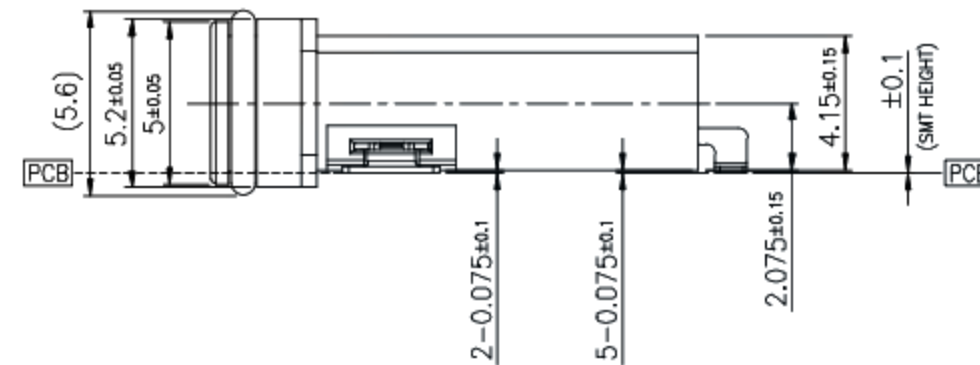
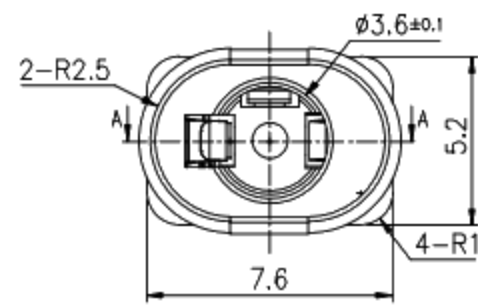


RoHS
Compliant

ZONE	SYMBOL	REVISION	APPROVAL	DATE
A		INITIAL	Lucky	06/20/20'



SPECIFICATIONS:
 1.INSULATION RESISTANCE:A VOLTAGE OF 500V D.C. SHALL BE APPLIED TO THE TERMINALS, AFTER WHICH MEASUREMENT SHALL BE MADE. A GAUGE FOR THE MEASUREMENT SHALL BE USED THE INSULATEDGAUGE.
 2.CONTACT RESISTANCE:30mΩ OR LESS
 3.VOLTAGE PROOF:500V AC FOR ONE MINUTE
 4.DURABILITY:5,000 INSERTION/REMOVAL CYCLES(MINIMUM)
 5.INSETION FORCE:0.3KGF~3.0KGF
 6.WITHDRAWAL FORCE:0.3KGF~3.0KGF
 7.WATER PROOFNESS: THIS PRODUCT IS CONFORM TO JIS STANDARD IPX7 BY WATERPROOF JACK
 8.USING PLUG: φ3.5MM、4-POLE STEREO EARPHONE(LCH/RCH/GND/MIC) PROVIDED THAT THEY CONFORM TO JIS C6560
 9.0-RING ASSEMBLY AREA TO MAINTAIN SMOOTH, SHALL HAVE NO BURRS



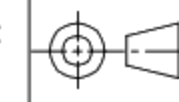
ITEM	PART NAME	TERMINAL	QTY	MATERIAL	REMARK
⑩	OVAL RING	----	1	----	----
⑨	BOND	----	1	----	----
⑧	TERMINAL	----	2	Copper alloy t=0.2	1st:Ni(1μm or more),2nd:Sn(MIN 2 μm or more)PLATED
⑦	TIP SPRING-2	⑤	1	Copper alloy t=0.2	1st:Ni(1μm or more),2nd:Au(MIN 0.03 μm or more)PLATED
⑥	RING SPRING-2	④	1	Copper alloy t=0.2	1st:Ni(1μm or more),2nd:Au(MIN 0.03 μm or more)PLATED
⑤	RING SPRING-1	③	1	Copper alloy t=0.2	1st:Ni(1μm or more),2nd:Au(MIN 0.03 μm or more)PLATED
④	TIP SPRING-1	②	1	Copper alloy t=0.2	1st:Ni(1μm or more),2nd:Au(MIN 0.03 μm or more)PLATED
③	EARTH SPRING	①	1	Copper alloy t=0.2	1st:Ni(1μm or more),2nd:Au(MIN 0.03 μm or more)PLATED
②	COVER	----	1	PA9T(BLACK)	UL 94V-0
①	HOUSING	----	1	PA9T(BLACK)	UL 94V-0

东莞市高迪电子有限公司

PART NAME: 3.5mm STEREO JACK
 PART NO.:

TOLERANCE UNLESS OTHERWISE SPECIFIED:
 0.0±0.2
 0.00±0.1
 0.000±0.05

UNIT: mm



DRAWING:	Lucky	DATE:	2020.20.06	SCALE:	5:1
CHECK:	liao Y K	DATE:	2020.20.06	MATERIAL:	*
APPROVAL:	Abel	DATE:	2020.20.06	DWG. no.:	A
DRAWING NO.:				SHEET:	1/1