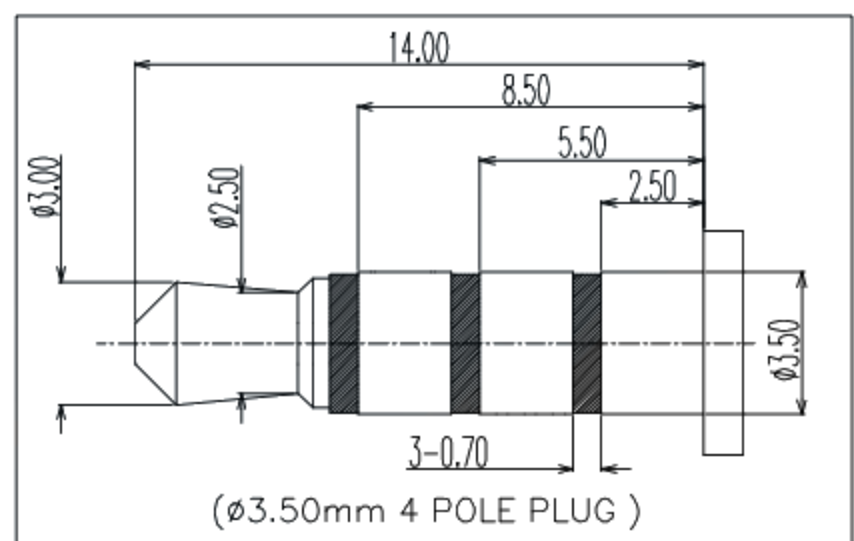
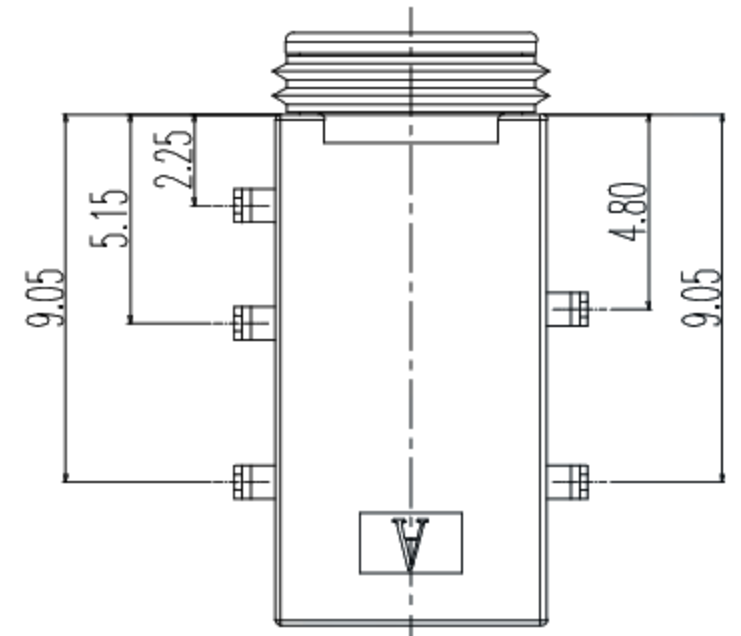
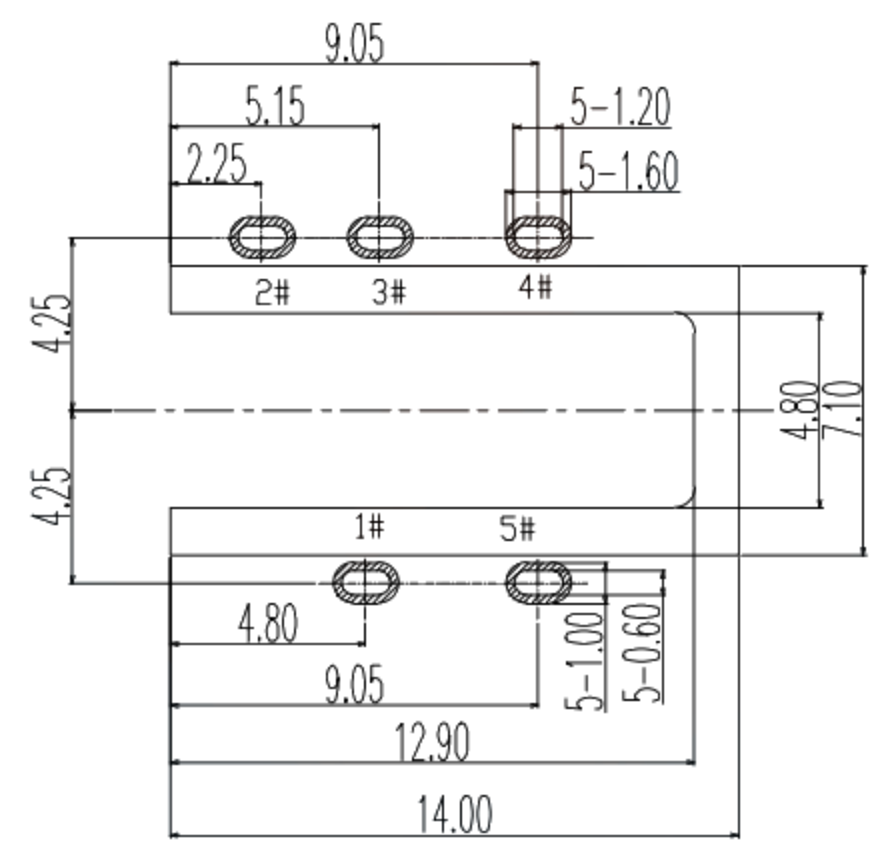
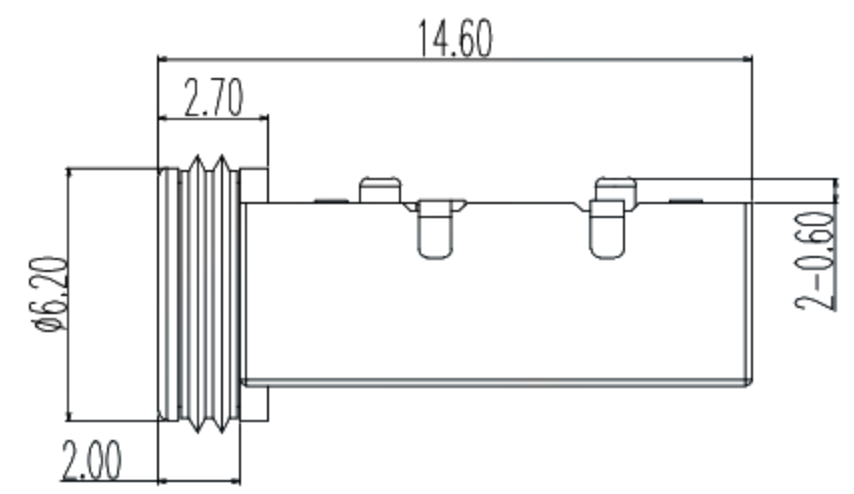
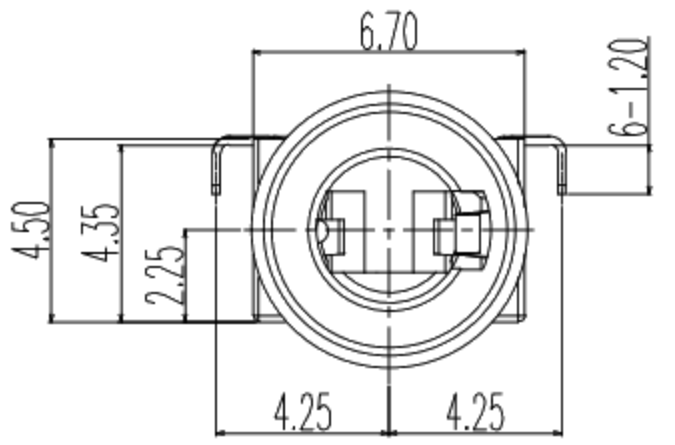
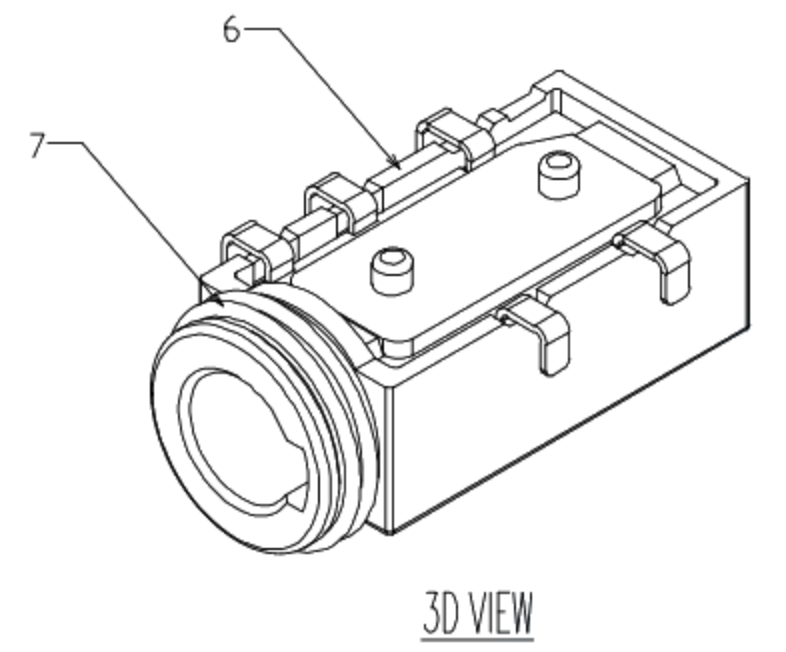
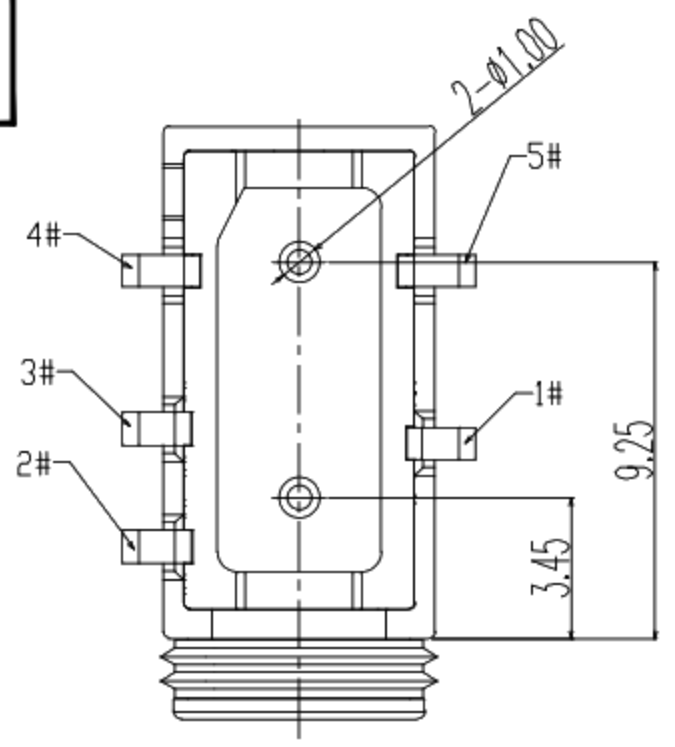
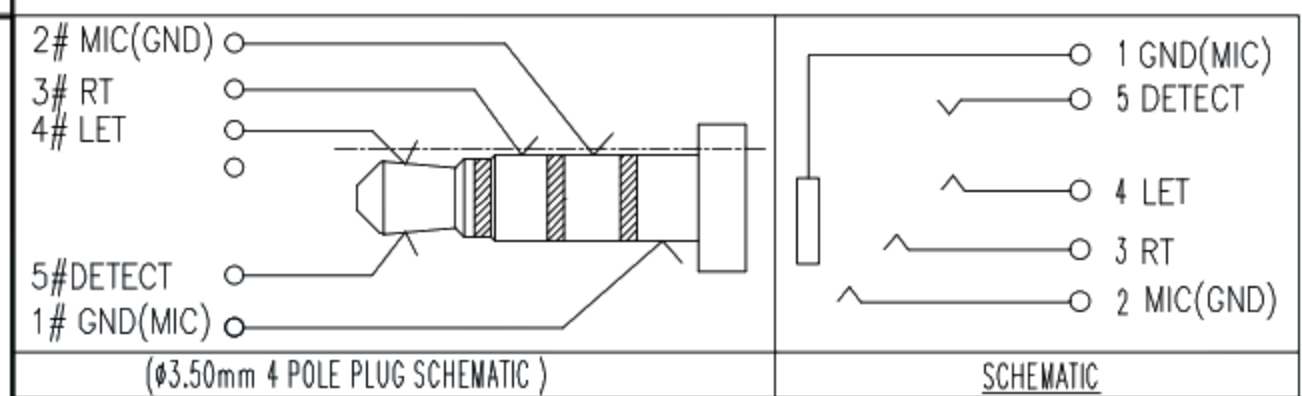


RoHS
Compliant

ZONE	SYMBOL	REVISION	APPROVAL	DATE
A		INITIAL	Lucky	06/20/20'



- CONTACT CURRENT RATING: 1A.
- CONTACT RESISTANCE: 100 mΩ MAX.;
- INSULATION RESISTANCE: 100MΩ MIN.;
- DIELECTRIC WITHSTANDING: 500V AC MIN.;
- DURABILITY: 5,000 CYCLES MIN.;
- CONNECTOR MATING FORCES: 30N MAX.;
- CONNECTOR UNMATING FORCES: 3N MIN.;
- TERPROOF LEVEL: IP67;



NO.	PART NAME	QTY	MATERIAL	DESCRIPTION	REMARK
⑦	Contact_5	5	1	Copper Alloy	T=0.20mm
⑥	Contact_4	4	1	Copper Alloy	T=0.20mm
⑤	Contact_3	3	1	Copper Alloy	T=0.20mm
④	Contact_2	2	1	Copper Alloy	T=0.20mm
③	Contact_1	1	1	STAINLESS STEEL	T=0.20mm
②	Separator	1	HIGH TEMP	BLACK,UL94V-0	
①	Housing	1	HIGH TEMP	BLACK,UL94V-0	

NICKEL UNDER PLATING
OVERALL, GOLD FLASH PLATING ON SOLDER AREA
GOLD FLASH PLATING ON CONTACT AREA

东莞市高迪电子有限公司

PART NAME	3.5mm STEREO JACK	TOLERANCE UNLESS OTHERWISE SPECIFIED:	0.0±0.2 0.00±0.1 0.000±0.05	UNIT:	mm
PART NO.					

DRAWING:	Lucky	DATE:	2020.20.06	SCALE:	5:1
CHECK:	liao Y K	DATE:	2020.20.06	MATERIAL:	*
APPROVAL:	Abel	DATE:	2020.20.06	DWG. no.:	A
DRAWING NO.:				SHEET:	1/1