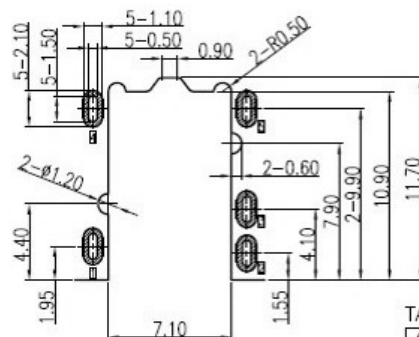
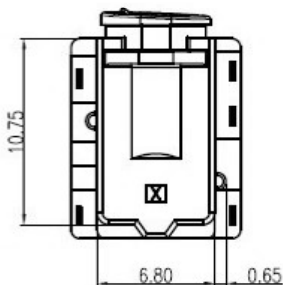
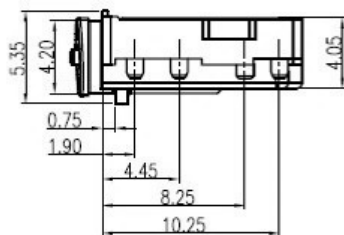
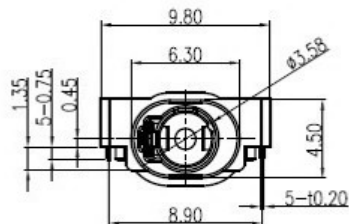
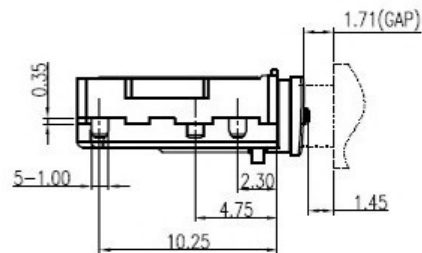
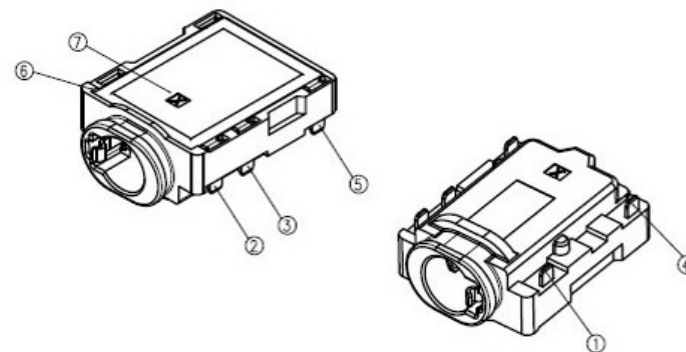
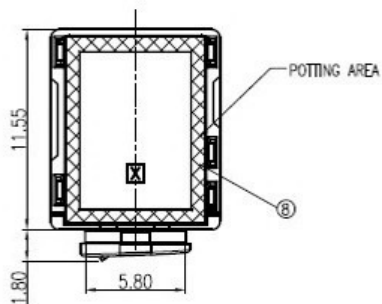


RoHS Compliant Halogen Free



CUSTOMER DRAWING



NOTES:

1. MATERIAL: SEE "TABLE 1";
2. FINISH: SEE "TABLE 1";
3. ELECTRICAL:
  - 3.1. VOLTAGE RATING: 12 VAC RMS;
  - 3.2. CURRENT RATING: 1 AMP;
  - 3.3. CONTACT RESISTANCE: 30mΩ Max.(Initial), 50mΩ Max.(After Life test);
  - 3.4. INSULATION RESISTANCE: 1000 MΩ Min., 500VDC.(Initial), 100 MΩ Min., 500VDC.(After Humidity test);
  - 3.5. WITHSTAND VOLTAGE: 500 VAC RMS 50(60)Hz, 1 minute;
4. MECHANICAL:
  - 4.1. MATING FORCE: 3.0Kgf MAX.;
  - 4.2. UNMATING FORCE: 0.3Kgf MIN.;
  - 4.3. OPERATING LIFE: 5000 CYCLES MIN.;
5. ENVIRONMENTAL:
  - 5.1. OPERATION: -30°C~+80°C.

TABLE 1:

NO.	PART NAME	QTY	MATERIAL	DESCRIPTION	REMARK
⑧	GLUE WATER	1	EPOXY	BLACK	
⑦	Cover	1	HIGH TEMP	BLACK	
⑥	Housing	1	HIGH TEMP	BLACK	
⑤	TERMINAL-5	1	COPPER ALLOY	Au PLATED	T=0.20mm
④	TERMINAL-4	1	COPPER ALLOY	Au PLATED	T=0.20mm
③	TERMINAL-3	1	COPPER ALLOY	Au PLATED	T=0.20mm
②	TERMINAL-2	1	COPPER ALLOY	Au PLATED	T=0.20mm
①	TERMINAL-1	1	COPPER ALLOY	Au PLATED	T=0.20mm

UNLESS OTHERWISE, GENERAL TOLERANCE:

X.xxx ±0.10  
 X.xx ±0.20  
 X.x ±0.30  
 X. ±0.38

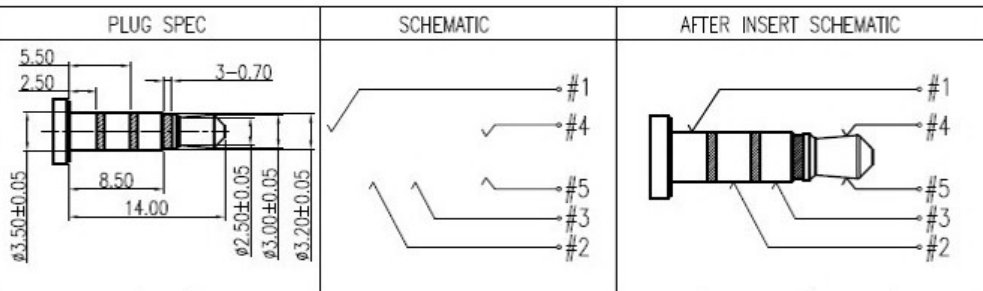
ANGULAR:

X.xx ±1'  
 X.x ±3'  
 X. ±5'

东莞市高迪电子有限公司

TITLE: Ø3.5mm Phone Jack CONN 客户图	P/N: MODEL: DRAW NO.:
THIRD ANGLE PROJECTION	UNIT: mm
SCALE: 1:1	SIZE: A4
	SHEET: 1/1

RECOMMENDED P.C.B LAYOUT TOP VIEW (TOLRANCE:±0.05)



ECN NO.	REV.	DESCRIPTION	DATE	CHANGE	APPROVAL	DATE	Bin
20160322001	X1	随工程图上升版次	2016.05.25	Bin	DESIGN	2016.05.25	
		NEW DRAWING	2016.04.08	Bin	CHECK	2016.05.25	
					APPROVAL	2016.05.25	