

Note:

- 1.Contact Current Rating:12V 1A.
- 2.Contact Resistance:50mΩ MAX.
- 3.Insulation Resistance:100MΩ Min.500V DC.
- 4.Dielectric Withstandeing:500V AC Min.
- 5.Durability:5000 Cycles Min.
- 6.Connector Mating Forces:29.4N(3.00Kgf) MAX.
- 7.Connector Unmating Forces:2.94N(0.30Kgf) Min.
- 8.The Product Machine With A GAP That:The Finished Machine With Socket Before/Up/Down/Left/Right Side Of 5,Protection GAP First Proposed,The Desing OF 0.15mm.

RECOMMENDED PCB LAYOUT(TOP VIEW)  
(GENERAL TOLERANCE ±0.05)

NO.	DESCRIPTION	MAT,L	COLOR	REMARK
9	SLEEVE	COPPER ALLOY	———	NI PLATED
8	DUMMY PIN	stainless steel	———	清洗
7	HOUSING	HIGH TEMP	BLACK	———
6	TERMINAL 6	COPPER ALLOY	———	AU PLATED
5	TERMINAL 5	COPPER ALLOY	———	AU PLATED
4	TERMINAL 4	COPPER ALLOY	———	AU PLATED
3	TERMINAL 3	COPPER ALLOY	———	AU PLATED
2	TERMINAL 2	COPPER ALLOY	———	AU PLATED
1	TERMINAL 1	COPPER ALLOY	———	AU PLATED

CUSTOMER COPY 高迪电子有限公司

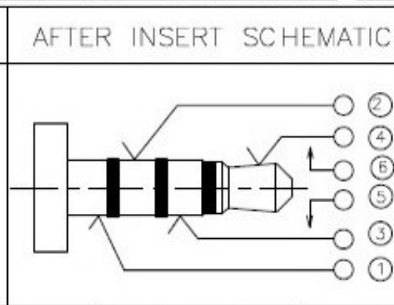
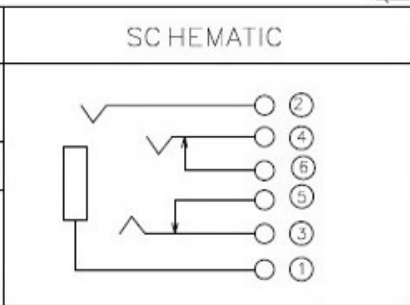
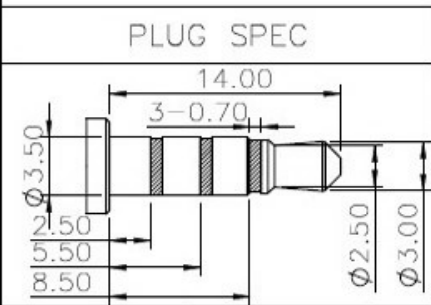
TITLE: Ø3.50 mm PHONE JACK CONNECTOR

PART NO.

PRODUCT SPEC.

FILE NAME.

SCALE 4:1 UNIT:mm A4 SHEET: 1 of 1



ECN NO.	REV	DATE	DESCRIPTION	CHANGE	APPRO.	GENERAL TOLERANCE UNLESS OTHERWISE NOTED
	X1	12/20/13	NEW			Angle ±2° X ±0.35 .X ±0.25 .XX ±0.20

DESIGN	CHECK	APPRO.
唐华民 12/20/13	张学春 12/20/13	张学春 12/20/13