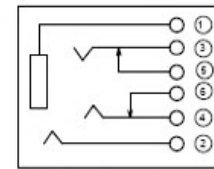
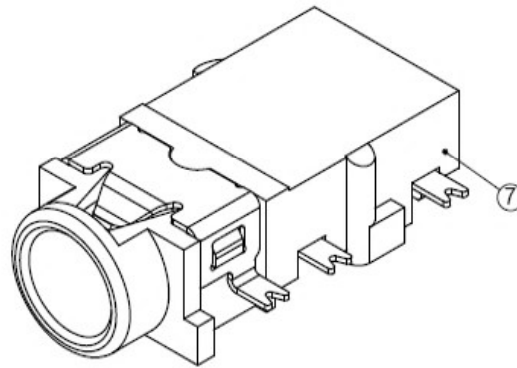
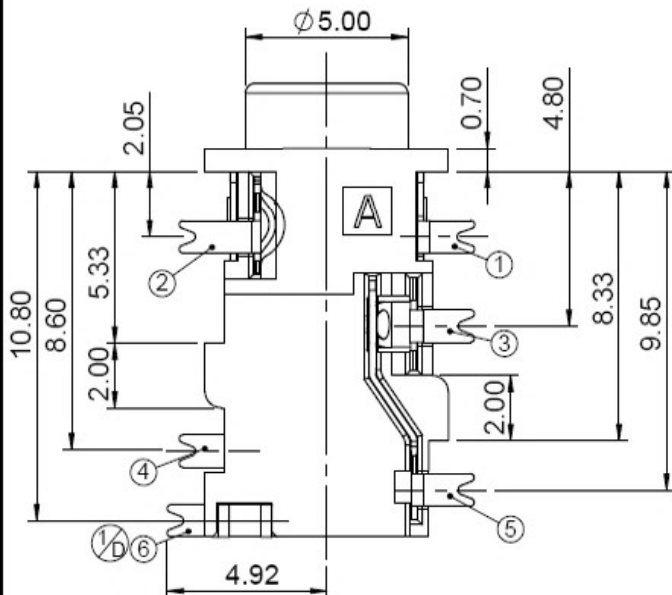


RECOMMENDED PCB LAYOUT(TOP VIEW)
(GENERAL TOLERANCE ±0.05)

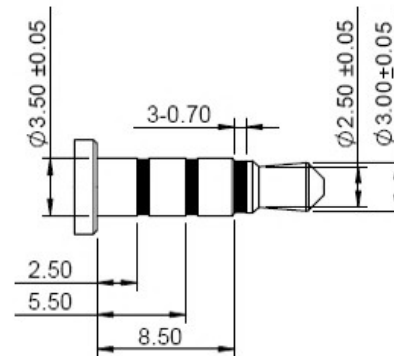


SCHMATIC



NOTES:

1. CONTACT CURRENT RATING: 1A.
2. CONTACT RESISTANCE: 50 mΩ MAX.
3. INSULATION RESISTANCE: 100MΩ MIN.
4. DIELECTRIC WITHSTANDING: 500V AC MIN.
5. DURABILITY: 5,000 CYCLES MIN.
6. CONNECTOR MATING FORCES:
29.4N (3.00Kgf) MAX.
7. CONNECTOR UNMATING FORCES:
2.94N(0.30Kgf) MIN.



∅3.50mm 4 POLE PLUG
DETAIL DRAWING(2:1)

旧料号:PJK-311S-C改新料号: J303-B06G1-NZL2



NO.	DESCRIPTION	MAT,L	COLOR	REMARK
7	HOUSING	HIGH TEMP	BLACK	
6	TERMINAL 6	COPPER ALLOY		GOLD PLATED/TIN
5	TERMINAL 5	COPPER ALLOY		GOLD PLATED/TIN
4	TERMINAL 4	COPPER ALLOY		GOLD PLATED/TIN
3	TERMINAL 3	COPPER ALLOY		GOLD PLATED/TIN
2	TERMINAL 2	COPPER ALLOY		GOLD PLATED/TIN
1	TERMINAL 1	COPPER ALLOY		GOLD PLATED/TIN

CUSTOMER COPY 高迪电子有限公司

TITLE: ∅3.50 mm PHONE JACK CONNECTOR

PART NO.

PRODUCT SPEC.

FILE NAME.

SCALE 4:1 UNIT:mm A4 SHEET: 1 of 2

ECN NO.	REV	DATE	DESCRIPTION	CHANGE	APPRO.	GENERAL TOLERANCE UNLESS OTHERWISE NOTED	APPRO.	DATE
JH2012-049	D	11/26/12	D1:图面规范化	梁碧华	罗志兵	Angle ±2°		
JH2012-041	C	10/18/12	C1:图面规范化	彭志况	罗志兵	X ±0.35	DESIGN	梁碧华 11/26/12
JH2012-029	B	09/18/12	B1:变更图面及料号	彭志况	罗志兵	.X ±0.25	CHECK	谭艳斌 11/26/12
						.XX ±0.20	APPRO.	罗志兵 11/26/12