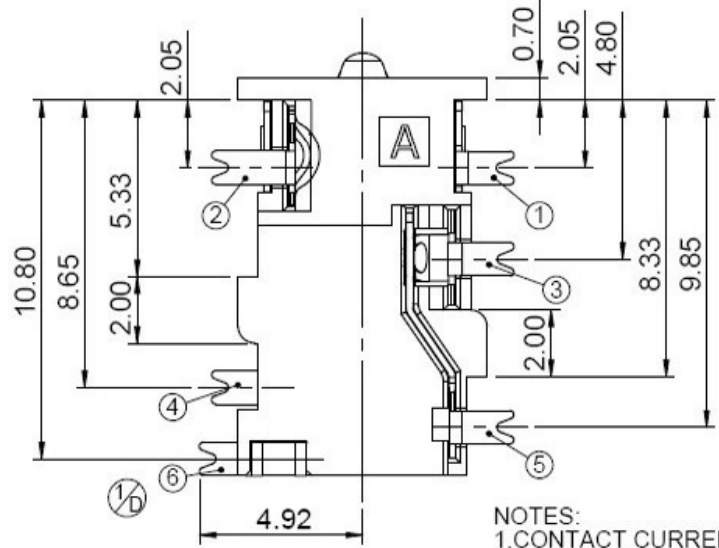
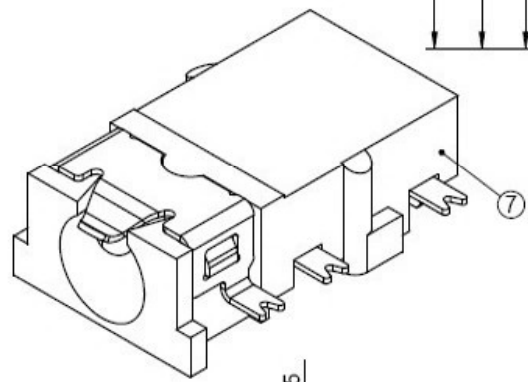
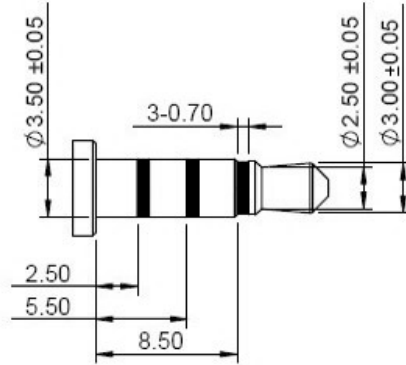


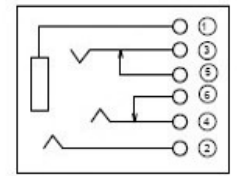
RECOMMENDED PCB LAYOUT(TOP VIEW)
(GENERAL TOLERANCE ±0.05)



- NOTES:
- CONTACT CURRENT RATING: 1A.
 - CONTACT RESISTANCE: 50 mΩ MAX.;
 - INSULATION RESISTANCE: 100MΩ MIN.;
 - DIELECTRIC WITHSTANDING: 500V AC MIN.;
 - DURABILITY: 5,000 CYCLES MIN.;
 - CONNECTOR MATING FORCES:
29.4N (3.00Kgf) MAX.;
 - CONNECTOR UNMATING FORCES:
2.94N(0.30Kgf) MIN.;



∅3.50mm 4 POLE PLUG
DETAIL DRAWING(2:1)



SCHEMATIC

NO.	DESCRIPTION	MAT,L	COLOR	REMARK
7	HOUSING	HIGH TEMP	BLACK	
6	TERMINAL 6	COPPER ALLOY		GOLD PLATED/TIN
5	TERMINAL 5	COPPER ALLOY		GOLD PLATED/TIN
4	TERMINAL 4	COPPER ALLOY		GOLD PLATED/TIN
3	TERMINAL 3	COPPER ALLOY		GOLD PLATED/TIN
2	TERMINAL 2	COPPER ALLOY		GOLD PLATED/TIN
1	TERMINAL 1	COPPER ALLOY		GOLD PLATED/TIN

CUSTOMER COPY 高迪电子有限公司

TITLE: ∅3.50 mm PHONE JACK CONNECTOR

ECN NO.	REV	DATE	DESCRIPTION	CHANGE	APPRO.	GENERAL TOLERANCE UNLESS OTHERWISE NOTED	DESIGN	CHECK	APPRO.
	D	11/26/12	依工程图升级版本	梁碧华	罗志兵	Angle ±2°			
	C	10/18/12	C1:图面规范化	彭志况	罗志兵	X ±0.20	梁碧华	谭艳斌	梁碧华
	B	09/18/12	B1:变更图面及料号	彭志况	罗志兵	.X ±0.25			
						.XX ±0.35			
							罗志兵		罗志兵

PART NO.	PRODUCT SPEC.	FILE NAME.	SCALE	UNIT:mm	A4	SHEET: 1 of 2
			4:1			