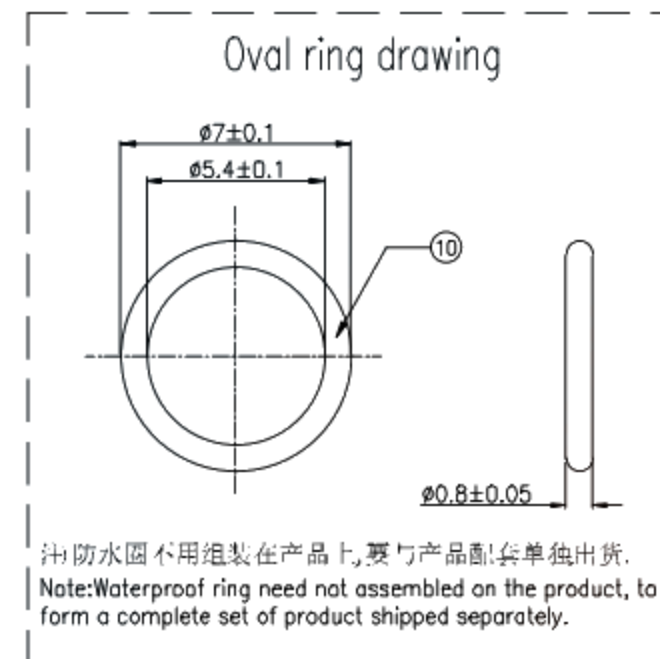
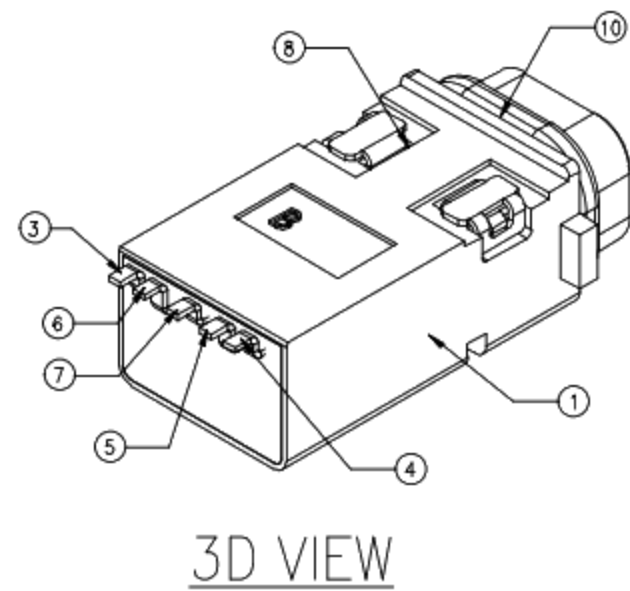
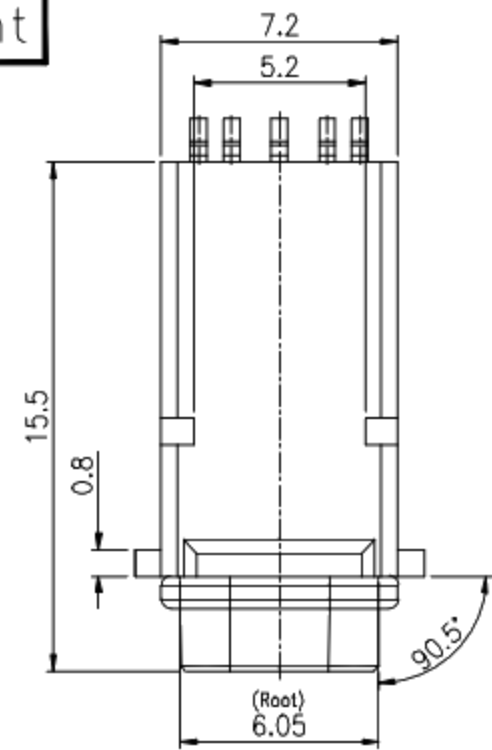
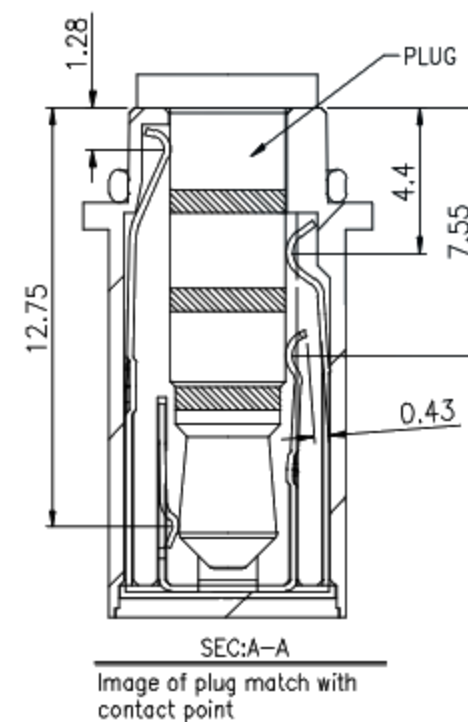
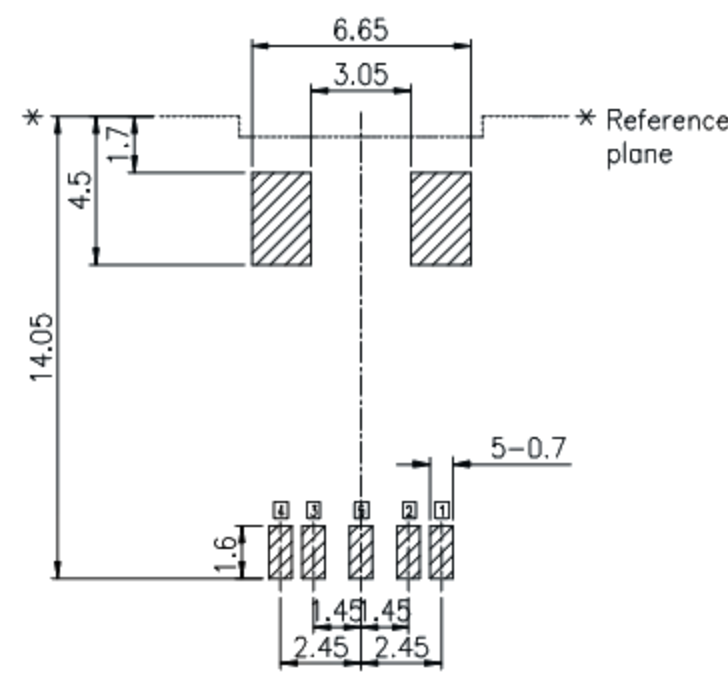
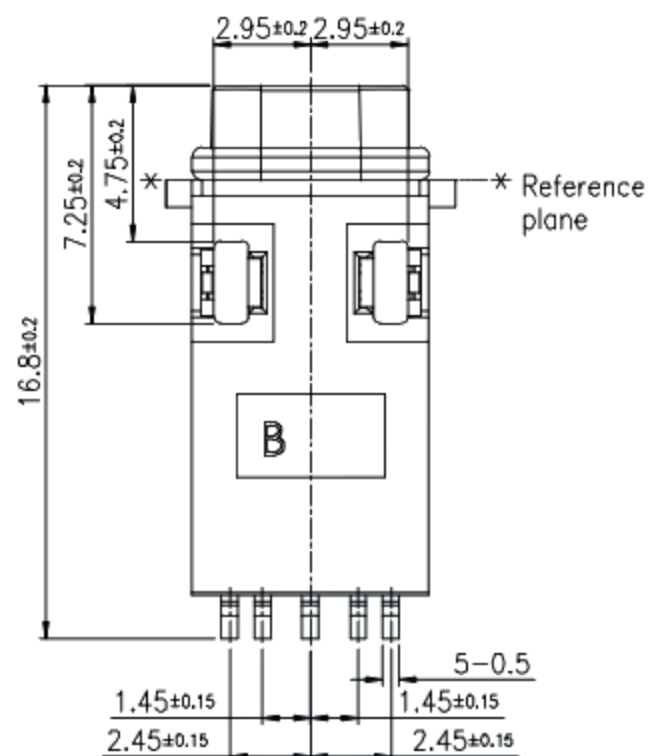
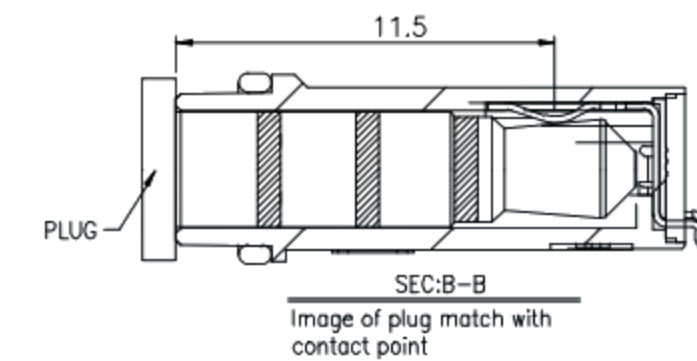
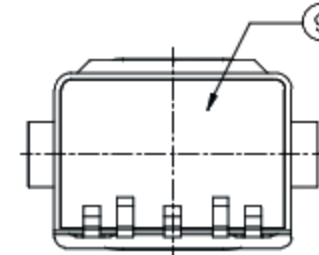
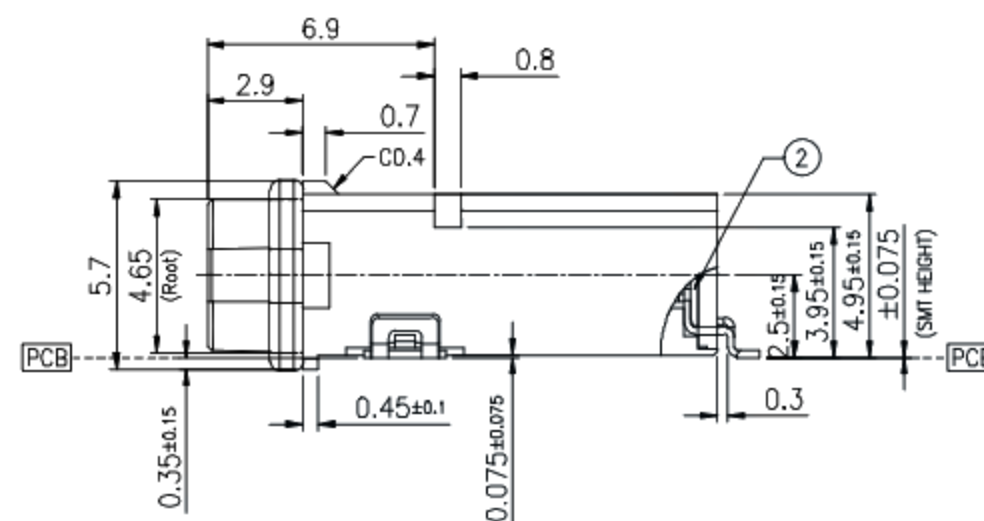
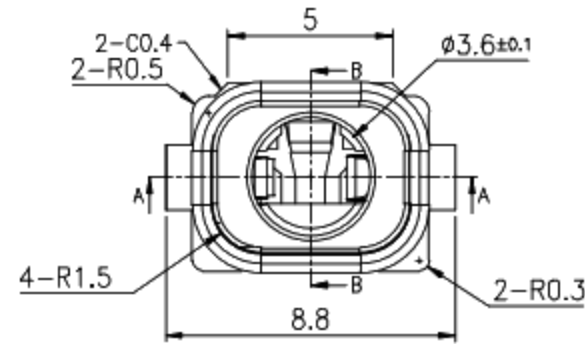


RoHS
Compliant

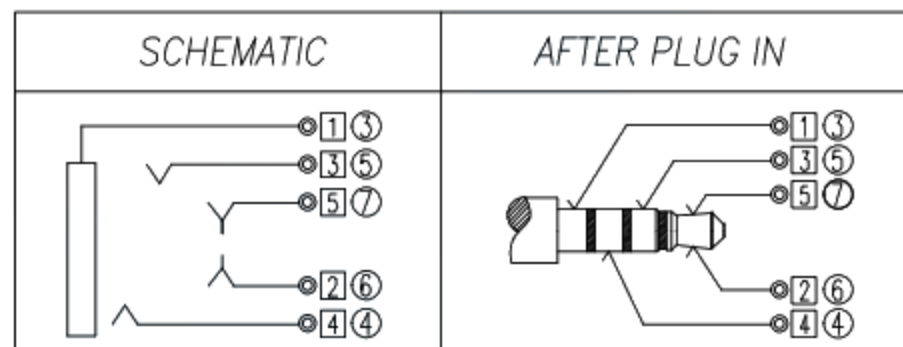
ZONE	SYMBOL	REVISION	APPROVAL	DATE
A		INITIAL	Lucky	06/20/20'



- SPECIFICATIONS:
1. RATED VOLTAGE: DC 12V
RATED CURRENT: 1A
 2. INSULATION RESISTANCE: A VOLTAGE OF 500V D.C. SHALL BE APPLIED TO THE TERMINALS, AFTER WHICH MEASUREMENT SHALL BE MADE. A GAUGE FOR THE MEASUREMENT SHALL BE USED THE INSULATED GAUGE.
 3. CONTACT RESISTANCE: 30mΩ OR LESS
 4. VOLTAGE PROOF: 500V AC FOR ONE MINUTE
 5. DURABILITY: 5,000 INSERTION/REMOVAL CYCLES (MINIMUM)
 6. INSERTION FORCE: 0.6KGF~2.0KGF
 7. WITHDRAWAL FORCE: 0.6KGF~2.0KGF
 8. WATER PROOFNESS: This product is based on IPX5/7 of the JIS Standard.
 9. USING PLUG: φ3.5MM, 4-POLE STEREO EARPHONE (LCH/RCH/GND/MIC)
PROVIDED THAT THEY CONFORM TO JIS C6560
 10. HOUSING STRENGTH IS 50N MAX



Recommended PCB Layout
Tolerance: ±0.1 (Top view)



□ : TERMINAL NO. ○ : ITEM NO.

⑩	Oval ring	----	1	SILICONE	----
⑨	BOND	----	1	EPOXY	----
⑧	TERMINAL	----	2	C2680 t=0.2	Gold flash plating Nickel 40u"min underplate
⑦	TIP SPRING-2	⑤	1	Ti-Cu t=0.2	
⑥	TIP SPRING-1	②	1	Ti-Cu t=0.2	
⑤	RING SPRING-2	③	1	Ti-Cu t=0.2	
④	RING SPRING-1	④	1	Ti-Cu t=0.2	
③	EARTH SPRING	①	1	Ti-Cu t=0.2	
②	COVER	----	1	PA9T+33%GF(GN2330)	UL-94V-0
①	HOUSING	----	1	PA9T+33%GF(GN2330)	UL-94V-0

ITEM	PART NAME	TERMINAL	QTY	MATERIAL	REMARK
------	-----------	----------	-----	----------	--------

DRAWING:	Lucky	DATE:	2020.20.06	SCALE	5:1
CHECK:	liao Y K	DATE:	2020.20.06	MATERIAL	*
APPROVAL:	Abel	DATE:	2020.20.06	DWG. NO.	A
DRAWING NO.				SHEET	1/1

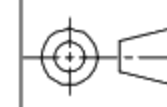
东莞市高迪电子有限公司

PART NAME: 3.5mm STEREO JACK

PART NO.

TOLERANCE UNLESS OTHERWISE SPECIFIED:
0.0±0.2
0.00±0.1
0.000±0.05

UNIT: mm



F

E

D

C

B

A