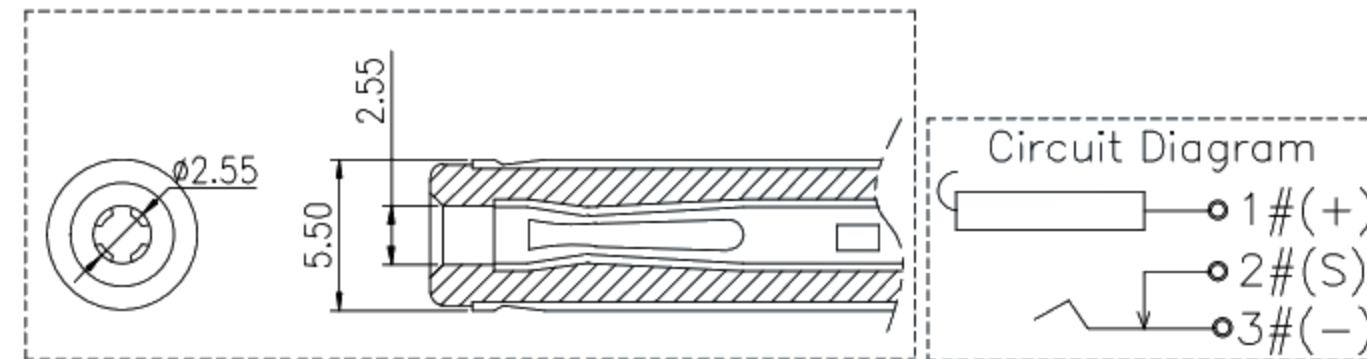
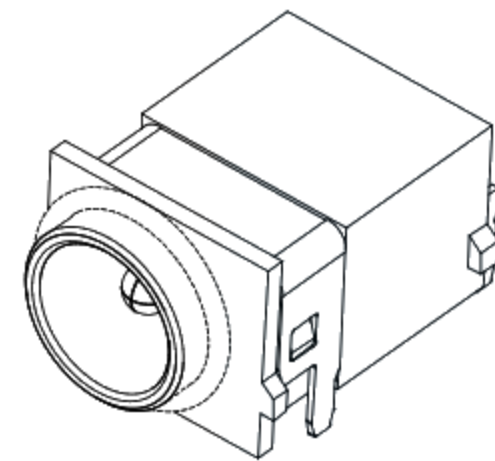
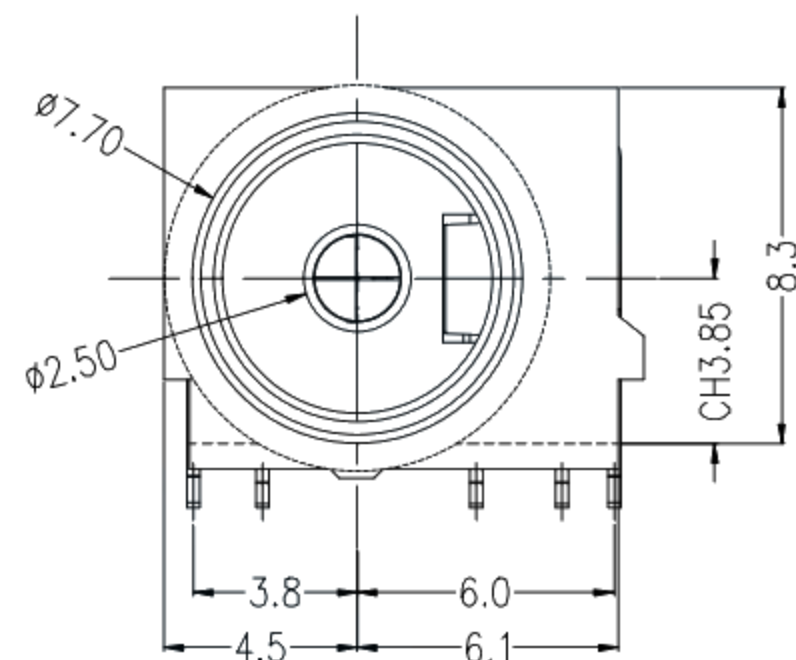
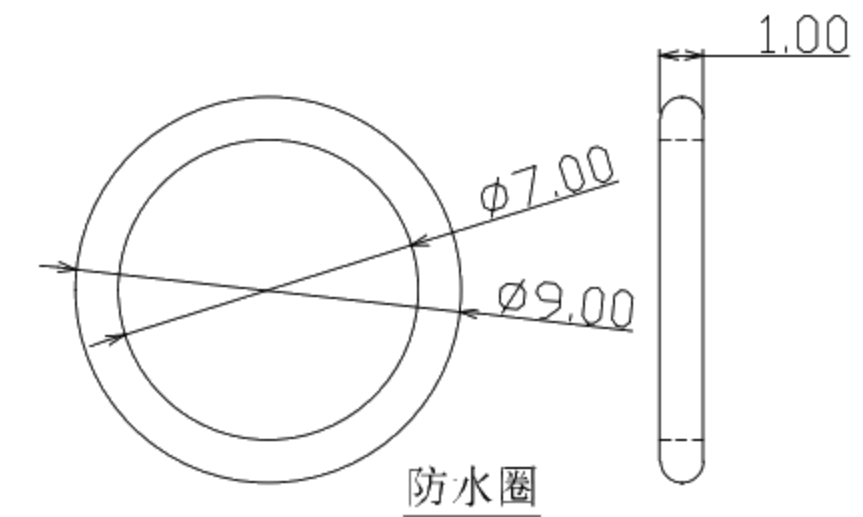
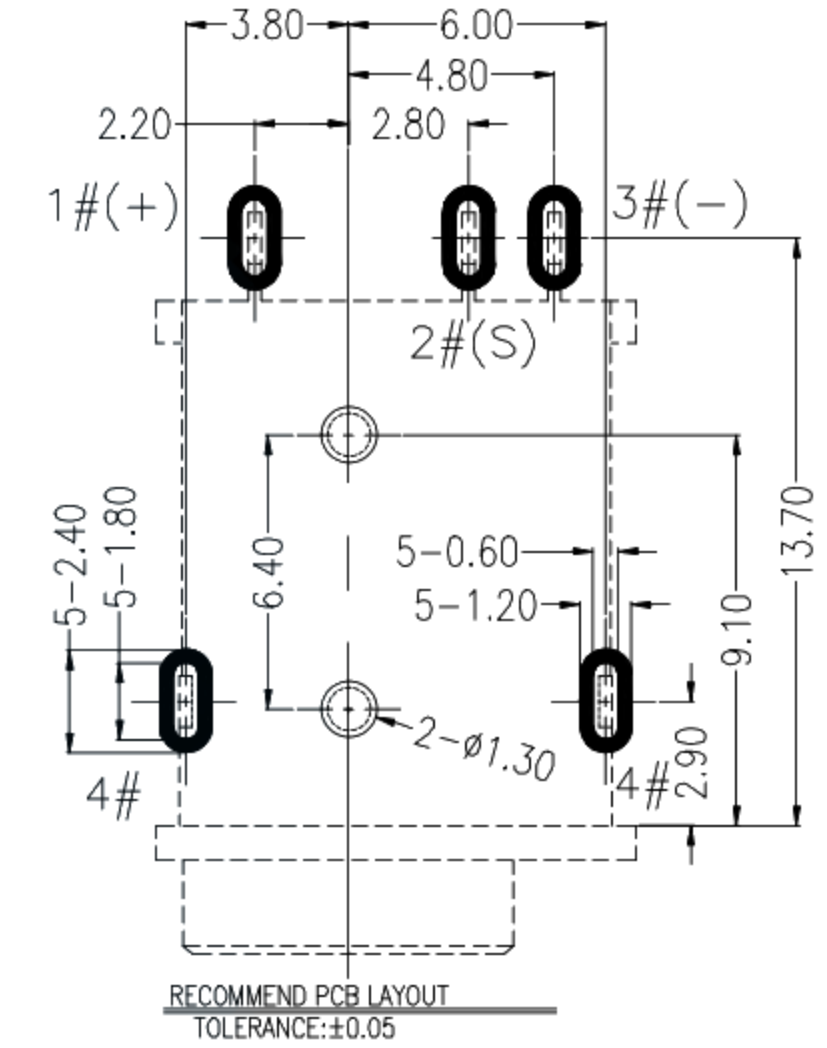
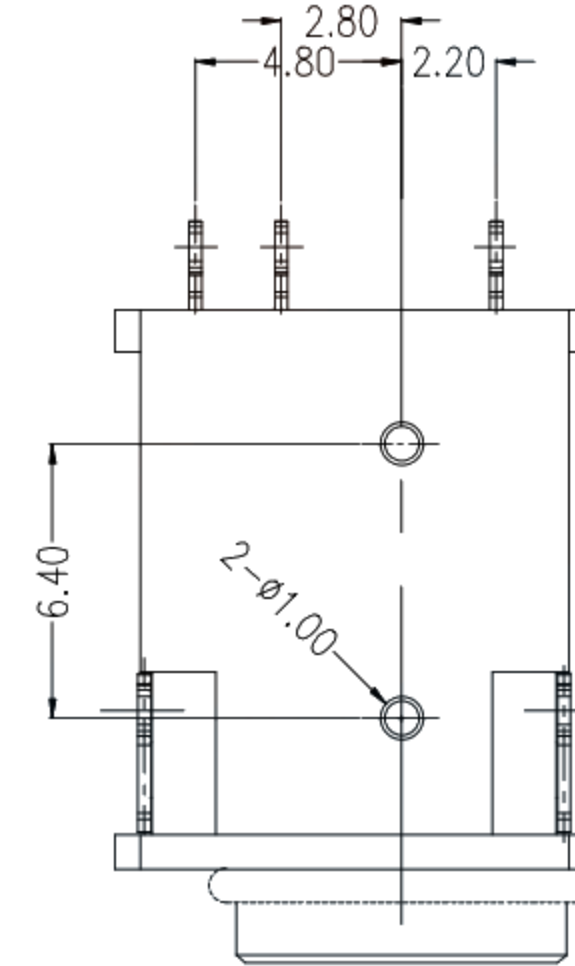
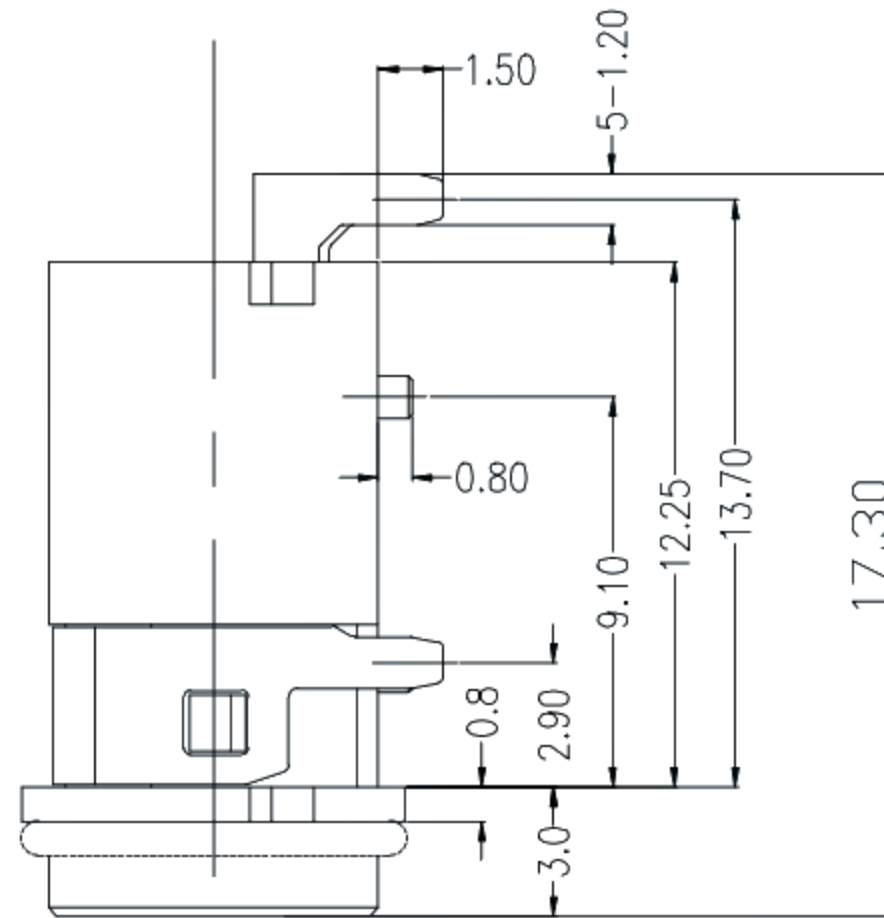
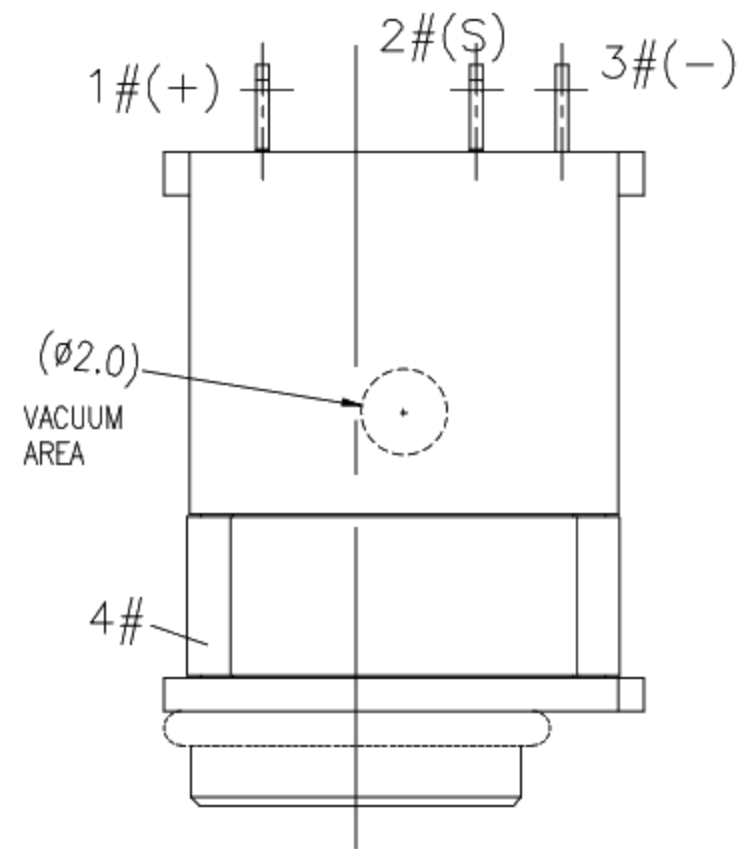
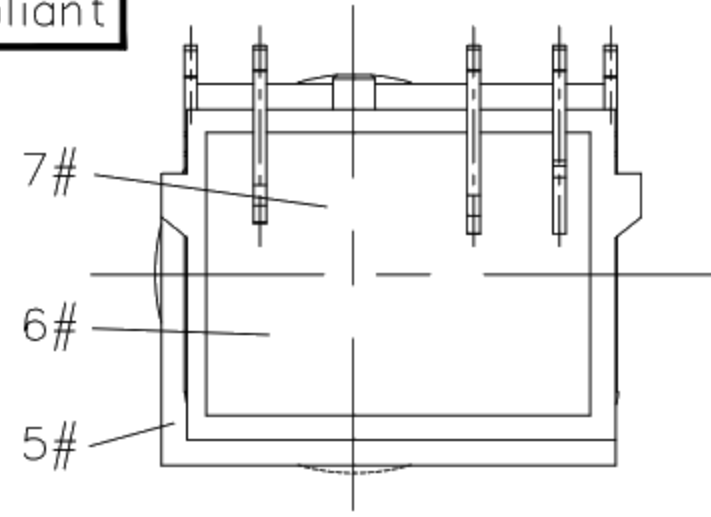


RoHS
Compliant

ZONE	SYMBOL	REVISION	APPROV	DATE
A		LSJ	WJZ	2022.04.26

Notes:

- 1.Current Rating: 24V&5A max.
- 2.Contact Resistance: 50mOhms Max.(intial)
- 3.Insulation Resistance: 100M Ohms Min./500V DC
- 4.Dielectric Withstanding Voltage: 500V AC/1Minute
- 5.Mating Force: 35N Max, Withdrawal Force: 3N Min.
- 6.Durability: 5,000 Cycles
- 7.Operating Temperature:-25°C to +85°C



ITEM	NAME	Q'TY	DESCRIPTION	NOTE
7	BOND	1	EPOXY; BLACK	
6	BACK COVER	1	HIGH TEMPERATURE; BLACK	
5	HOUSING	1	HIGH TEMPERATURE; BLACK	
4	TERMINAL 4#	1	STAINLESS STEEL; NICKEL PLATING	
3	TERMINAL 3#	1	COPPER ALLOY; NICKEL UNDER PLATING OVERALL, Sn PLATING ON SOLDER AREA, GOLD FLASH PLATING ON CONTACT AREA	
2	TERMINAL 2#	1	COPPER ALLOY; NICKEL UNDER PLATING OVERALL, Sn PLATING ON SOLDER AREA, GOLD FLASH PLATING ON CONTACT AREA	
1	CENTER PIN	1	COPPER ALLOY; NICKEL UNDER PLATING OVERALL, Sn PLATING ON SOLDER AREA, Ni FLASH PLATING ON CONTACT AREA	

东莞市高迪电子有限公司

PART NAME: DC POWER JACK
PART NO.:

TOLERANCE UNLESS OTHERWISE SPECIFIED:
0.0±0.2
0.00±0.1
0.000±0.05

UNIT: mm

DRAWING:	L Z G	DATE:	2022.04.26	SCALE:	5:1
CHECK:	X S J	DATE:	2022.04.26	MATERIAL:	*
APPROVAL:	W J Z	DATE:	2022.04.26	DWG. no.:	
DRAWING NO.:				SHEET:	