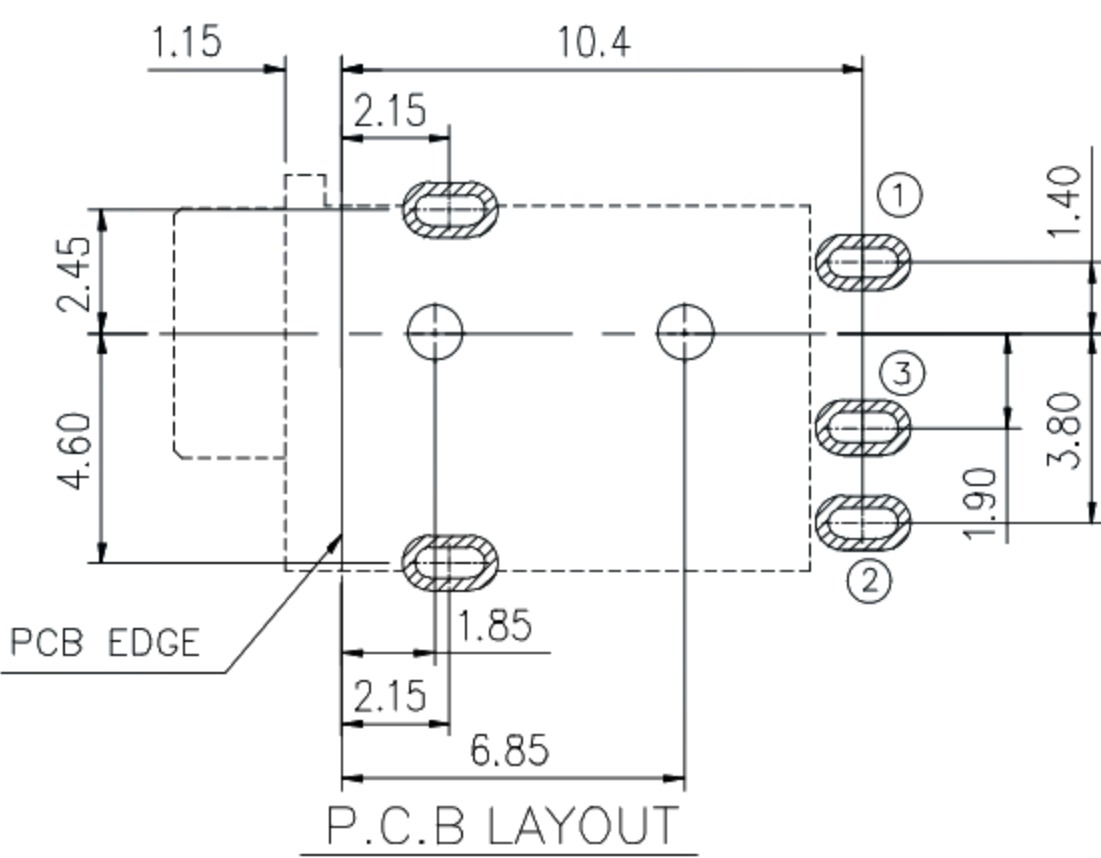
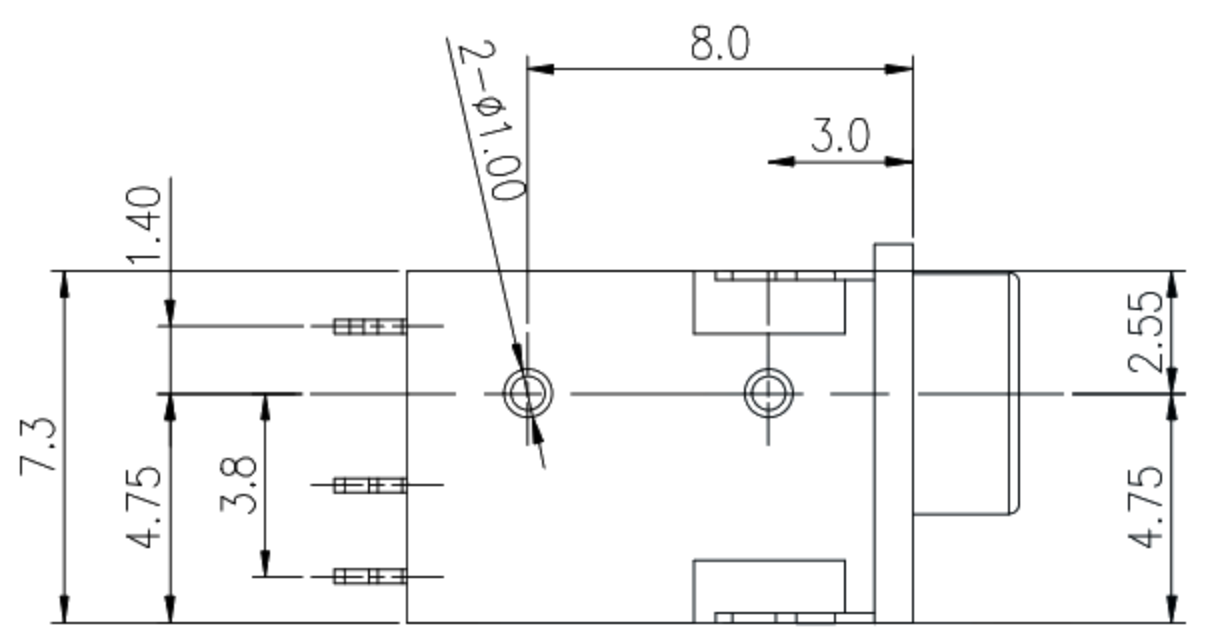
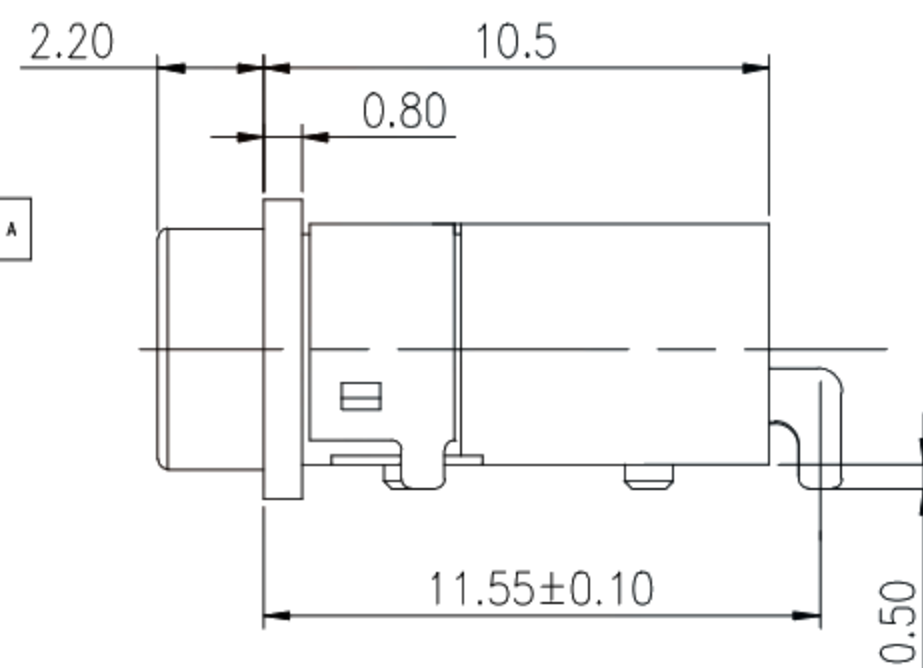
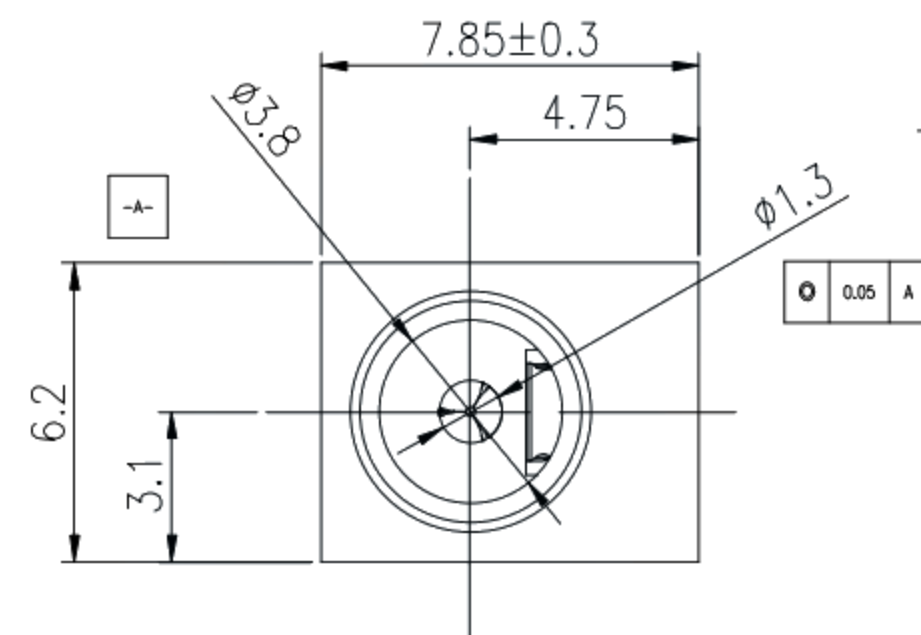
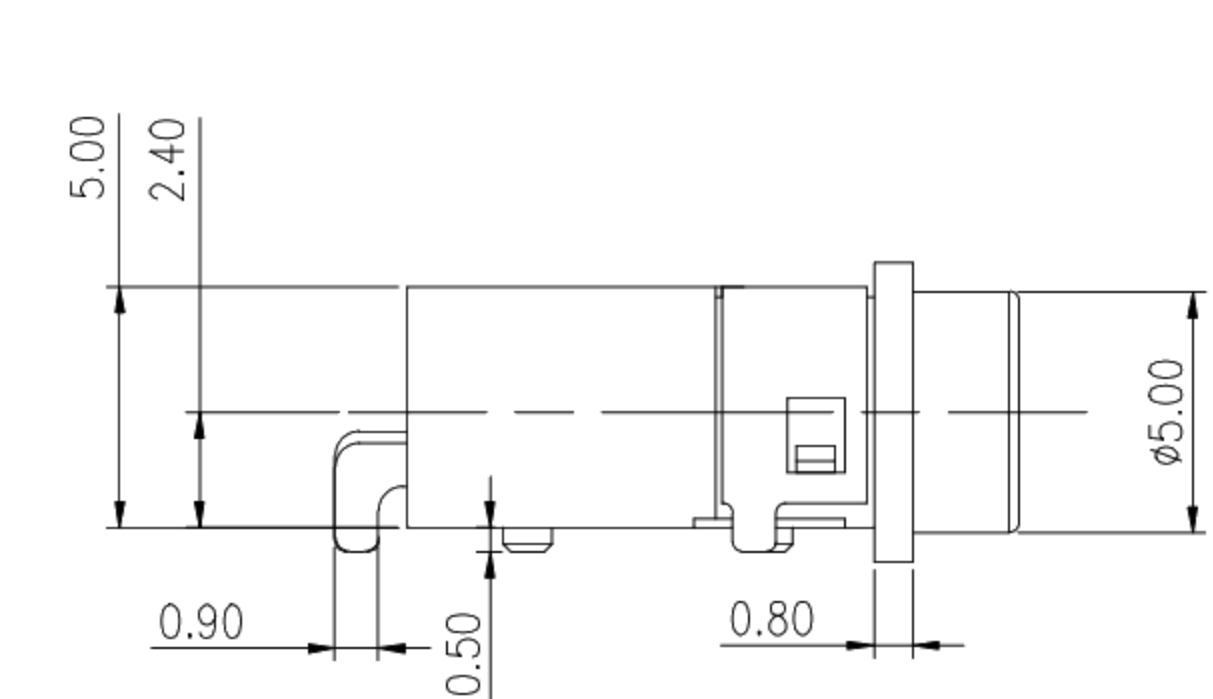


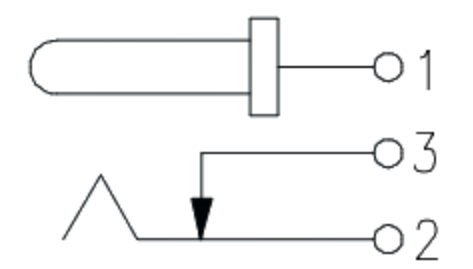
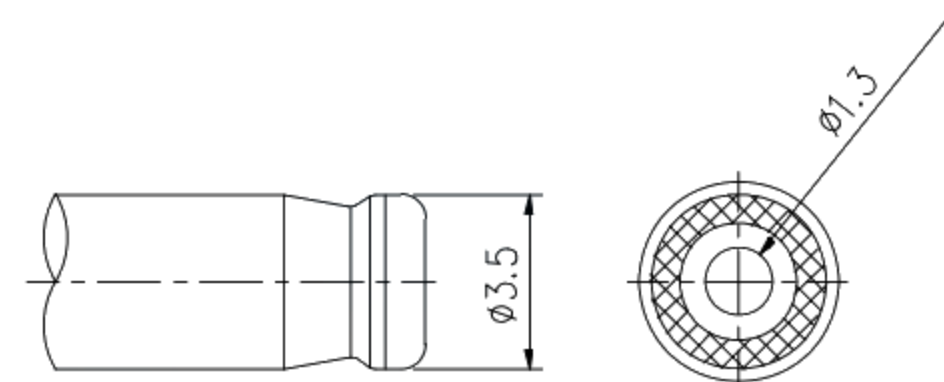
RoHS
Compliant

ZONE	SYMBOL	REVISION	APPROVAL	DATE
A		INITIAL	Lucky	06/20/20'



SPECIFICATIONS

- ELECTRICAL CHARACTERISTICS:
 - 1-1.RATING: DC 3A 12V
 - 1-2.CONTACT RESISTANCE: 30m MAX(INITAL)
 - 1-3.DIELECTRIC WITHSTANDING VOLTAGE: 500V AC FOR ONE MINUTE
 - 1-4.INSULATION RESISTANCE: 100M MIN, MEASURED BY 500V DC
- MECHANICAL PERFORMANCE
 - 2.1.OPERATING FORCE :0.5-2.0kgf
- LIFE TEST
 - 3.1.3-1.ELECTRONICS LIFE TEST 5,000 CYCLES.



NO.	PARTS	MATERIAL	QTY.	FINISHING
4	TERMINAL3	C2680-H	1	Au PLATED
3	TERMINAL1,2	C5210-H	2	Au PLATED
2	INSERT MOLDING	PA10T UL94-V0	1	BLACK
1	HOUSING	PA10T UL94-V0	1	BLACK

东莞市高迪电子有限公司

DRAWING:	Lucky	DATE:	2020.20.08	SCALE	5:1
CHECK:	liao Y K	DATE:	2020.20.06	MATERIAL	*
APPROVAL:	Abel	DATE:	2020.20.06	DWG. no.	A
DRAWING NO.				SHEET	1/1

PART NAME	TOLERANCE UNLESS OTHERWISE SPECIFIED:	UNIT:
DC POWER JACK	0.0±0.2 0.00±0.1 0.000±0.05	mm

PART NO.