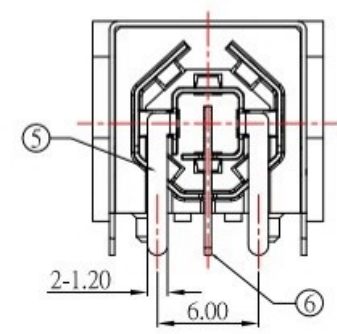
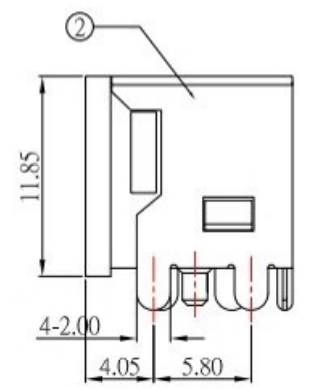
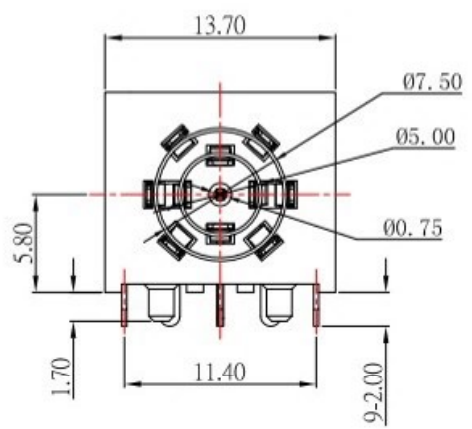


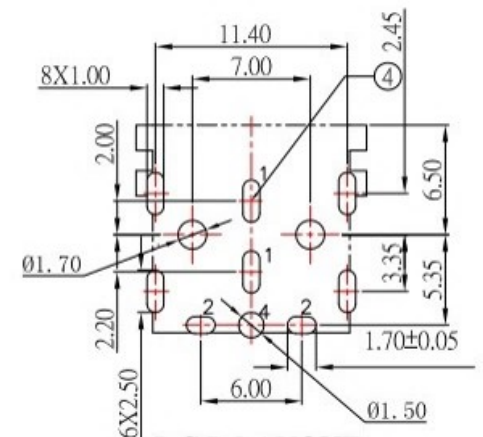
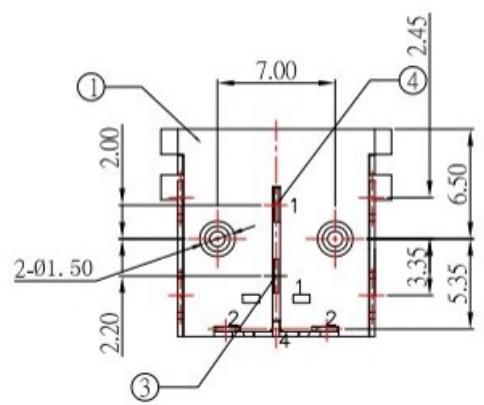
MATE PLUG Ø7.40



MODEL NO.	DC-D286CH-0.6-S214
SCHMATIC	

SPECIFICATION

1. Rating : DC 20V 5.0A
2. Contact resistance : $\leq 30m\Omega$
3. Insulation resistance : $\geq 100M\Omega$
4. Withstand voltage : 500VAC
5. Insertion and extraction force : 3-30N
6. life test : 5,000 cycles



P.C.B LAYOUT TOP VIEW

NO.	DESCRIPTION	QTY	MATERIAL	PLATING
6	POWER	1	COPPER ALLOY	Au-Plating
5	POWER PIN	1	COPPER ALLOY	Au-Plating
4	GROUND PIN2	1	COPPER ALLOY	Au-Plating
3	GROUND PIN1	1	COPPER ALLOY	Au-Plating
2	SHIED	1	COPPER ALLOY	Ni-Plating
1	HOUSING	1	HIGH TEMP PLASTIC	
NO.	DESCRIPTION	QTY	MATERIAL	PLATING

东莞市高迪电子有限公司
Dong Guan KDRR Electronic Switch Jack Co., Ltd.

ITEM NO.	DESCRIPTION	DRAWN	DATE
1	更新life test	Jack	120916

TOLERANCE UNLESS OTHERWISE STATED:
 Up to 5 ±0.2
 Above 5 ~ 15 ±0.3
 Above 15 ~ 30 ±0.4
 Above 30 ~ 50 ±0.5
 Angle ±0.3

3RD. ANGEL'S

UNITS MM

DRAWN BY:	DATE	MAT'L	TITLE	JACK
Jack Lu	12/09/16			
CHECKED BY:	DATE	FINISH	MODLE	DC JACK
Jacky Chen	12/09/16			
APPROVED BY:	DATE	SCALE	DWG NO.	DC-D286CH-0.6-S214
Tony Kao	12/09/16	1 : 1	PART NO.	DC-D286CH-0.6-S214
		SHEET NO.	1 of 1	
				SIZE A4
				VER R1