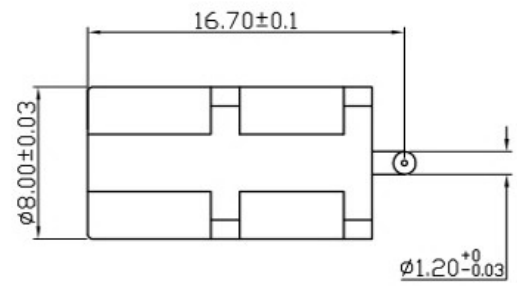
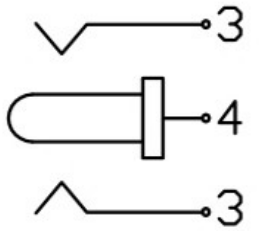
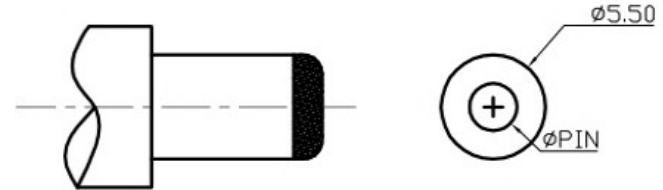
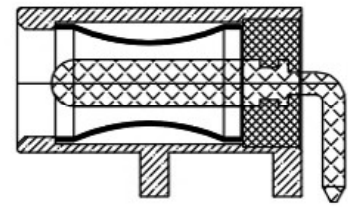
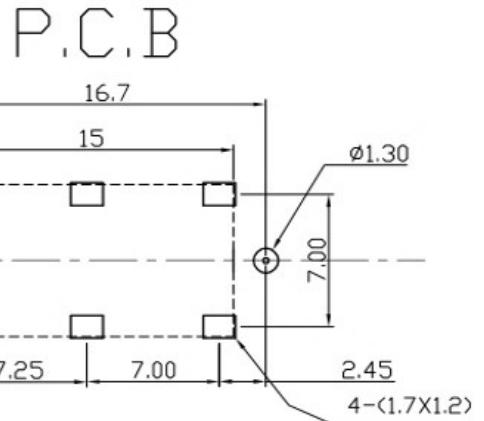
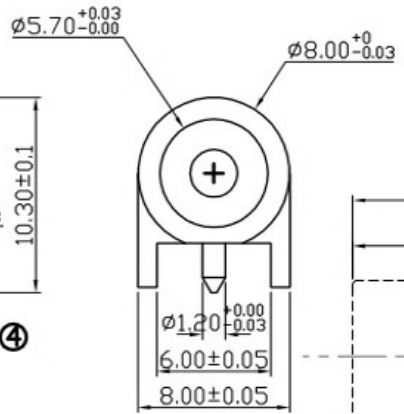
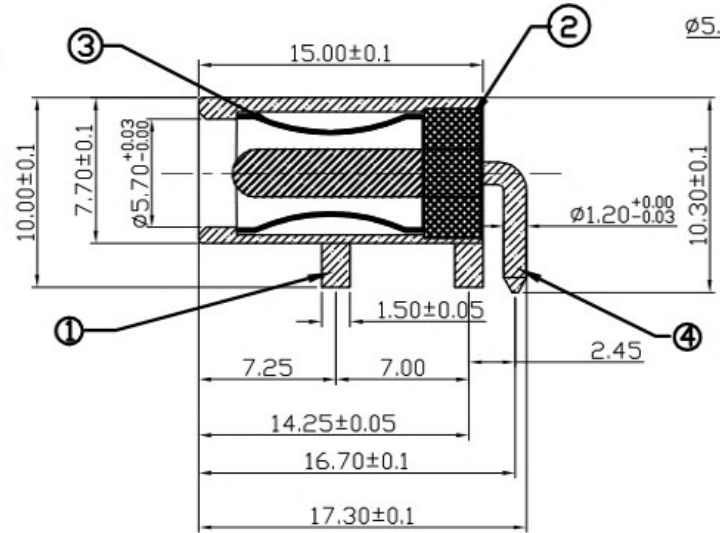
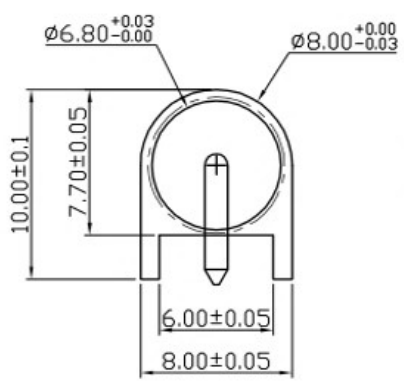


PROPRIETARY INFORMATION
COMPANY CONFIDENTIAL

REV.	ECN NO.	DESCRIPTION	DESIGN	DATE
A		INITIAL	Kai	2018.05.11



SPECIFICATION
 1. Rating : DC 30V 8A;
 2. Contact resistance: ≤30mΩ;
 3. Insulation resistance: ≥100MΩ (DC250V);
 4. Withstand voltage: 500VAC ;
 5. Insertion and extraction force: 3-30N;
 6. life test: 5,000 cycles.

PIN	∅2.0	∅2.5
APPD		

3	SHELL	1	PHORPHOS BRONZE; THE BOTTOM OF THE NICKEL(40u"MIN.); THE WHOLE GOLD FLASH PLATING.
2	CONCTOR PIN	1	BRASS; THE BOTTOM OF THE NICKEL(40u"MIN.); THE WHOLE GOLD FLASH PLATING.
1	HOUSING	1	PA9T COLOR BLACK
ITEM	NAME	Q'TY	DESCRIPTION

UNLESS OTHERWISE SPECIFIED TOLERANCES

DECIMALS:		ANGLES:	
DIM	TOL	DIM	TOL
X.	±0.50	X.	±2'
X.X	±0.30	X.X	±1'
X.XX	±0.20	X.XX	—
X.XXX	±0.10	X.XXX	—

东莞市高迪电子有限公司

DWG NO.		PART NAME: DC POWER JACK	
DESIGN:		PART NO.	
CHECK:		REV.	UNIT:
APPROVED		A	mm
		SHEET:	1/1

由 Autodesk 教育版产品制作

由 Autodesk 教育版产品制作