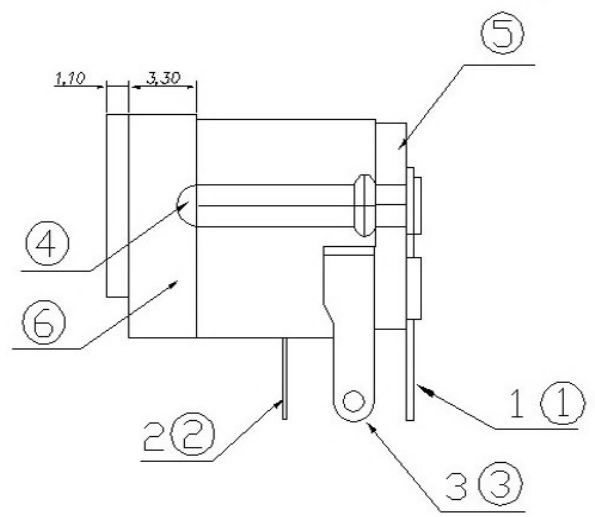
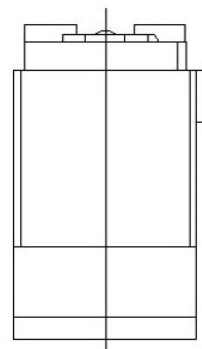
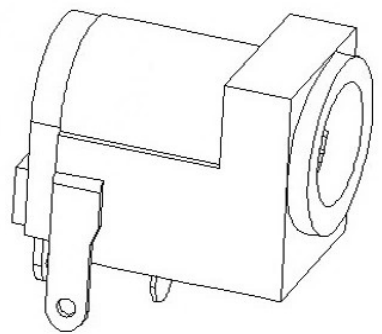
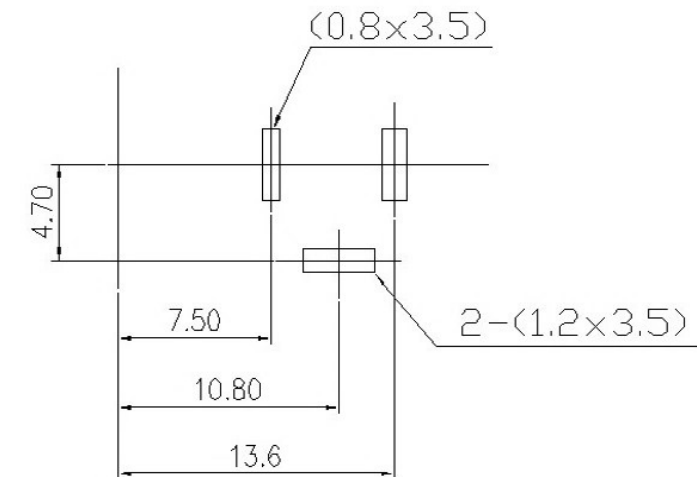
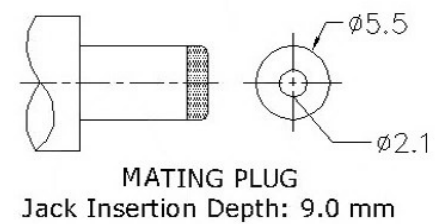
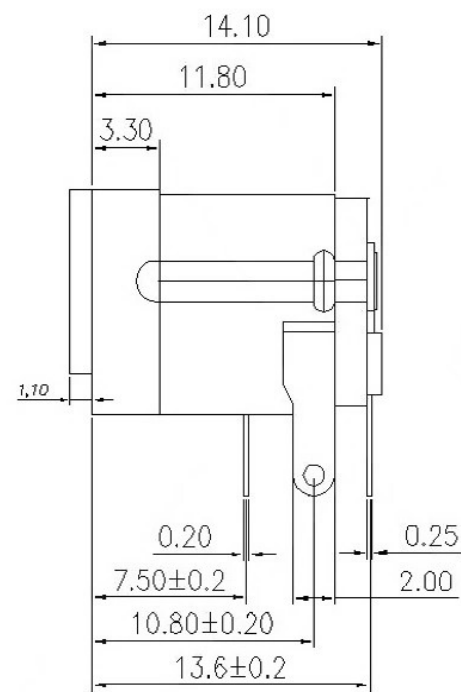
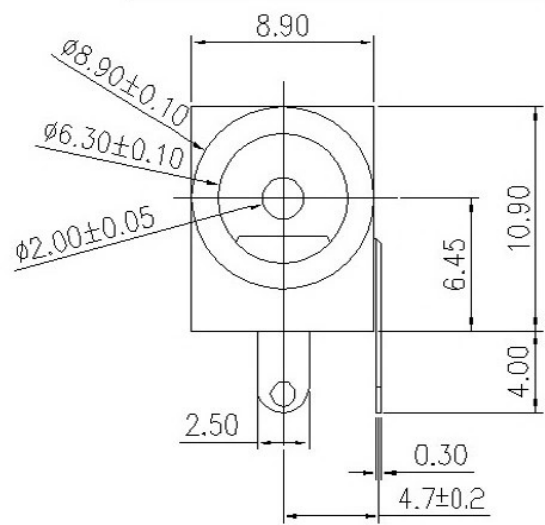


SYMB	REVISION	DATE	APVD.



PCB LAYOUT TOP VIEW

SCHEMATIC	
Model	DC-005E
Center Pin	Ø2.0 mm
	Ø2.5 mm

TITLE	DC POWER JACK	DRAWN	L.Liu	TOLERANCE OTHERWISE UNLESS SPECIFIED	8			
PART NO.		CHECKED	G.C.Chen	UP TO 5	±0.2	7		
DRAW NO.		APPROVED	H.K.Lai	ABOVE 5 ~ 30	±0.3	6		
SCALE: 3:2	UNIT: mm	DATE:		ABOVE 30 ~ 50	±0.4	5		
				ABOVE 50	±0.5	4		
				ANGLE	±3'	3		
						2		
						1		

東莞市黃江兆盛開關廠