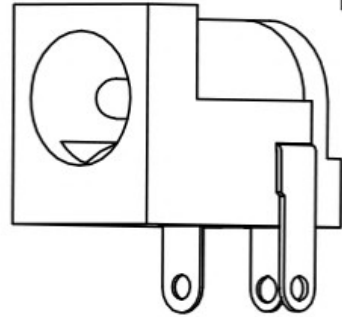
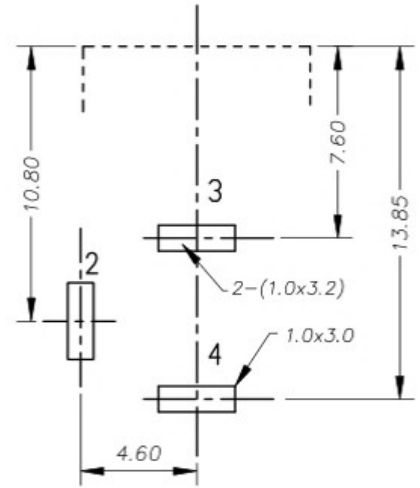


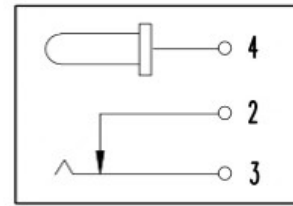
REV.	ECN NO.	DESCRIPTION	DESIGN	DATE
A	XXXXXXX	INITIAL	Ksi	2017.09.11



3D VIEW



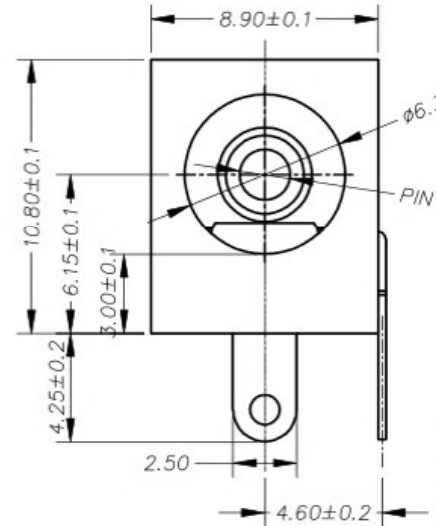
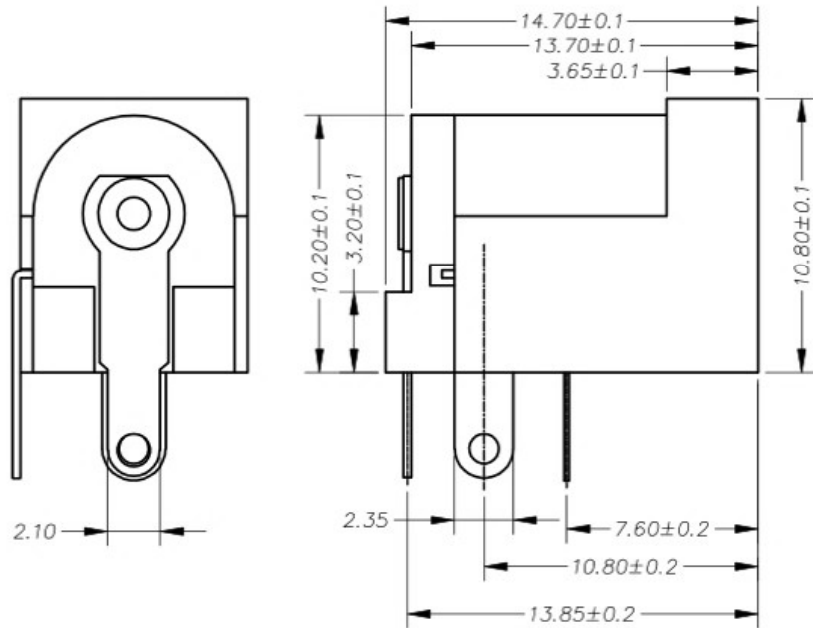
P.C.B LAYOUT
TOP VIEW



SCHEMATIC

NOTES:

- CONTACT CURRENT RATING: 1A.
- CONTACT RESISTANCE: 50 mΩ MAX.;
- INSULATION RESISTANCE: 100Ω MIN.;
- DIELECTRIC WITHSTANDING: 500V AC MIN.;
- DURABILITY: 5,000 CYCLES MIN.;
- CONNECTOR MATING FORCES: 20N (2.00Kgf) MAX.;
- CONNECTOR UNMATING FORCES: 2.94N(0.30Kgf) MIN.;



PIN	φ2.0	φ2.5
-----	------	------

ITEM	PART NAME	Q'TY	MATERIAL	DESCRIPTION	REMARK
⑥	CONTACT D	1	BRASS	Ag PLATED	
⑤	CONTACT C	1	BRASS 0.30T	Ag PLATED	
④	CONTACT B	1	BRASS 0.30T	Ag PLATED	
③	CONTACT A	1	MANGANESE STEEL 0.20T	Ag PLATED	
②	BACK COVER	1	PPA		Black
①	HOUSING	1	PPA		Black

UNLESS OTHERWISE SPECIFIED TOLERANCES

DECIMALS:		ANGLES:	
DIM	TOL	DIM	TOL
X.	±0.30	X.	±2°
X.X	±0.25	X.X	±1'
X.XX	±0.20	X.XX	—
X.XXX	±0.10	X.XXX	—

东莞市高迪电子有限公司

DWG NO.	Q/XM-CP-RD-0005	PART NAME: DC JACK	
DESIGN:		PART NO.	
CHECK:		REV.	UNIT: mm
APPROVED		SHEET:	1/1