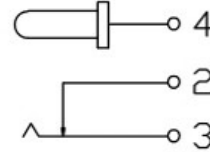
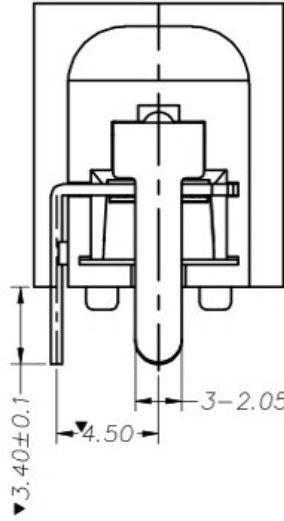
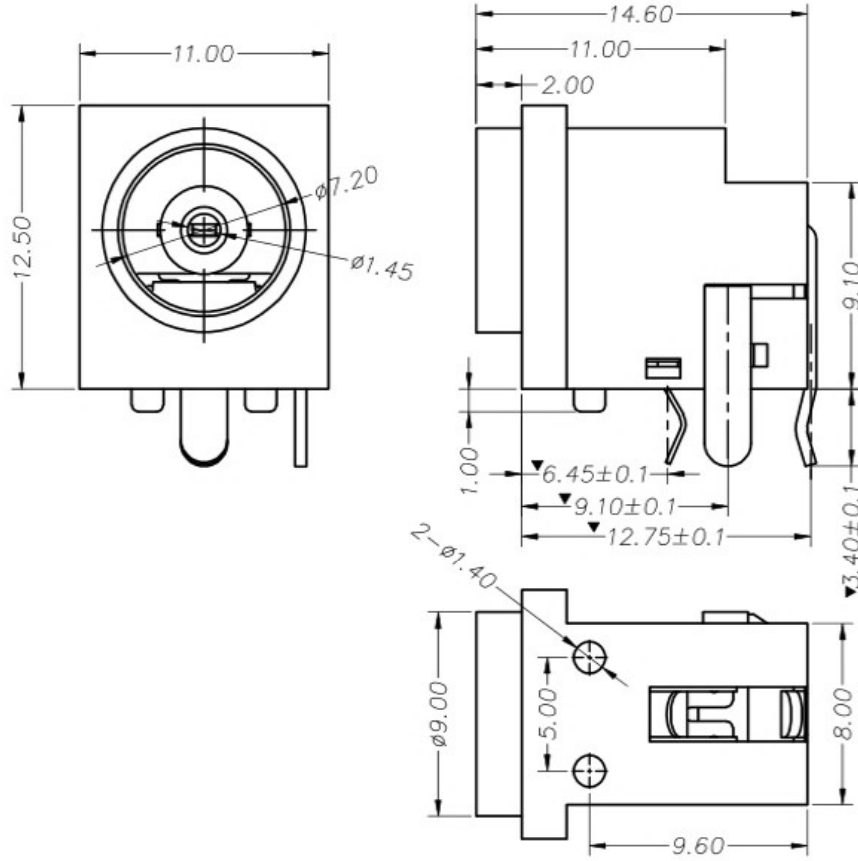
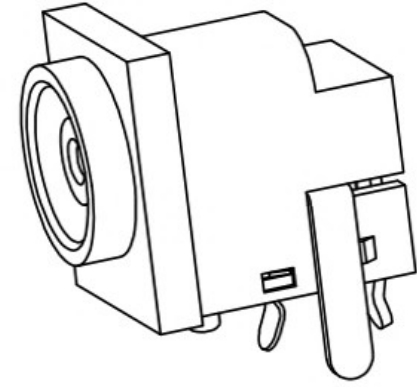


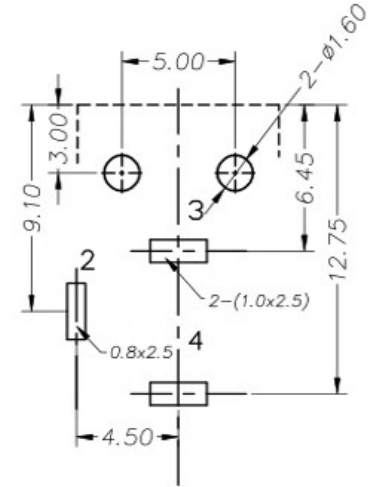
REV.	ECN NO.	DESCRIPTION	DESIGN	DATE
A		INITIAL	Kai	2011.07.25



SCHMATIC



3D VIEW



P.C.B LAYOUT TOP VIEW

NOTES:

- CONTACT CURRENT RATING: 0.5A.
- CONTACT RESISTANCE: 50 m Ω MAX.;
- INSULATION RESISTANCE: 1000 Ω MIN.;
- DIELECTRIC WITHSTANDING: 500V AC MIN.;
- DURABILITY: 5,000 CYCLES MIN.;
- CONNECTOR MATING FORCES: 29.4N (3.00Kgf) MAX.;
- CONNECTOR UNMATING FORCES: 2.94N(0.30Kgf) MIN.;

ITEM	PART NAME	Q'TY	MATERIAL	REMARK
④	CONTACT 3#	1	PHORPHOS BRONZE; THE BOTTOM OF THE NICKEL ; THE WHOLE SILVER PLATING.	T=0.2
③	CONTACT 2#	1	PHORPHOS BRONZE; THE BOTTOM OF THE NICKEL ; THE WHOLE SILVER PLATING.	T=0.5
②	CONTACT 1#	1	STAINLESS STEEL; THE BOTTOM OF THE NICKEL ; THE WHOLE SILVER PLATING.	T=0.2
①	HOUSING	1	PBT COLOR BLACK	T=0.2

UNLESS OTHERWISE SPECIFIED TOLERANCES				东莞市高迪电子有限公司			
DECIMALS:		ANGLES:		DWG NO.	PART NAME:		
DIM	TOL	DIM	TOL	DESIGN: Kai	DC POWER JACK		
X.	±0.50	X.	±2°	2011.07.25	PART NO.		
X.X	±0.30	X.X	±1°	CHECK: /			
X.XX	±0.20	X.XX	///	APPROVED Lucky	REV. A	UNIT: mm	SHEET: 1/1
X.XXX	±0.10	X.XXX	///	2011.07.25			