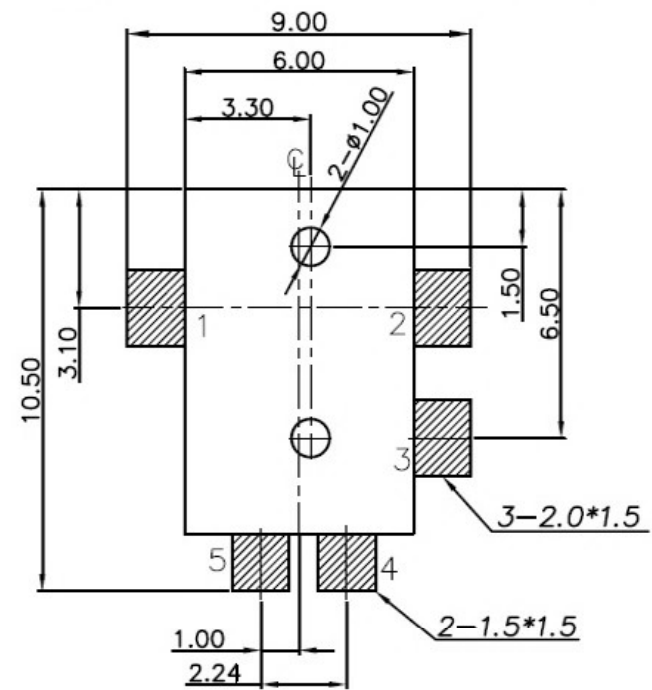
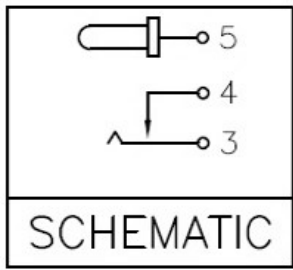
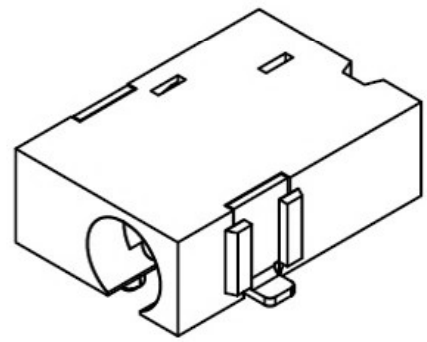
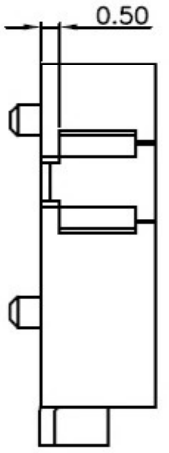
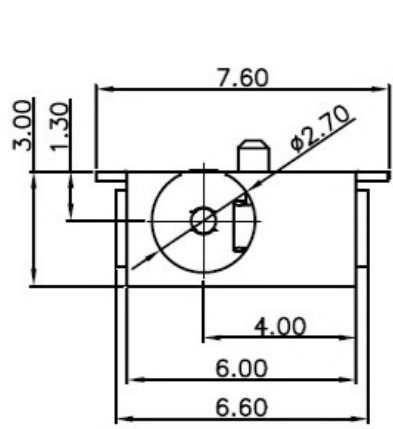
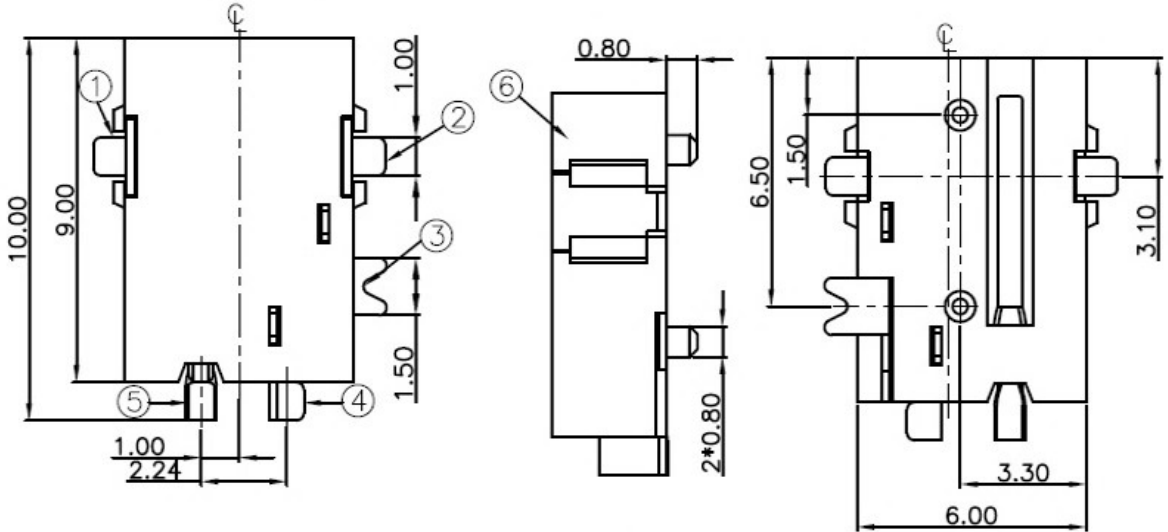


PROPRIETARY INFORMATION  
COMPANY CONFIDENTIAL

REV.	ECN NO.	DESCRIPTION	DESIGN	DATE
A		INITIAL	Kai	2018.05.11



P.C.B LAYOUT TOP VIEW

- SPECIFICATIONS:
- ELECTRICAL CHARACTERISTICS:
    - 1-1. RATING: 24V 3A
    - 1-2. CONTACT RESISTANCE: 30m $\Omega$  MAX.(INITIAL)
    - 1-3. DIELECTRIC WITHSTANDING VOLTAGE: 500V AC FOR ONE MINUTE
    - 1-4. INSULATION RESISTANCE: 100M MIN. MEASURED BY 500V DC
  - MECHANICAL CHARACTERISTICS:
    - 2-1. INSERTION FORCE : 0.3~3.0 KGF
    - 2-2. WITHDRAWAL FORCE : 0.3~3.0 KGF
  - LIFE TEST: 5,000 CYCLES MIN.
  - FOR REFLOW SOLDERING LEAD-FREE PROCESS.

ITEM	NAME	Q'TY	DESCRIPTION	NOTE
3	SHELL	1	PHORPHOS BRONZE; THE BOTTOM OF THE NICKEL(40u"MIN.); THE WHOLE GOLD FLASH PLATING.	
2	CONCTOR PIN	1	BRASS; THE BOTTOM OF THE NICKEL(40u"MIN.); THE WHOLE GOLD FLASH PLATING.	
1	HOUSING	1	PA9T COLOR BLACK	

UNLESS OTHERWISE SPECIFIED TOLERANCES			
DECIMALS:		ANGLES:	
DIM	TOL	DIM	TOL
X.	$\pm 0.50$	X.	$\pm 2'$
X.X	$\pm 0.30$	X.X	$\pm 1'$
X.XX	$\pm 0.20$	X.XX	—
X.XXX	$\pm 0.10$	X.XXX	—

东莞市高迪电子有限公司

DWG NO.	PART NAME: DC POWER JACK
DESIGN:	PART NO.
CHECK:	REV. A
APPROVED	UNIT: mm
	SHEET: 1/1

由 Autodesk 教育版产品制作

由 Autodesk 教育版产品制作