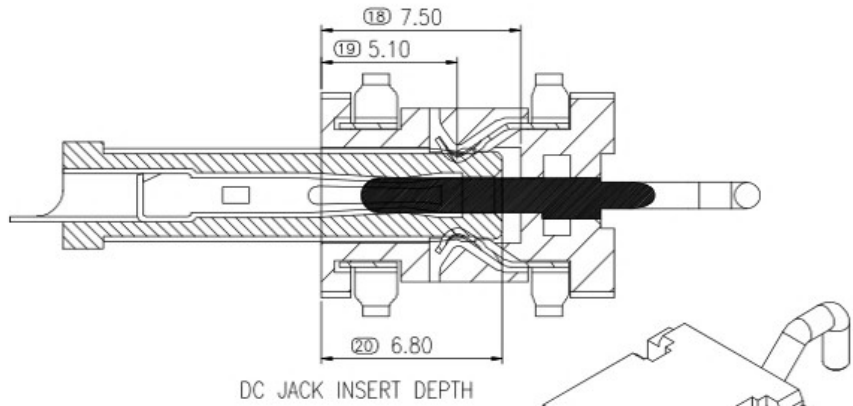
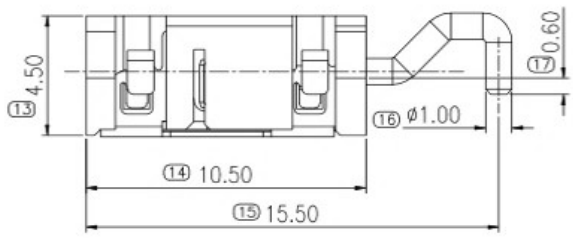
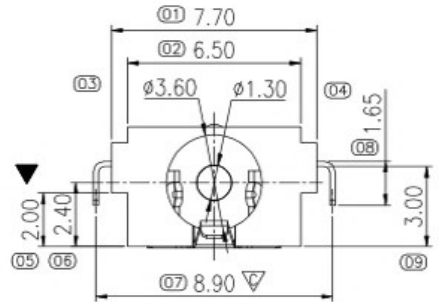
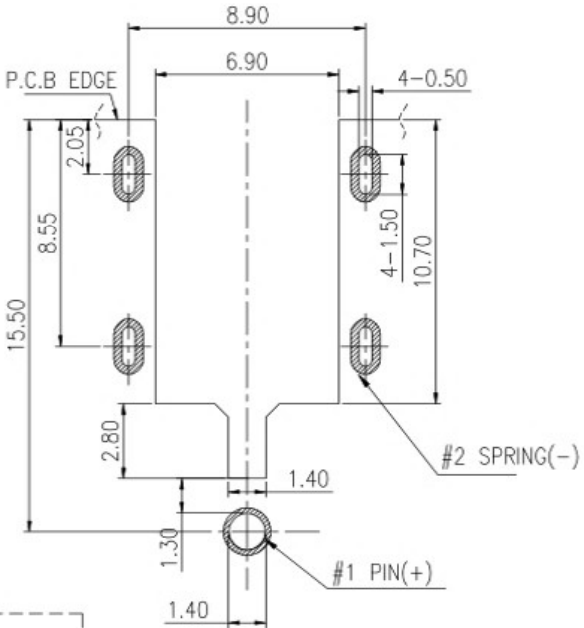
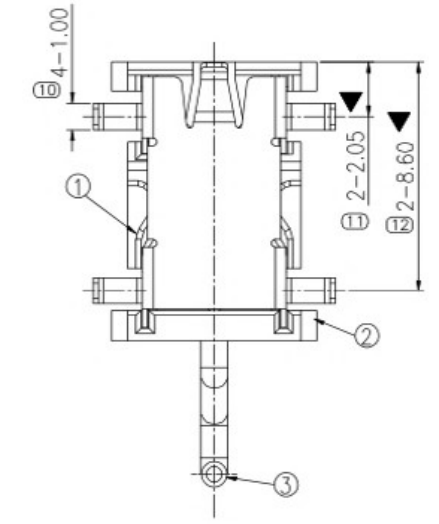


REV.	ECN NO.	DESCRIPTION	DESIGN	DATE
A	XXXXXXX	INITIAL	Staven	2011.06.10



3D VIEW



RECOMMENDED PCB LAYOUT
TOP VIEW (TOLERANCE: ±0.05)

SPECIFICATIONS:

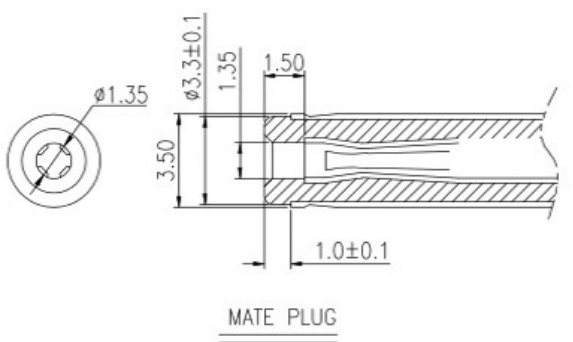
- ELECTRICAL CHARACTERISTICS:
 - 1-1. RATING: 24V 3A
 - 1-2. CONTACT RESISTANCE: 30mΩ MAX.(INITIAL)
 - 1-3. DIELECTRIC WITHSTANDING VOLTAGE: 500V AC FOR ONE MINUTE
 - 1-4. INSULATION RESISTANCE: 100MΩ MIN. MEASURED BY 500V DC
- MECHANICAL CHARACTERISTICS:
 - 2-1. INSERTION FORCE : 0.3~3.0 KGF
 - 2-2. WITHDRAWAL FORCE : 0.3~3.0 KGF
- LIFE TEST: 5,000 CYCLES MIN.
- FOR REFLOW SOLDERING LEAD-FREE PROCESS.
- ▼ REPRESENT CRITICAL DIMENSIONS.
- ▽ CPK CONTROLLED DIMENSIONS.

NO.	DESCRIPTION	QTY	MATERIAL	PLATING & COLOR
③	CENTER PIN	1	BRASS φ1.30	Au
②	TERMINAL	1	PHOSPHOR BRONZE 0.2t	Au
①	HOUSING	1	PAA	Black

UNLESS OTHERWISE SPECIFIED TOLERANCES

东莞市高迪电子有限公司

DECIMALS:	ANGLES:	DWG NO.	PART NAME:
DIM TOL	DIM TOL	DESIGN: 2017.07.15	DC 电源插座
X. ±0.50	X. ±2°	CHECK:	PART NO.
X.X ±0.30	X.X ±1°	APPROVED	
X.XX ±0.20	X.XX		REV. UNIT: SHEET:
X.XXX ±0.10	X.XXX		A mm 1/1



MATE PLUG



ELECTRICAL CIRCUIT