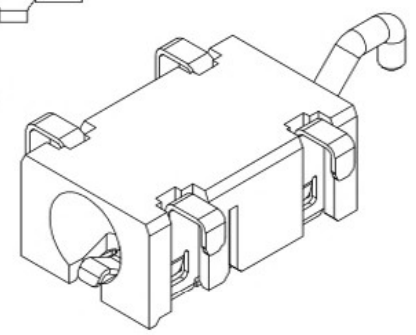
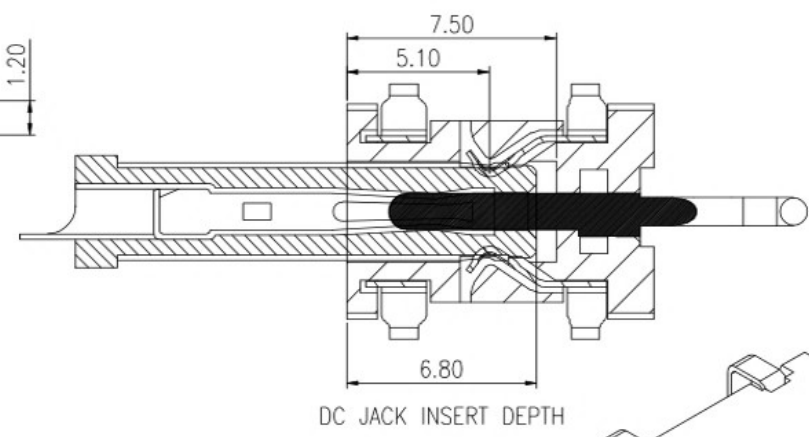
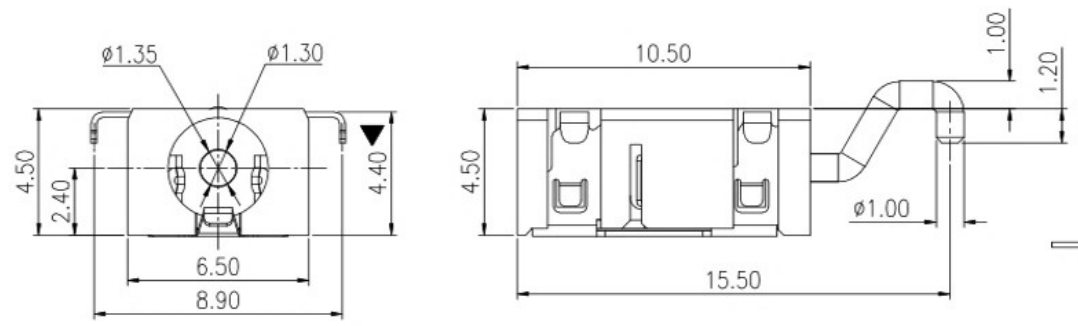


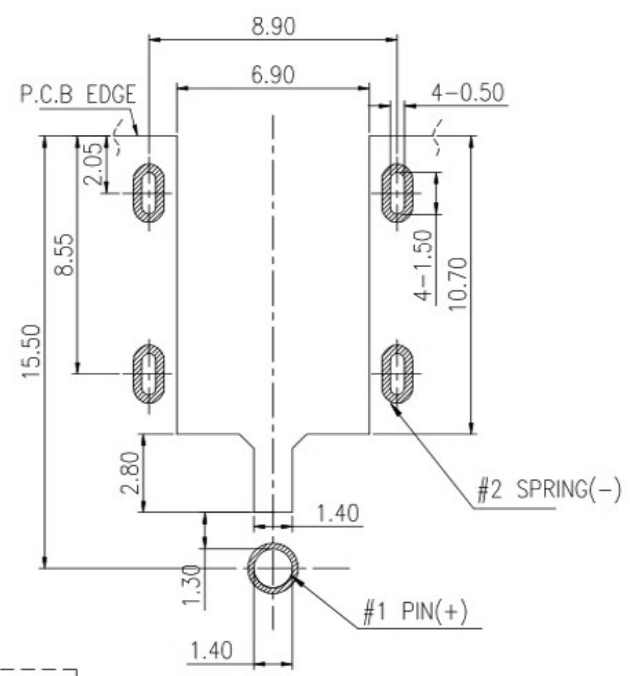
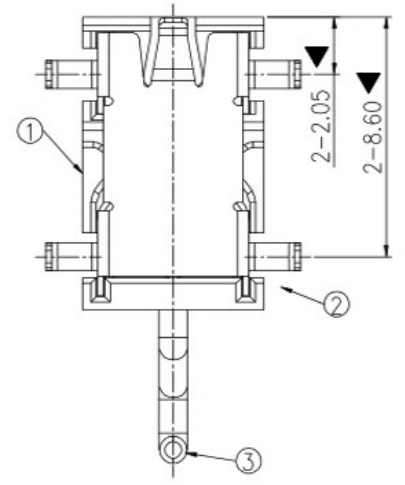
REV.	ECN NO.	DESCRIPTION	DESIGN	DATE
A	XXXXXXX	INITIAL	Kai	2018.05.09



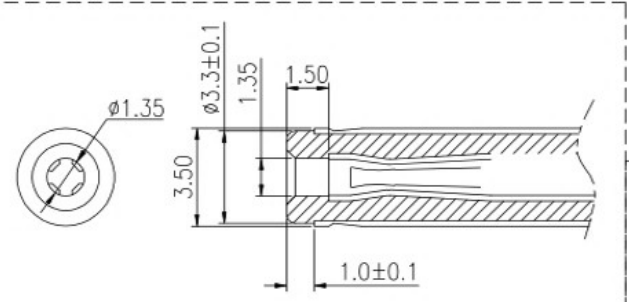
3D VIEW

SPECIFICATIONS:

- ELECTRICAL CHARACTERISTICS:
 - RATING: 24V 3A
 - CONTACT RESISTANCE: 30mΩ MAX.(INITIAL)
 - DIELECTRIC WITHSTANDING VOLTAGE: 500V AC FOR ONE MINUTE
 - INSULATION RESISTANCE: 100MΩ MIN. MEASURED BY 500V DC
- MECHANICAL CHARACTERISTICS:
 - INSERTION FORCE : 0.3~3.0 KGF
 - WITHDRAWAL FORCE : 0.3~3.0 KGF
- LIFE TEST: 5,000 CYCLES MIN.
- FOR REFLOW SOLDERING LEAD-FREE PROCESS.
- ▼ REPRESENT CRITICAL DIMENSIONS.
- ▽ CPK CONTROLLED DIMENSIONS.



RECOMMENDED PCB LAYOUT
TOP VIEW (TOLERANCE:±0.05)



MATE PLUG



ELECTRICAL CIRCUIT

③	CENTER PIN	1	BRASS ϕ 1.30	Au
②	TERMINAL	1	PHOSPHOR BRONZE 0.2t	Au
①	HOUSING	1	PPA	Black
NO.	DESCRIPTION	QTY	MATERIAL	PLATING & COLOR

UNLESS OTHERWISE SPECIFIED TOLERANCES

东莞市高迪电子有限公司

DECIMALS:	ANGLES:	DWG NO.	PART NAME:
DIM TOL	DIM TOL	DESIGN:	DC电源插座
X. ±0.50	X. ±2'	CHECK:	PART NO.
X.X ±0.30	X.X ±1'	APPROVED	REV. UNIT: SHEET:
X.XX ±0.20	X.XX		A mm 1/1
X.XXX ±0.10	X.XXX		