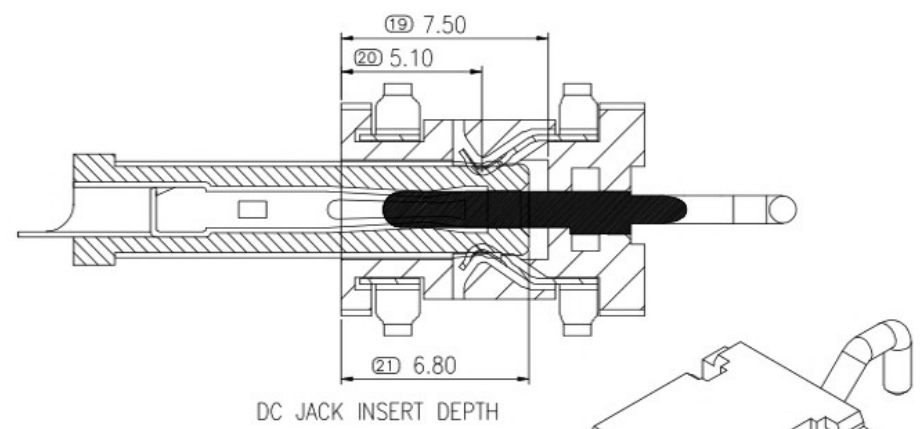
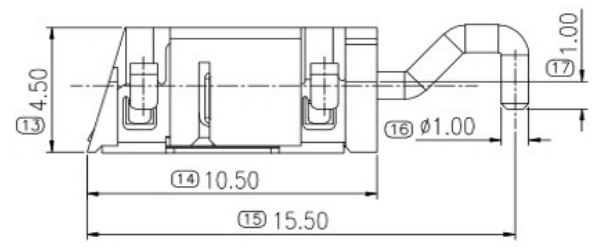
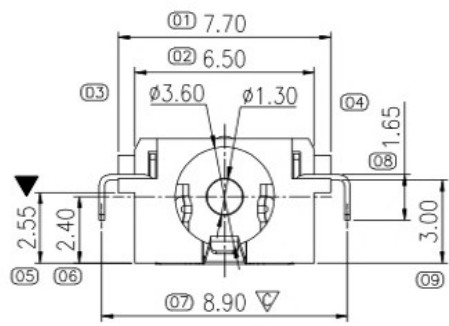


REV.	ECN NO.	DESCRIPTION	DESIGN	DATE
A	XXXXXX	INITIAL	Kai	2017.07.24

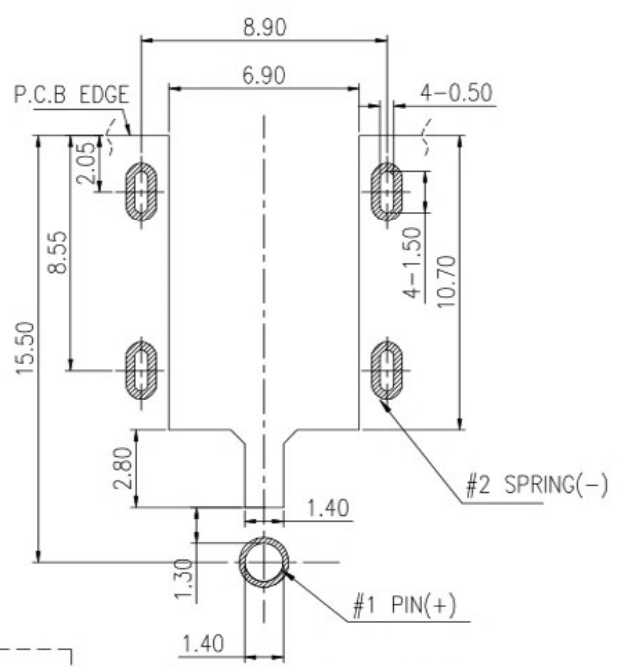
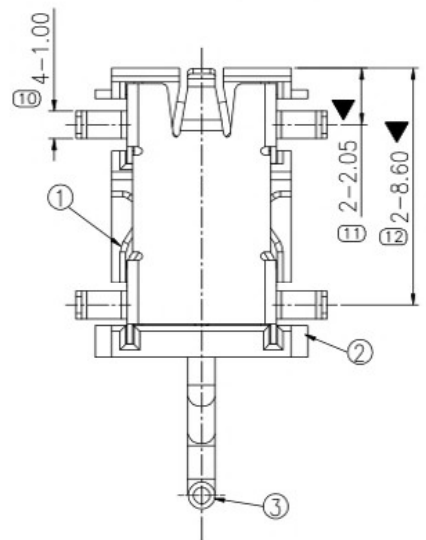


DC JACK INSERT DEPTH

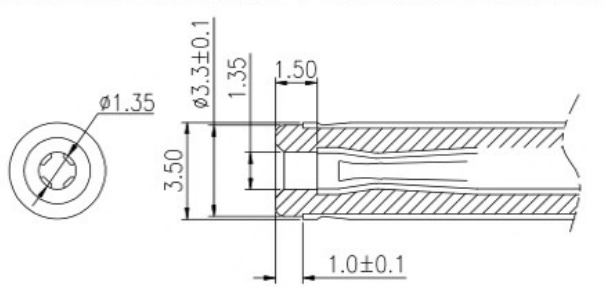
3D VIEW

SPECIFICATIONS:

- ELECTRICAL CHARACTERISTICS:
 - 1-1. RATING: 24V 3A
 - 1-2. CONTACT RESISTANCE: 30mΩ MAX.(INITIAL)
 - 1-3. DIELECTRIC WITHSTANDING VOLTAGE: 500V AC FOR ONE MINUTE
 - 1-4. INSULATION RESISTANCE: 100MΩ MIN. MEASURED BY 500V DC
- MECHANICAL CHARACTERISTICS:
 - 2-1. INSERTION FORCE : 0.3~3.0 KGF
 - 2-2. WITHDRAWAL FORCE : 0.3~3.0 KGF
- LIFE TEST: 5,000 CYCLES MIN.
- FOR REFLOW SOLDERING LEAD-FREE PROCESS.
- ▼ REPRESENT CRITICAL DIMENSIONS.
- ▽ CPK CONTROLLED DIMENSIONS.



RECOMMENDED PCB LAYOUT
TOP VIEW (TOLERANCE:±0.05)



MATE PLUG



ELECTRICAL CIRCUIT

NO.	DESCRIPTION	QTY	MATERIAL	PLATING & COLOR
③	CENTER PIN	1	BRASS Ø1.30	Au
②	TERMINAL	1	PHOSPHOR BRONZE 0.2t	Au
①	HOUSING	1	PPA	Black

UNLESS OTHERWISE SPECIFIED TOLERANCES

东莞市高迪电子有限公司

DECIMALS:		ANGLES:		DWG NO.	PART NAME:
X.	±0.50	X.	±2'	DESIGN:	DC电源插座
X.X	±0.30	X.X	±1'	CHECK:	PART NO.
X.XX	±0.20	X.XX	—	APPROVED	REV. A
X.XXX	±0.10	X.XXX	—		UNIT: mm
					SHEET: 1/1