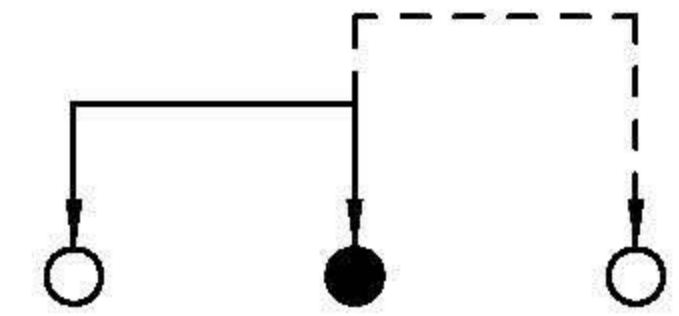
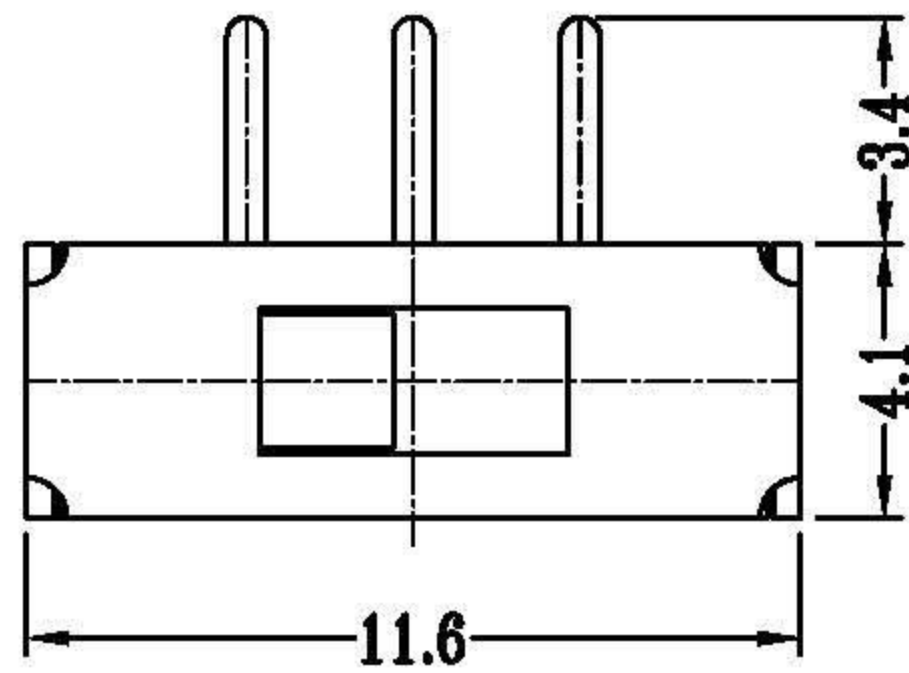
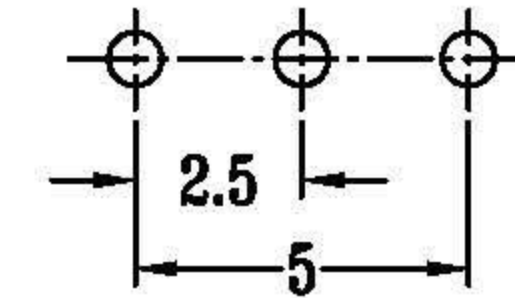
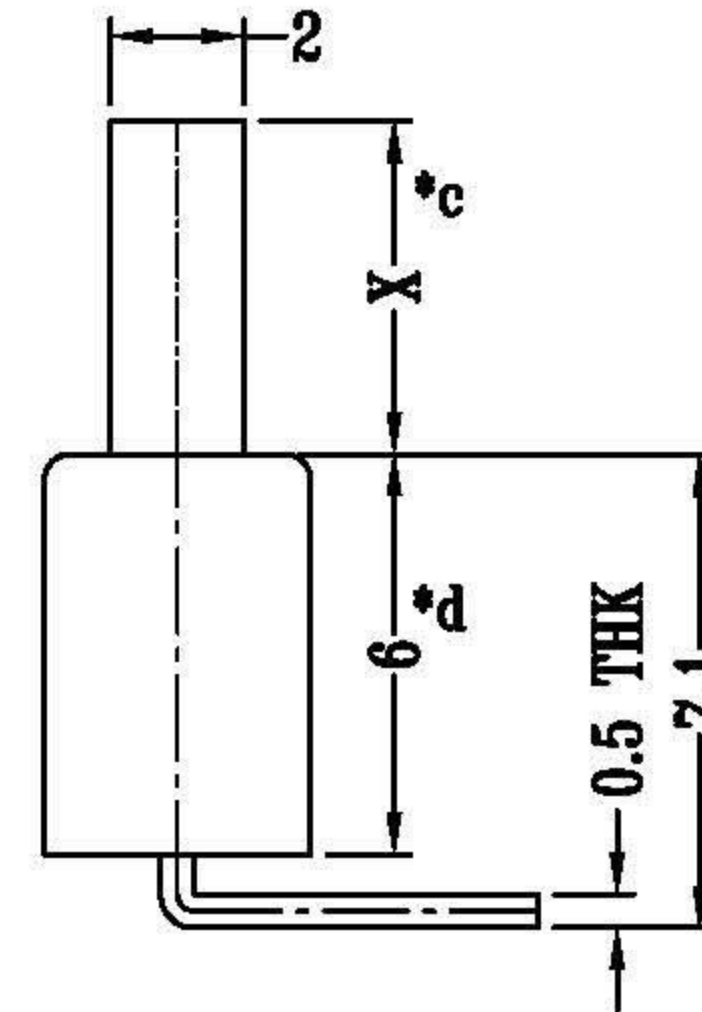
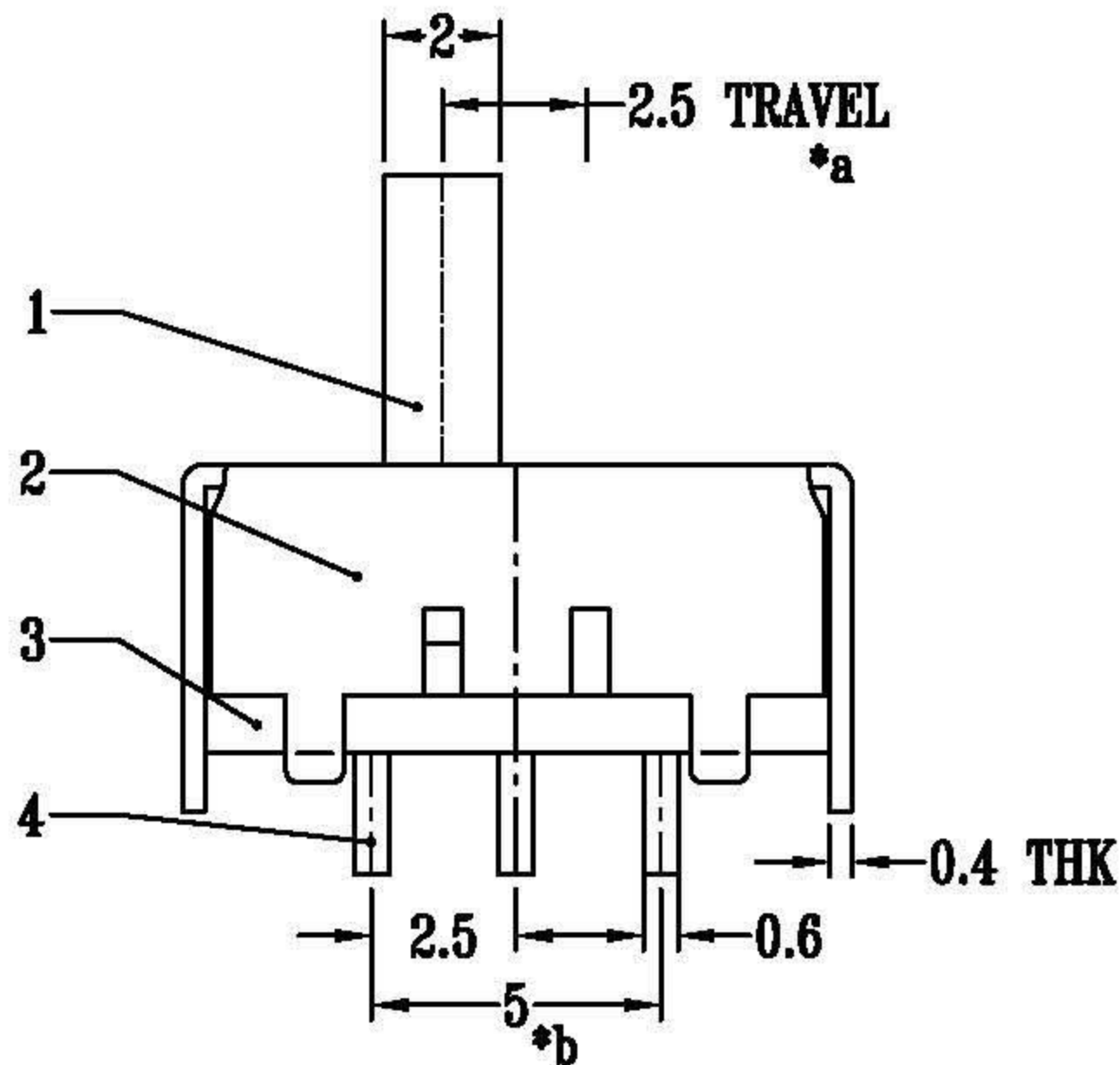


CAD FILE:



SCHEMATIC (SHORTING)



**P.C.B LAYOUT
BOTTOM VIEW**

注：“*”表示关键尺寸(3个)

8									
7									
6									
5	CONTACT CLIP	PBS STRIP	1	Ag PLATED	WITHIN 1.5mm : ±0.1mm	A	2012-8-7	初版	李小勤
4	TERMINAL	BRASS STRIP	3	Ag PLATED	OVER 1.5mm : ±0.2mm	ISSUE	DATE	DESCRIPTIONS OF REVISION	APPD.
3	BASE	PHENOLIC RESIN	1	NATURAL	TITLE : VERTICAL SLIDE SWITCH			UNIT : mm	DRWG NO.: LT-DR-SS12E21-00
2	FRAME	STEEL STRIP	1	BLACK	MODEL: SS12E21			SCALE: 4:1	DWN. 吴开庆 2012-8-7
1	KNOB	POM	1	WHITE	LT ® 东莞市利托电子有限公司 DONGGUANSHI LITUO ELECTRONIC CO.,LTD.			CHK'D	李小勤 2012-8-7
NO.	PARTS	MATERIALS	Q'TY	FINISH				APPD.	