

**SPEC:**

**A. Material:**

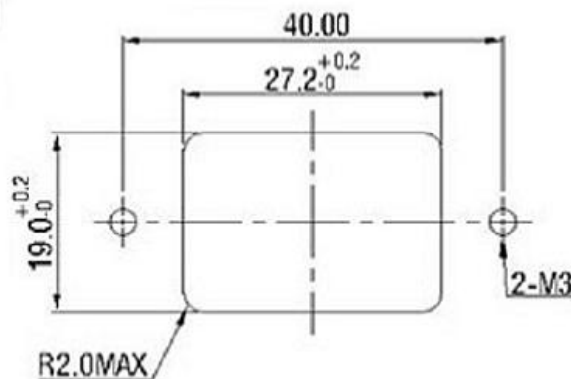
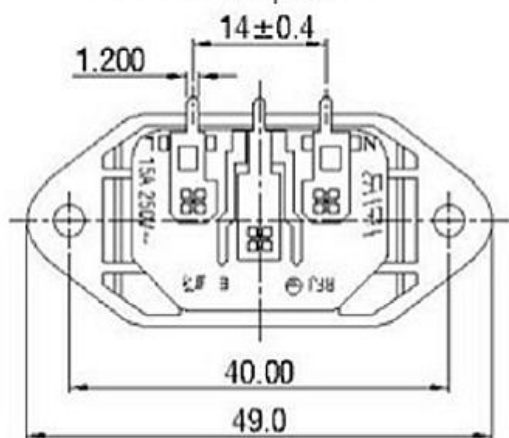
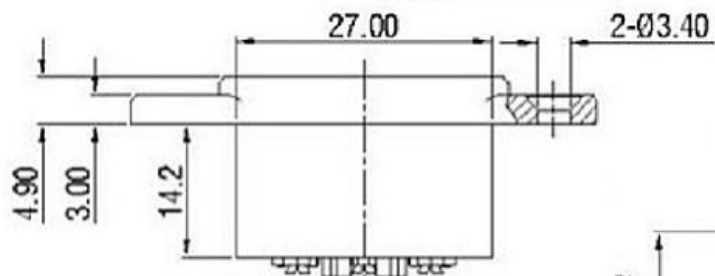
1. Housing: PBT WITH G/F30% UL 94V-0
2. Terminal: COPPER ALLOY, TIN PLATED

**B. Electrical Characteristics:**

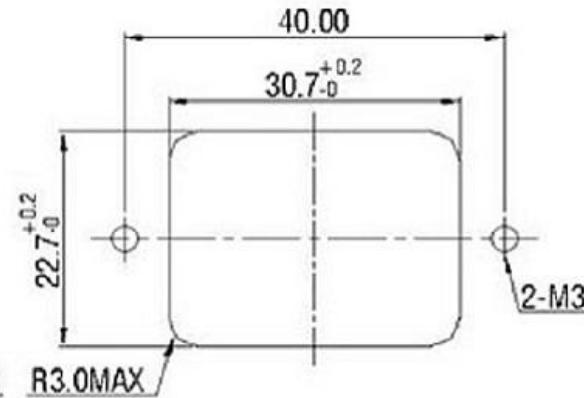
1. Rating: 15A 250V~ (UL, CUL)
- 10A 250V~ (CCC, VDE, SEMKO, NEMKO, FIMKO, DEMKO, SAA, KC)
2. Electric Strength: AC 2,000 V FOR ONE MINUTE
3. Insulation Resistance: 100MΩ MIN, AT 500V DC

**C. Approvals:**

UL, CUL, CCC, VDE, SEMKO, NEMKO, FIMKO, DEMKO, SAA, KC



FOR REAR MOUNTING USE  
PANEL CUT-OUT



FOR FRONT MOUNTING USE  
PANEL CUT-OUT

				普通公差 COMMON TOLERANCE:	 <b>东莞市高迪电子有限公司</b>					
				UP TO 5      ±0.20					单位	mm
				ABOVE 5 TO 30      ±0.30	绘图	林晓良	核对		型号	
				ABOVE 30      ±0.50	日期	19.08.12	核准		料号	KD-AC电源插座
REV.	DATE	REVISION DESCRIPTION	ISSUE	ANGULAR      ±5°			核 准 BY		PART NO.	