

SECTION A-A

SPEC:

A. Material:

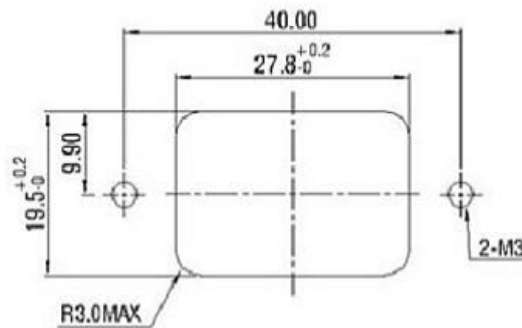
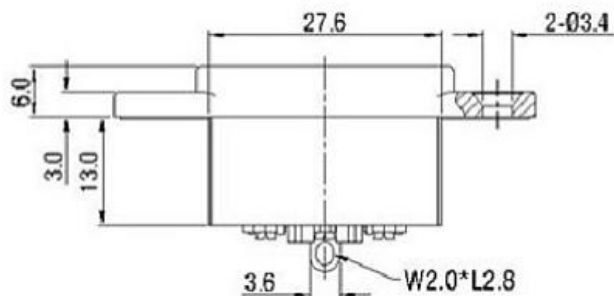
1. Housing: PBT WITH G/F30% UL 94V-0
2. Terminal: COPPER ALLOY, TIN PLATED

B. Electrical Characteristics:

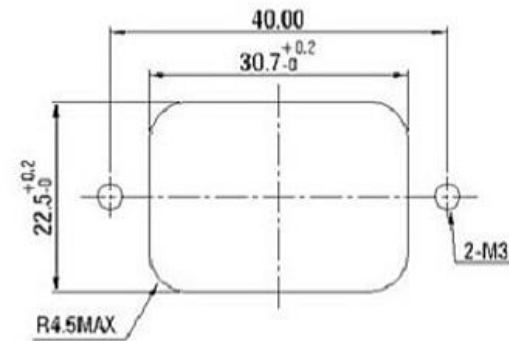
1. Rating: 15A 250V~ (UL, CUL)
10A 250V~ (CCC, VDE, SEMKO)
2. Electric Strength: AC 2,000 V FOR ONE MINUTE
3. Insulation Resistance: 100MΩ MIN. AT 500V DC

C. Approvals:

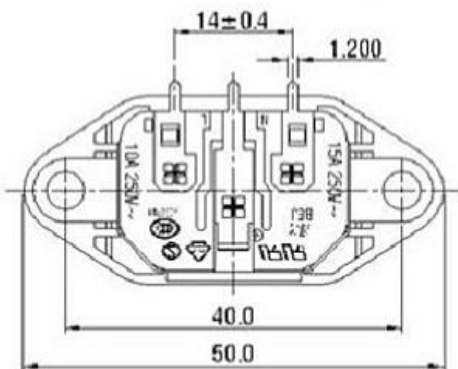
UL, CUL, CCC, VDE, SEMKO



FOR REAR MOUNTING USE
PANEL CUT-OUT



FOR FRONT MOUNTING USE
PANEL CUT-OUT



				普通公差 COMMON TOLERANCE:	 东莞市高迪电子有限公司				
				UP TO 5 ±0.20					
				ABOVE 5 TO 30 ±0.30	绘图	林晓良	核对	型号	
				ABOVE 30 ±0.50	日期	19.08.12	核准	料号	KD-AC电源插座
REV.	DATE	REVISION DESCRIPTION	ISSUE	ANGULAR ±5°			核淮	料号	