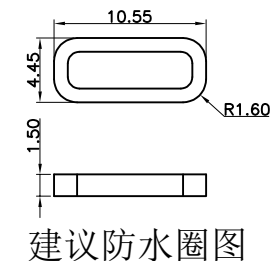
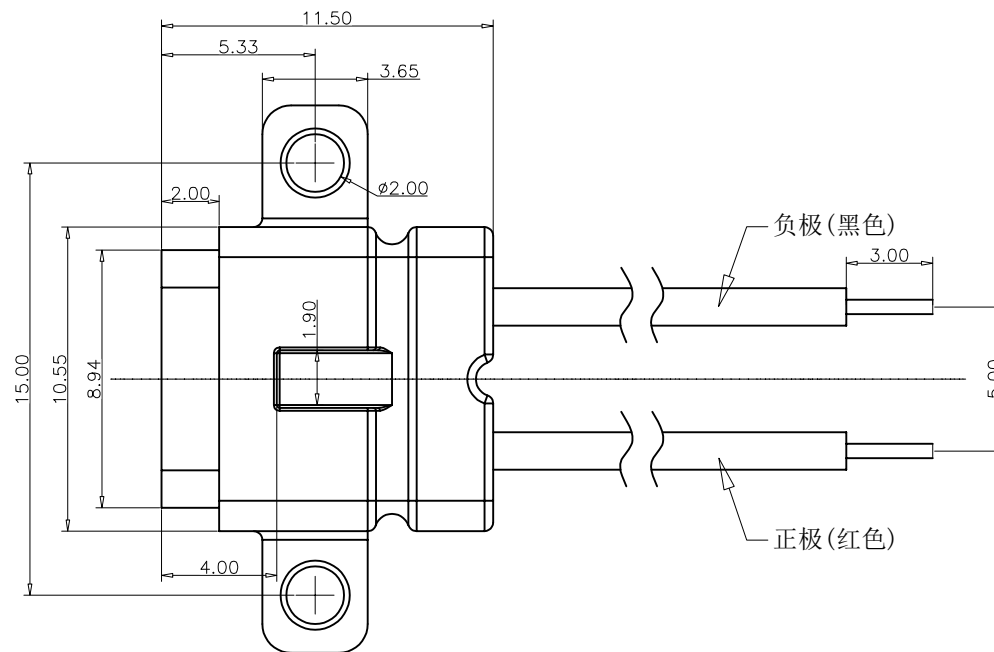
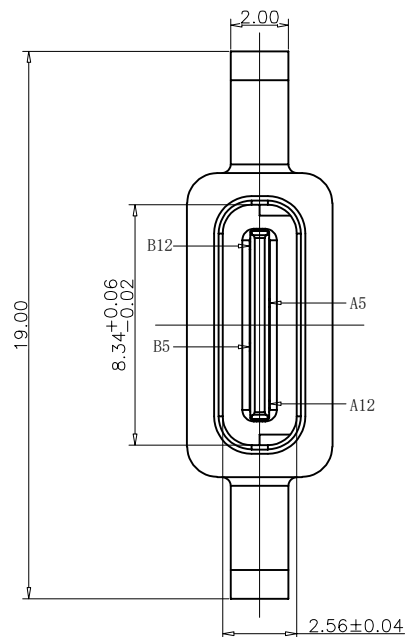




RoHS Compliant



REV.	ZONE	DESCRIPTION	DESIGN	DATE
A		NEW		



NOTES:

1.MATERIAL:

MOLDING: LCP UL94 V-0  
 CONTACT: COPPER ALLOY.  
 GOLD PLATED Min ON CONTACT AREA, 100u"  
 Min TIN (LEAD FREE) ON SOLDER AREA,  
 SHELL: SUS304-H, T=0.30±0.03mm  
 50u" NICKEL PLATING OVER ALL.

2.MECHANICAL:

INSERTION: 5~20N.  
 EXTRACTION: 8~20N AFTER TEST.  
 DURABILITY: 10000 CYCLES

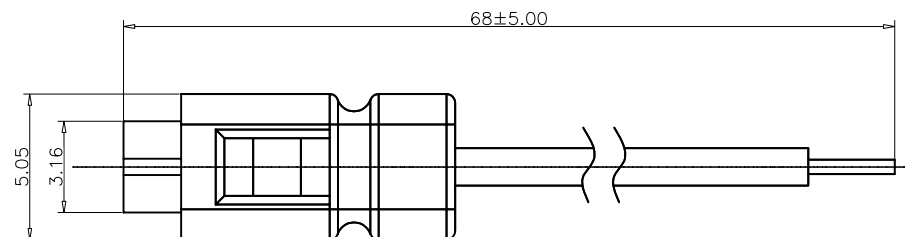
3.ELECTRICAL:

CURRENT: 3A FOR VBUS;  
 1.25A FOR GND PIN.  
 0.25A FOR OTHER.

VOLTAGE: 20 V MAX  
 WITHSTANDING VOLTAGE: 100V AC R.M.S.  
 CONTACT RESISTANCE: 40mΩ MAX.  
 INSULATION RESISTANCE: 100MΩ MIN.

4.ENVIRONMENTAL

TEMPERATURE RANGE -25°C ~ +85°C



X. ±0.50	X.* ± 2*	UNITS mm
.X ±0.30	.X* ± 1*	
.XX ±0.10	.XX* ± 0.5*	MAT'L /
.XXX ± 0.05		
THESE DRAWINGS AND SPECIFICATIONS ARE THE PROPERTY OF SHENZHEN CHUANGYUE TECHNOLOGY CO.,LTD. AND SHALL NOT BE REPRODUCED, COPIED OR USED IN ANY MANNER WITHOUT THE PRIOR WRITTEN CONSENT OF SHENZHEN CHUANGYUE TECHNOLOGY CO., LTD	FINISH /	APPD: CHKD: DR:
	Q'TY /	

东莞市高迪电子有限公司

TITLE:  
TYPE C 2P防水母座注塑带螺孔(垂直90度居中)焊线式  
带线L=68mm(不带电阻)

DWG NO.:  
GD-TYPEC-FS-2PM

SCALE	SHEET	REV.