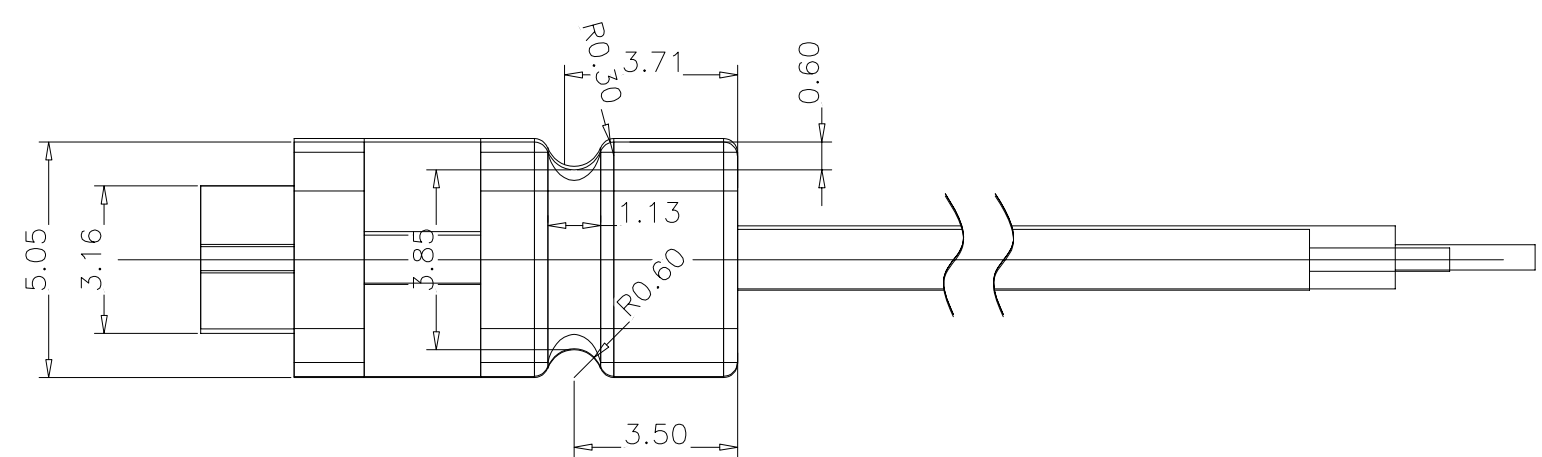
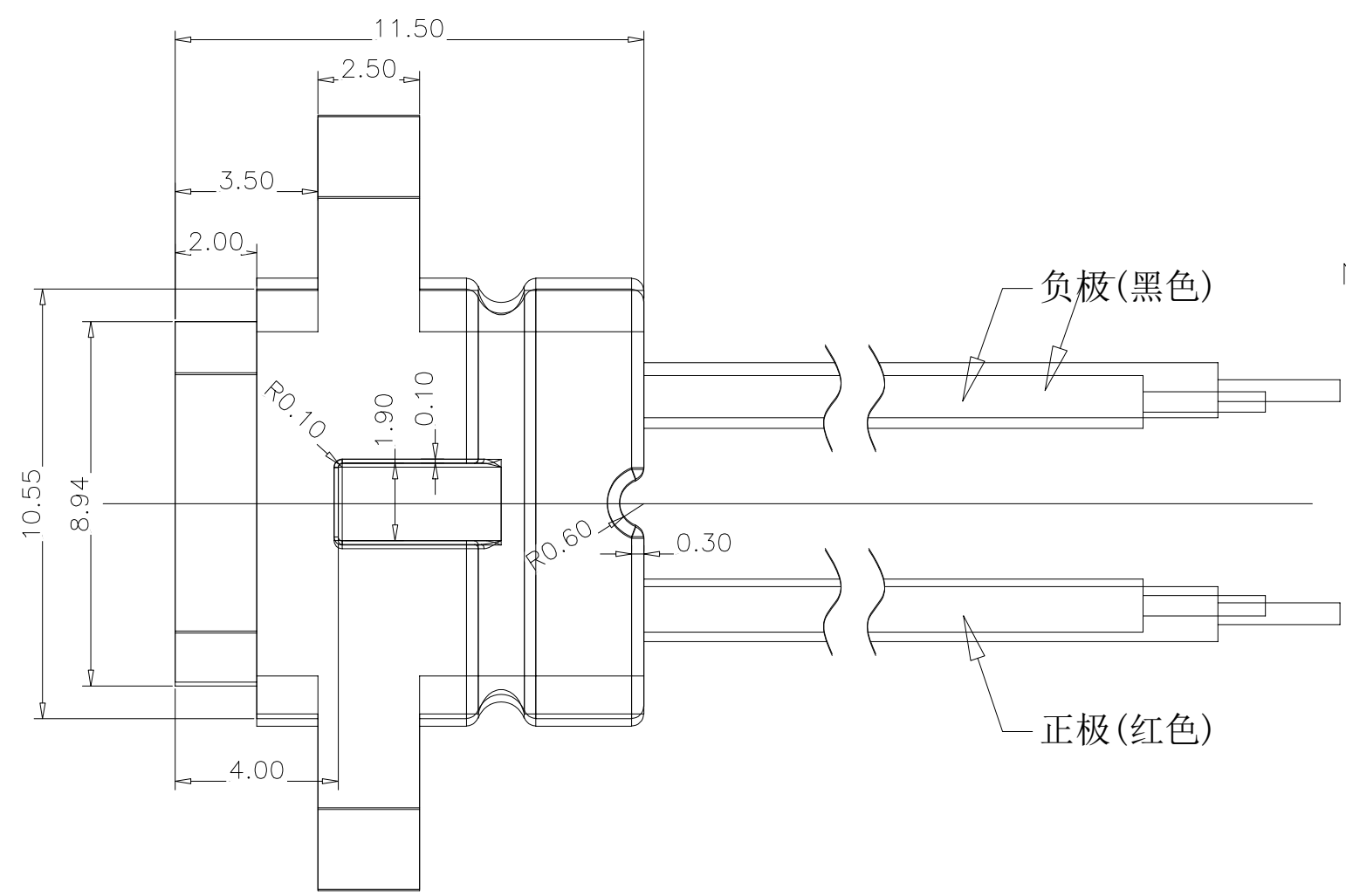
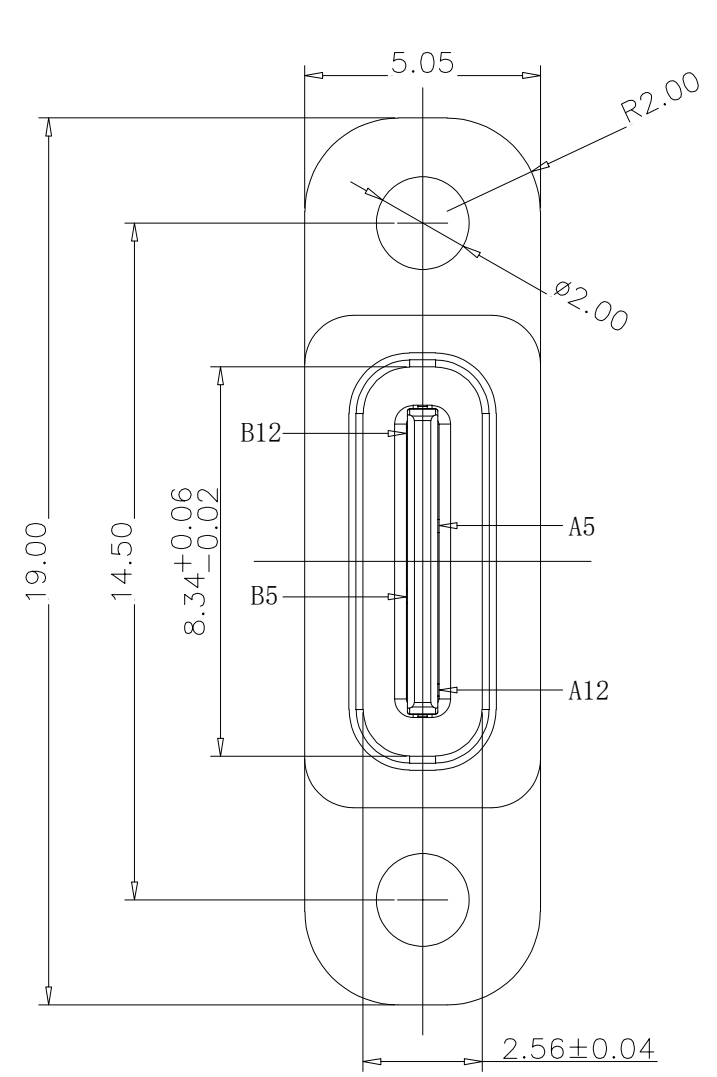




RoHS Compliant



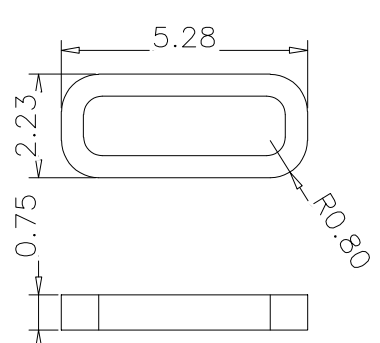
REV.	ZONE	DESCRIPTION	DESIGN	DATE
A		NEW		



负极(黑色)

正极(红色)

- NOTES:
- MATERIAL:
 - MOLDING: LCP UL94 V-0
 - CONTACT: COPPER ALLOY.
 - GOLD PLATED Min ON CONTACT AREA, 100u"
 - Min TIN (LEAD FREE) ON SOLDER AREA,
 - SHELL: SUS304-H, T=0.30±0.03mm
 - 50u" NICKEL PLATING OVER ALL.
 - MECHANICAL:
 - INSERTION: 5~20N.
 - EXTRACTION: 8~20N AFTER TEST.
 - DURABILITY: 10000 CYCLES
 - ELECTRICAL:
 - CURRENT: 3A FOR VBUS;
 - 1.25A FOR GND PIN.
 - 0.25A FOR OTHER.
 - VOLTAGE: 20 V MAX
 - WITHSTANDING VOLTAGE: 100V AC R.M.S.
 - CONTACT RESISTANCE: 40mΩ MAX.
 - INSULATION RESISTANCE: 100MΩ MIN.
 - ENVIRONMENTAL
 - TEMPERATURE RANGE -25°C ~ +85°C



防水圈图

X.	±0.50	X.°	± 2°	UNITS	mm
.X	±0.30	.X°	± 1°		
.XX	±0.10	.XX°	± 0.5°	MAT'L	/
.XXX	± 0.05				
THESE DRAWINGS AND SPECIFICATIONS ARE THE PROPERTY OF SHENZHEN CHUANGYUE TECHNOLOGY CO.,LTD. AND SHALL NOT BE REPRODUCED, COPIED OR USED IN ANY MANNER WITHOUT THE PRIOR WRITTEN CONSENT OF SHENZHEN CHUANGYUE TECHNOLOGY CO., LTD					
FINISH				/	/
Q'TY					

东莞市高迪电子有限公司

TITLE: TYPE C 2P防水母座注塑带螺丝孔焊线式带线L=X(不带电阻)

APPD:	
CHKD:	
DR:	

DWG NO.: GD-TYPEC-FS-2PE

SCALE	SHEET	REV.
1:1	1/1	A