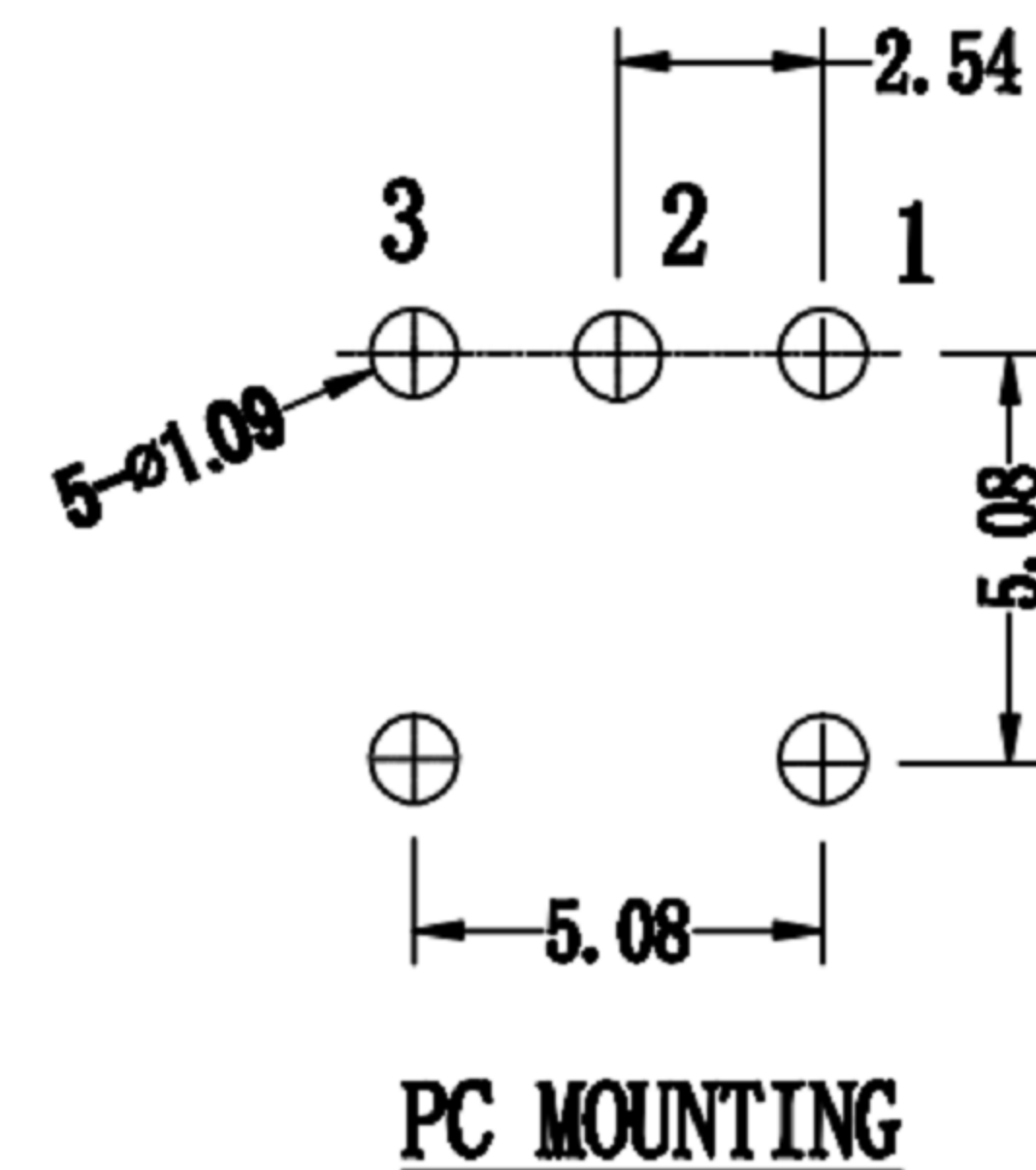
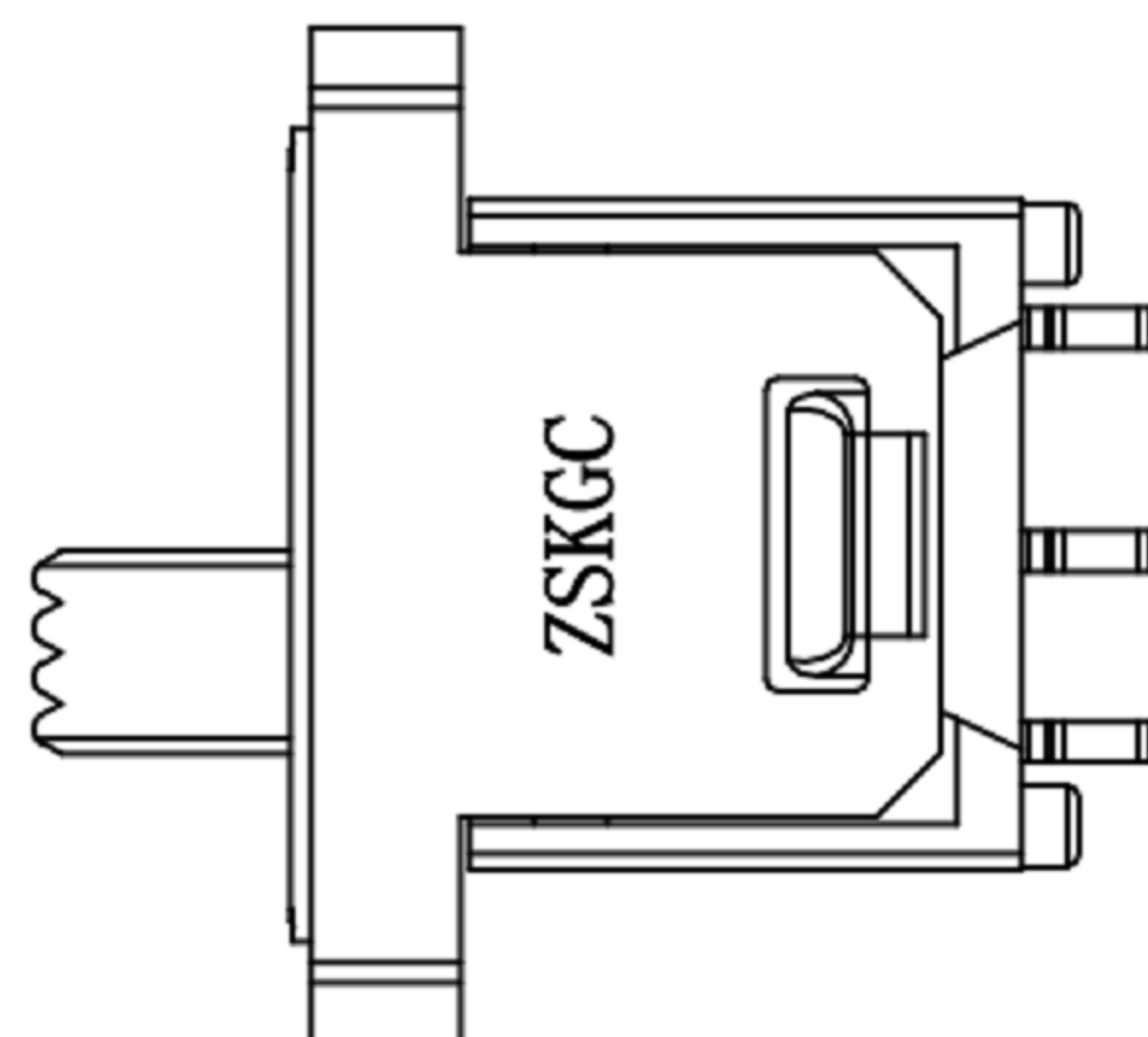
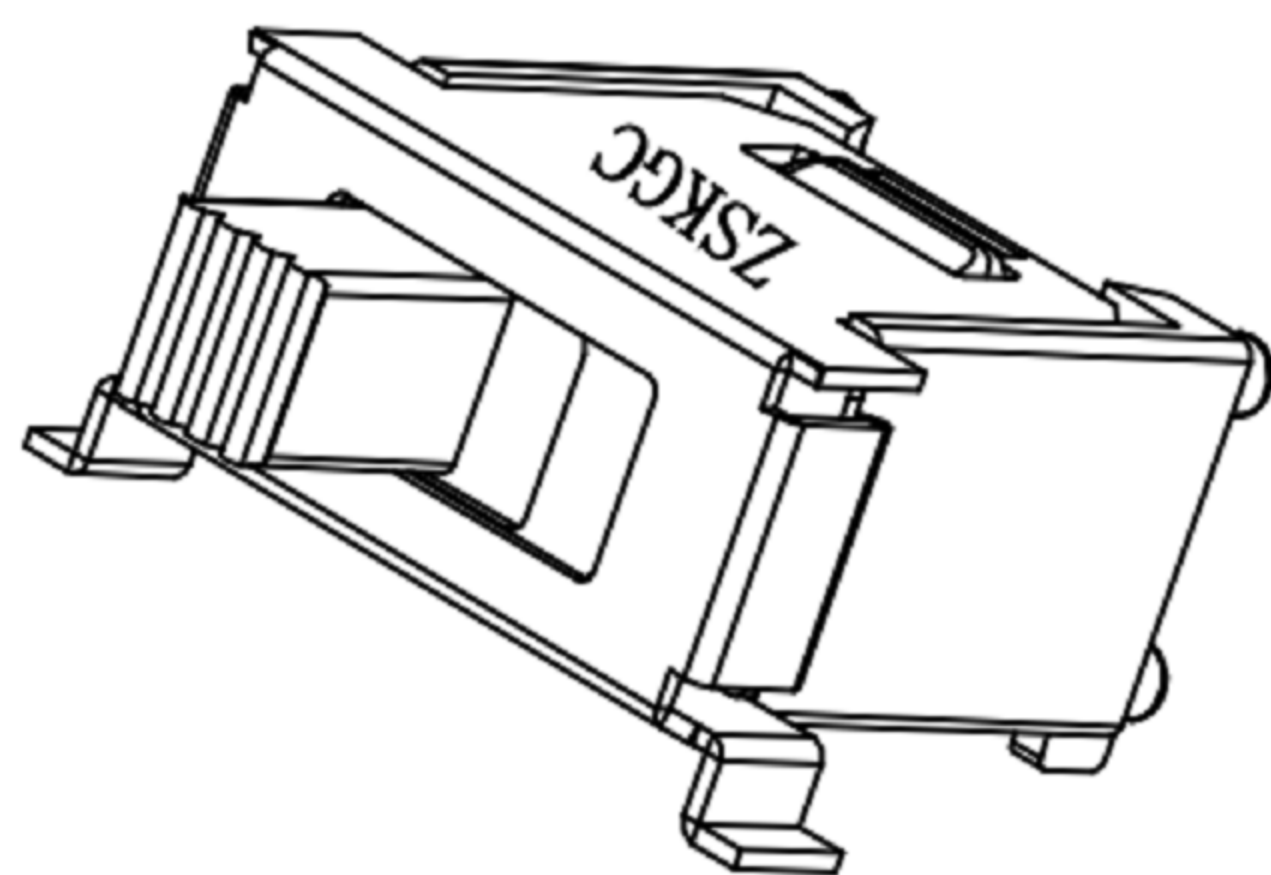


Model NO.	SWITCH FUNCTION		
	POS. 1	POS. 2	POS. 3
SS1-102	ON	NONE	ON
CONN. TERMINALS	2-3	N/A	2-1
SCHMATIC			
SPDT			



Specifications

- CONTACT RATING:** 0.4 VA max. @ 20 V AC or DC max.
- MECHANICAL & ELECTRICAL LIFE:** 30,000 make-and-break cycles at full load.
- CONTACT RESISTANCE:** 20 m Ω max. initial @ 2-4 V DC, 100 mA.
- INSULATION RESISTANCE:** 1000 MΩ min.
- DIELECTRIC STRENGTH:** 500 Vrms min.
- OPERATING TEMPERATURE:** -30°C to 85°C.

Materials

- BASE:** PPA (UL 94V-0).
- HOUSING:** Stainless steel with tin plate.
- CONTACT/TERMINALS:** Copper alloy silver plated.
- TERMINAL SEAL:** Epoxy.

東莞市高迪電子有限公司
DONG GUAN GAO DI ELECTRONICS CO., LTD

TOLERANCE UNLESS OTHERWISE STATED: Up to 5 ±0.2, Above 5 ~ 15 ±0.3, Above 15 ~ 30 ±0.4, Above 30 ~ 50 ±0.5, Angle ±0.3°

3RD. ANGEL'S

UNITS MM

DRAWN BY: DATE
Ming Ming Zou 07/23/13

CHECKED BY: DATE
Ning Ning Su 07/23/13

APPROVED BY: DATE
Jia Xiang 07/23/13

MAT'L	TITLE	SWITCH SE
FINISH	MODLE	SWITCH SE
SCALE 1:1	DWG NO.	GD-SS-1-0-102-A05-S
SHEET NO. 1 of 1	PART NO.	

ITEM NO.	DESCRIPTION	DRAWN	DATE
2	公差及料號更新	Jack	072313
1	圖面更新	Frank Wu	021012