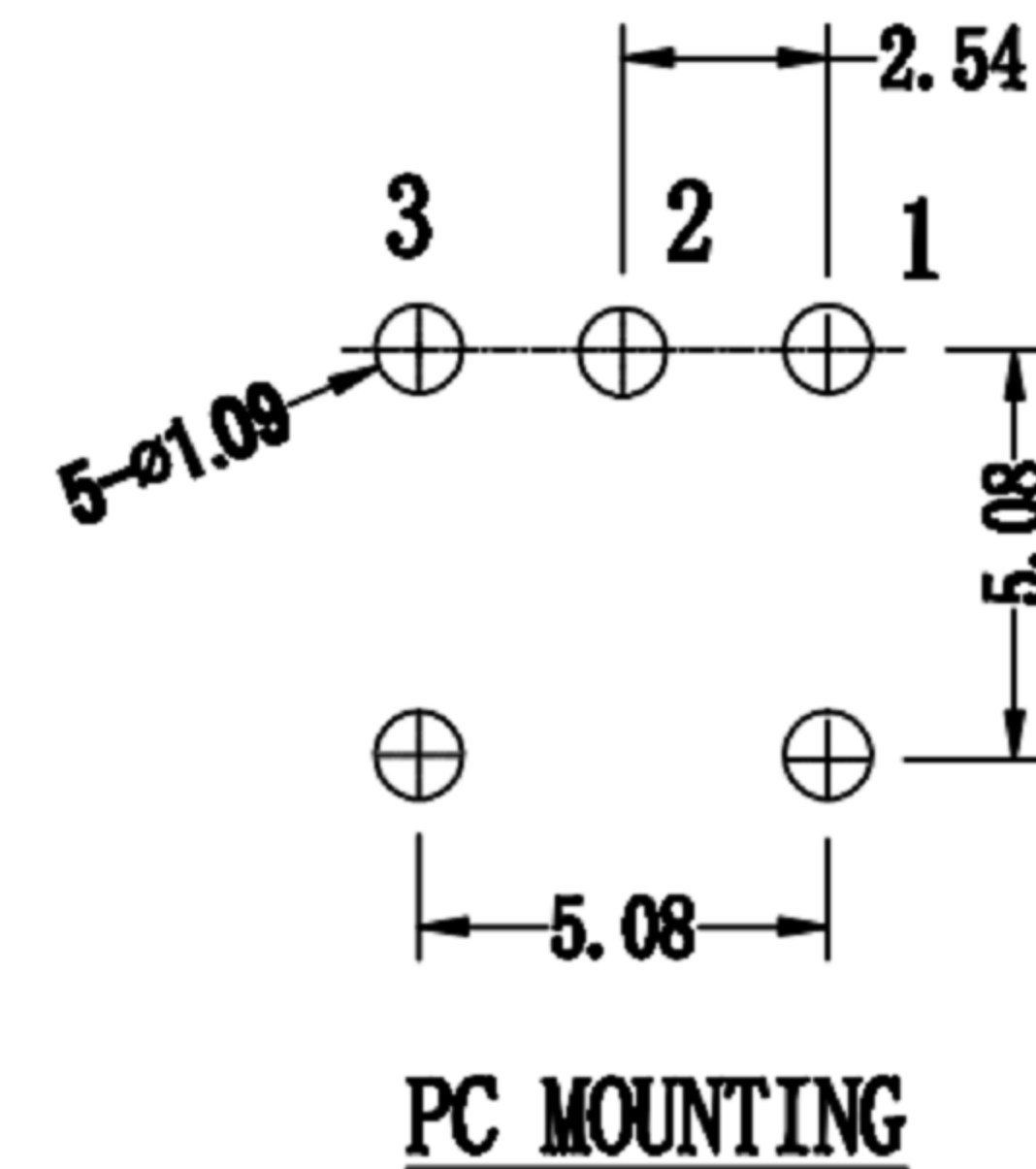
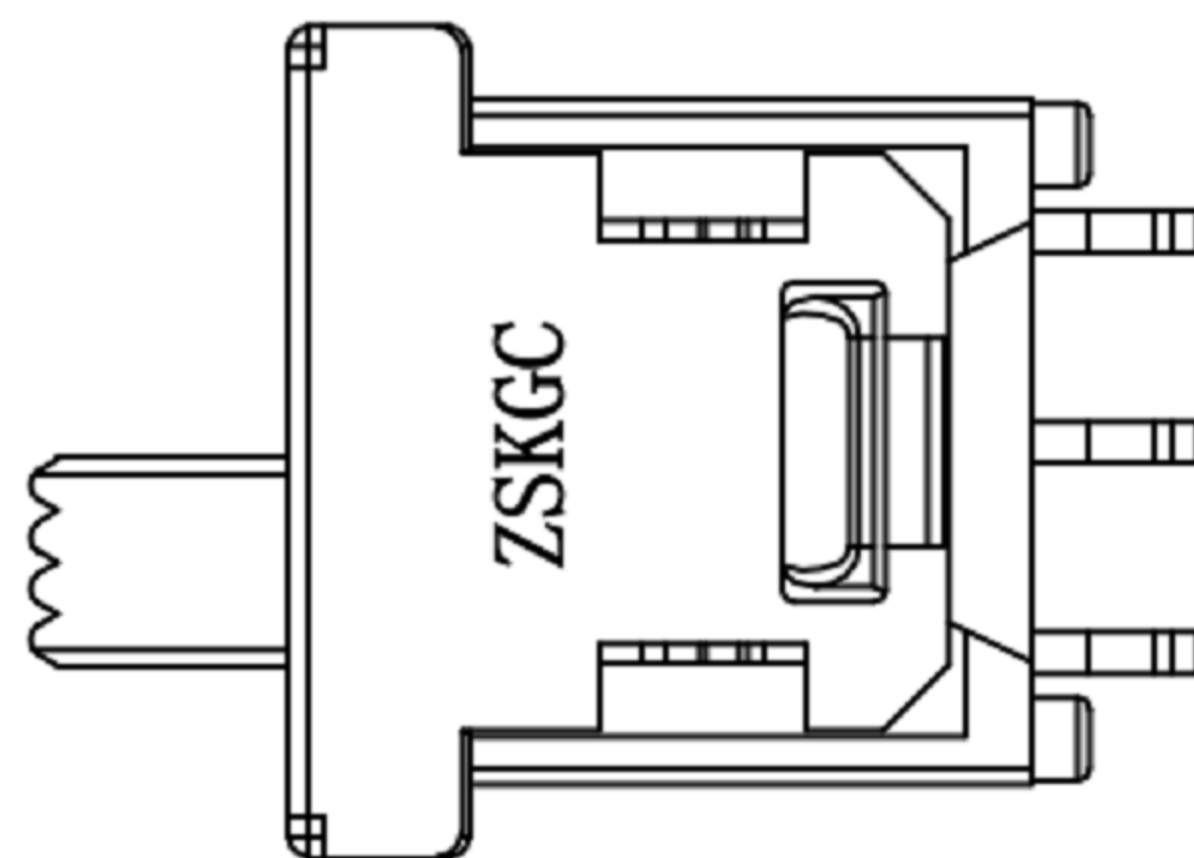
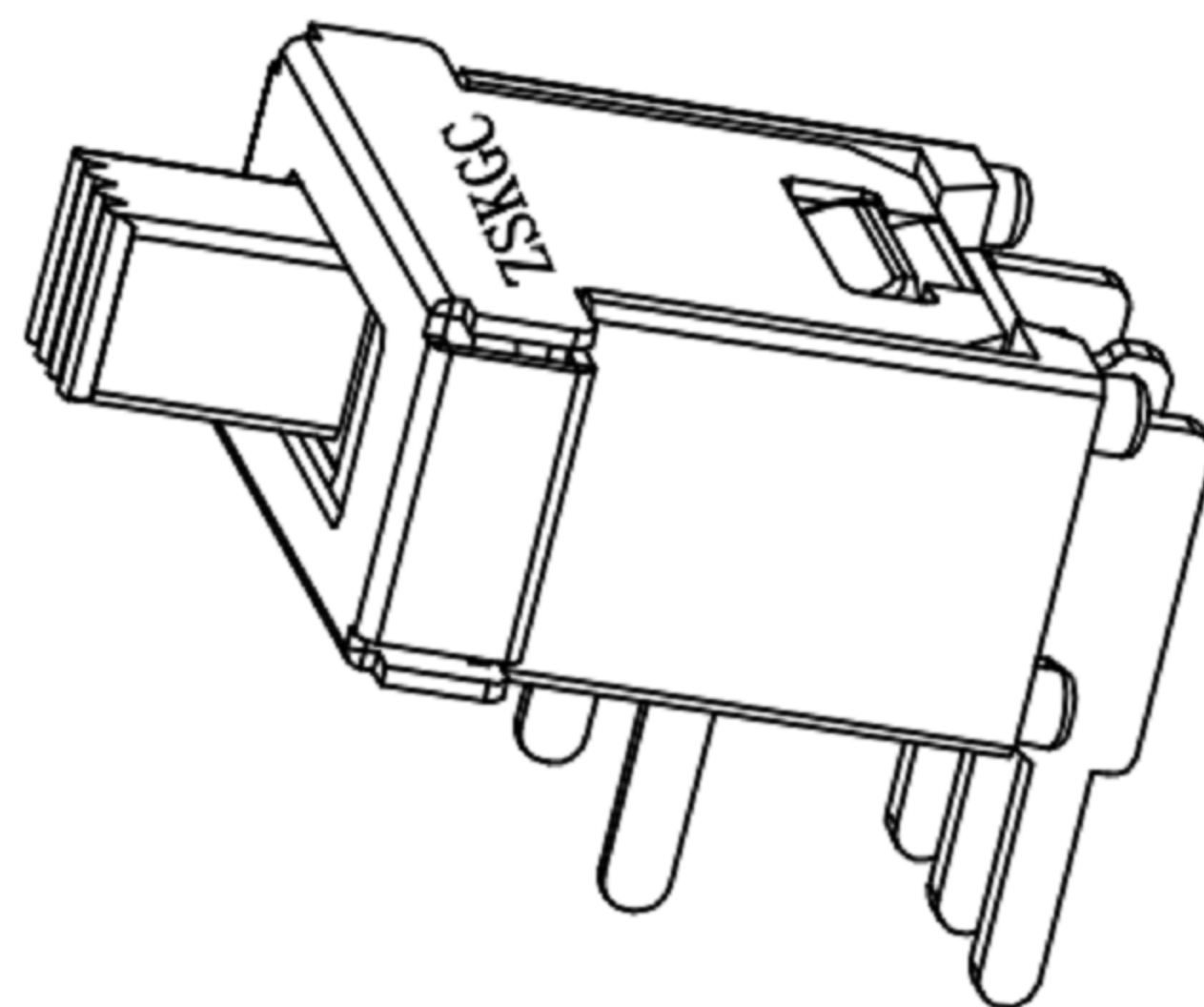


Model NO.	SWITCH FUNCTION		
	POS. 1	POS. 2	POS. 3
SS1-102	ON	NONE	ON
CONN. TERMINALS	2-3	N/A	2-1
SCHMATIC SPDT			



Specifications

CONTACT RATING: 0.4 VA max. @ 20 V AC or DC max.
MECHANICAL & ELECTRICAL LIFE: 30,000 make-and-break cycles at full load.
CONTACT RESISTANCE: 20 m Ω max. initial @ 2-4 V DC, 100 mA.
INSULATION RESISTANCE: 1000 MΩ min.
DIELECTRIC STRENGTH: 500 Vrms min.
OPERATING TEMPERATURE: -30°C to 85°C.

Materials

BASE: PPA (UL 94V-0).
HOUSING: Stainless steel with tin plate.
CONTACT/TERMINALS: Copper alloy silver plated.
TERMINAL SEAL: Epoxy.

東莞市高迪電子有限公司
 DONG GUAN GAO DI ELECTRONICS CO., LTD

TOLERANCE UNLESS OTHERWISE STATED:
 Up to 5 ±0.2
 Above 5 ~ 15 ±0.3
 Above 15 ~ 30 ±0.4
 Above 30 ~ 50 ±0.5
 Angle ±0.3°

3RD. ANGEL'S

UNITS MM

DRAWN BY: DATE
 Ming Ming Zou 07/23/13

CHECKED BY: DATE
 Ning Ning Su 07/23/13

APPROVED BY: DATE
 Jia Xiang 07/23/13

MAT'L	TITLE	SWITCH SE
FINISH	MODLE	SWITCH SE
SCALE 1:1	DWG NO.	GD-SS-1-0-102-A03-N
SHEET NO. 1 of 1	PART NO.	

SIZE A4
 VER R2

ITEM NO.	DESCRIPTION	DRAWN	DATE
2	公差及料號更新	Jack	072313
1	圖面更新	Frank Wu	021012