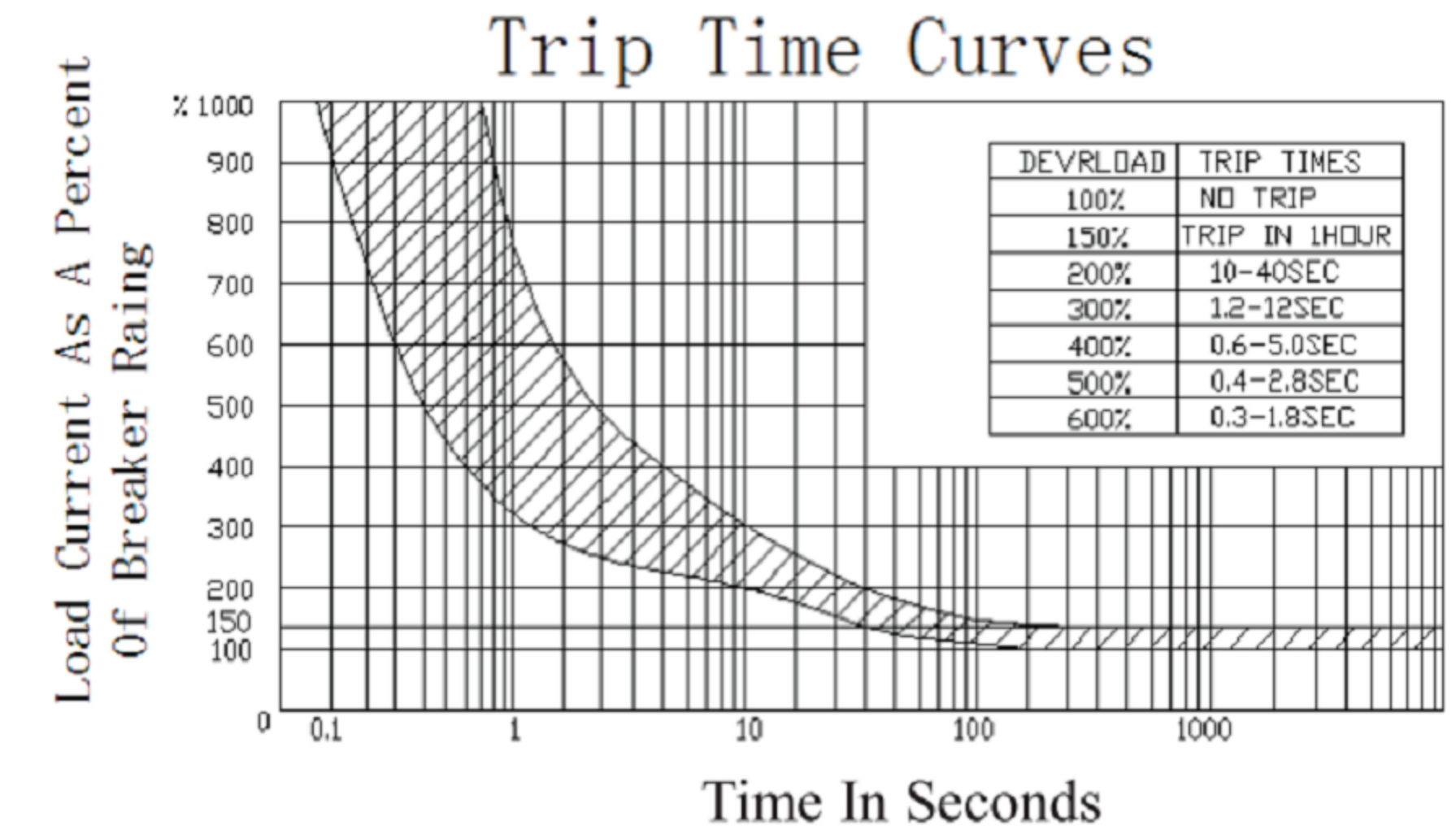
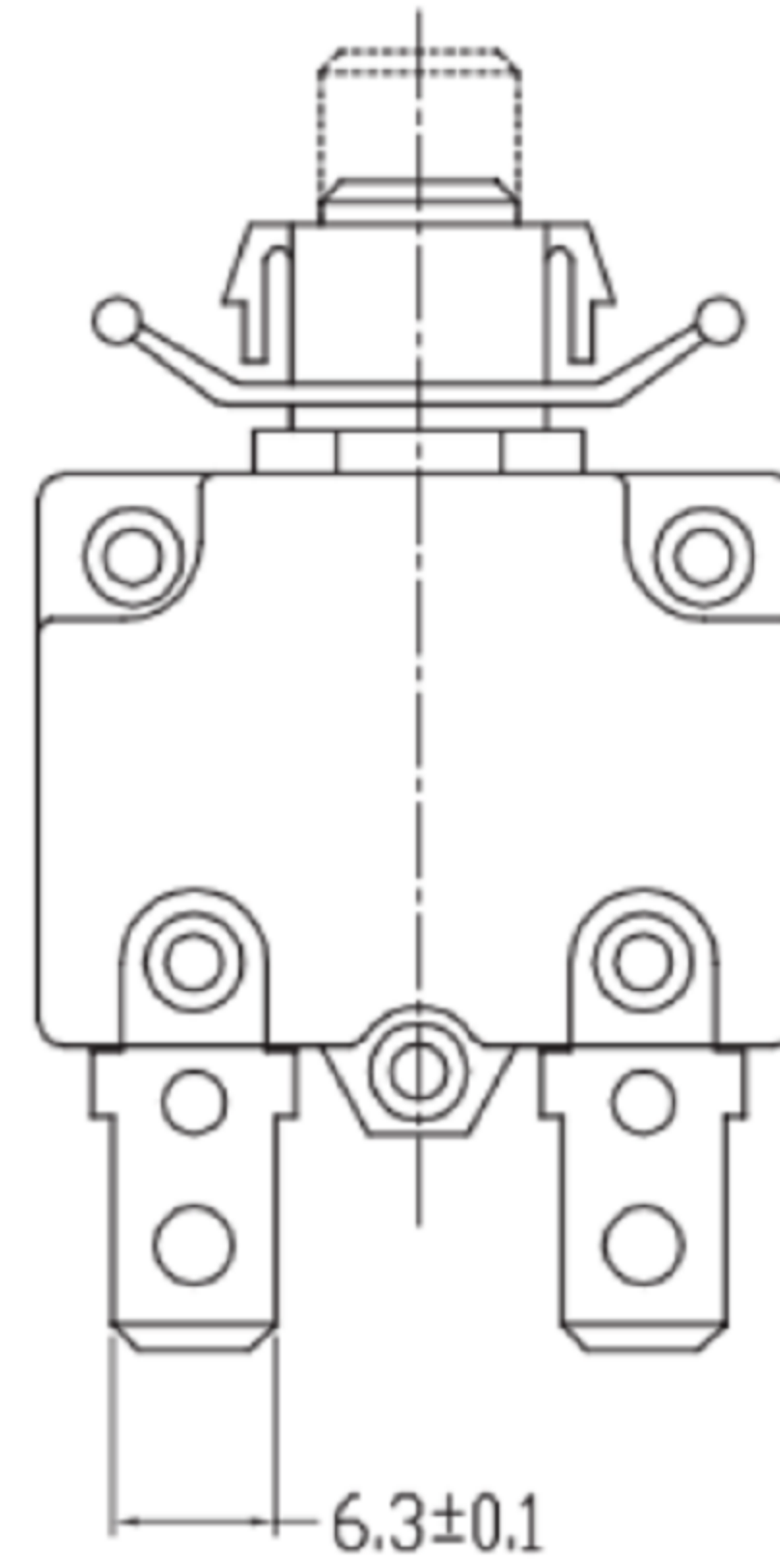
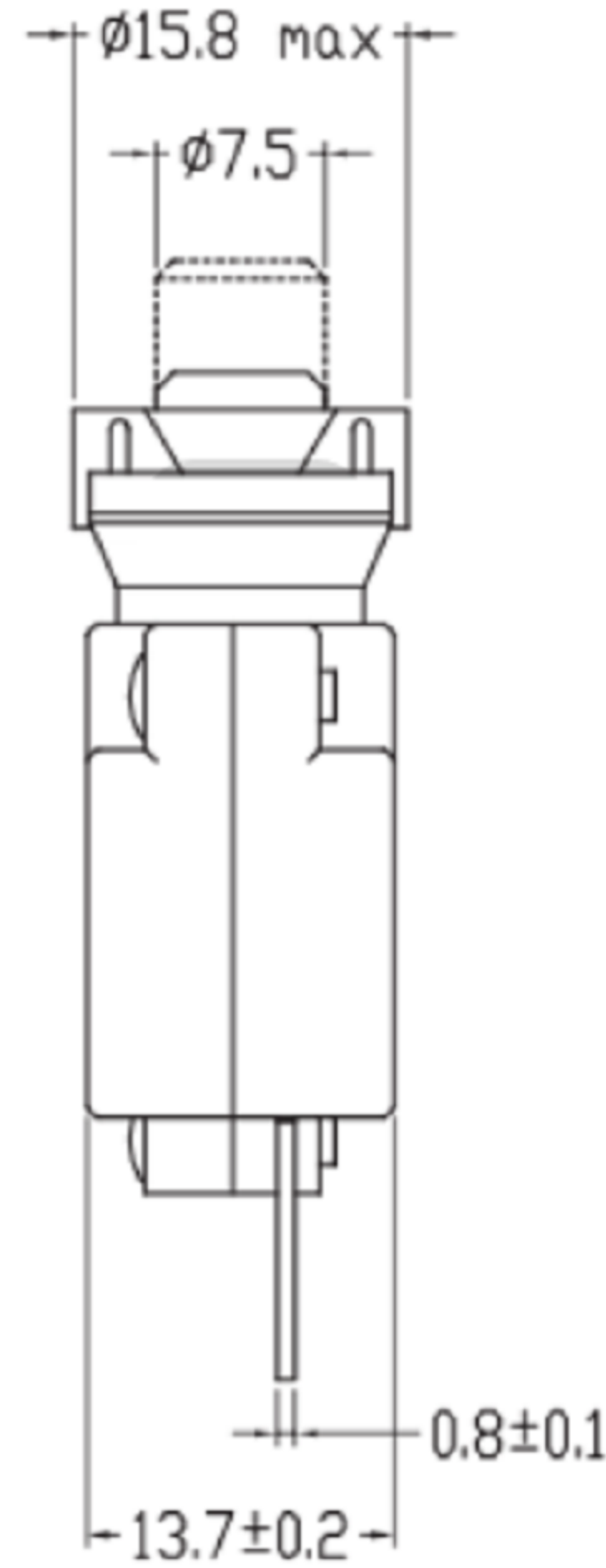
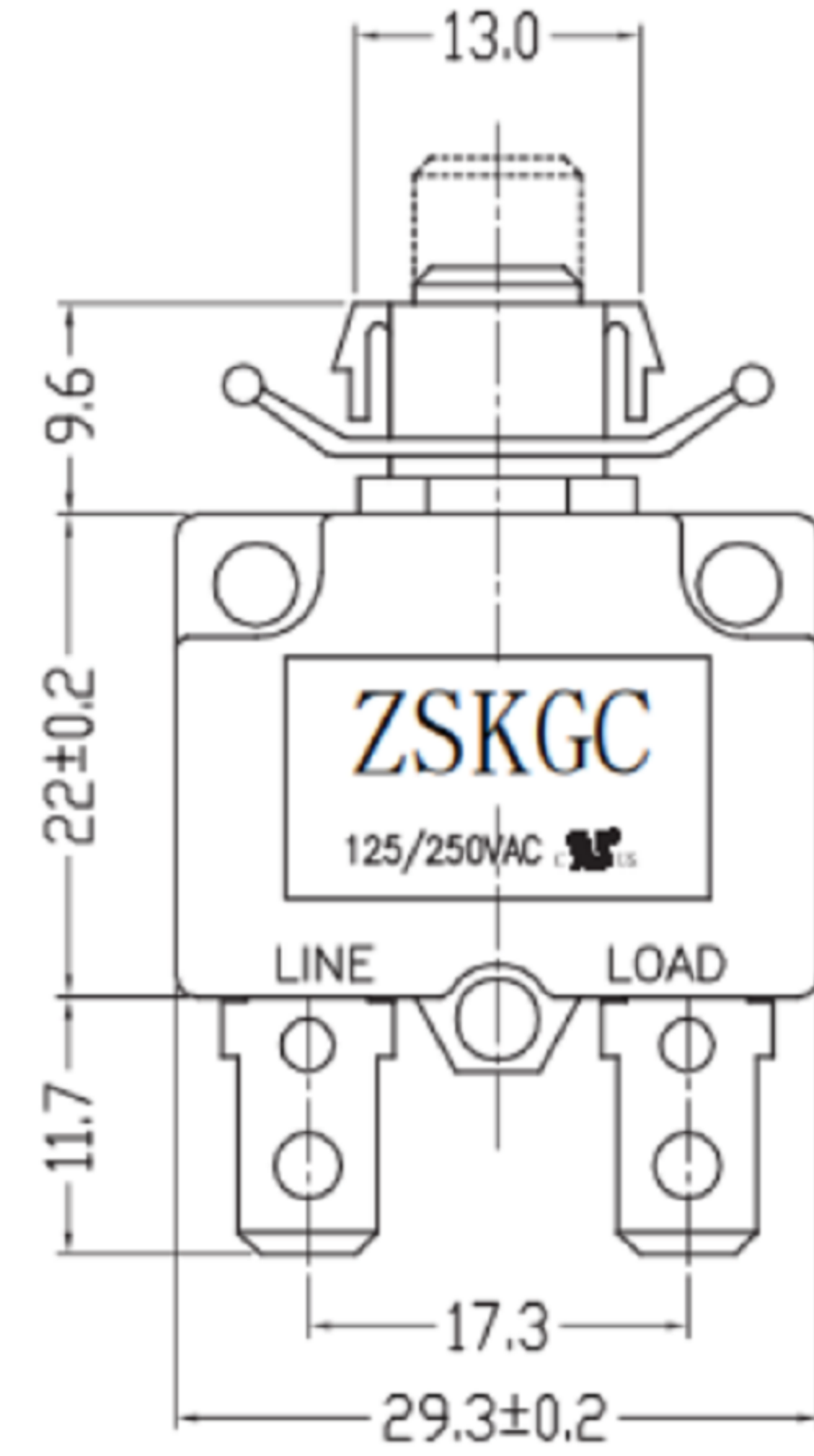
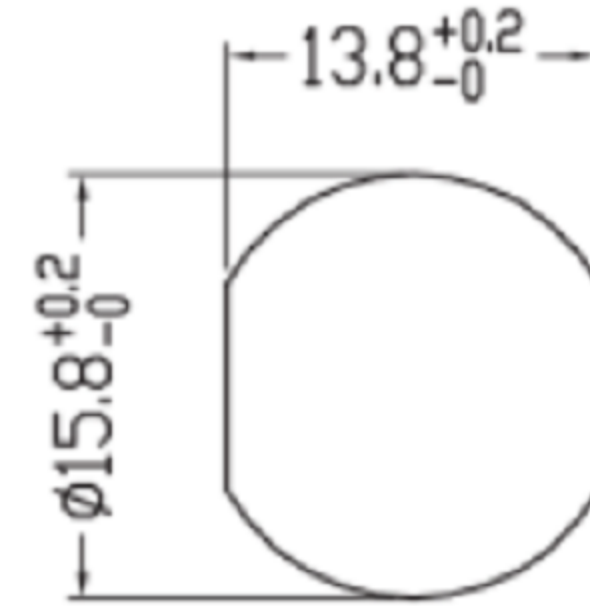
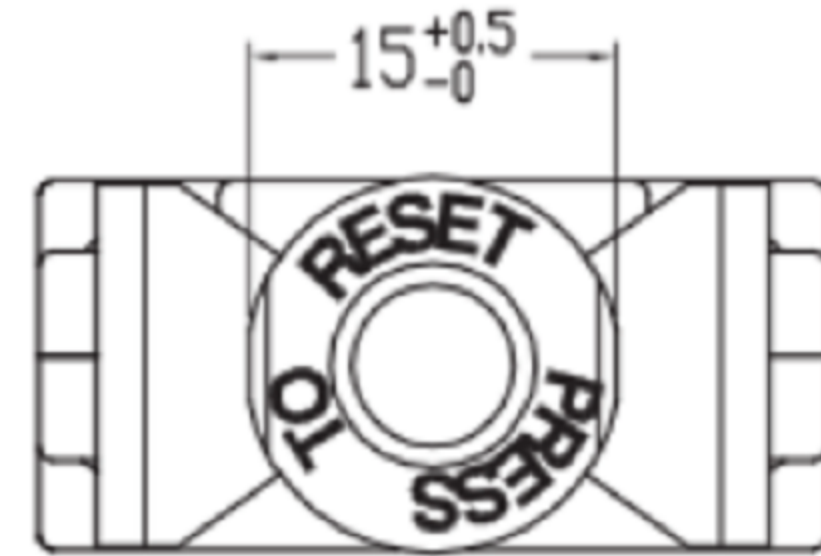
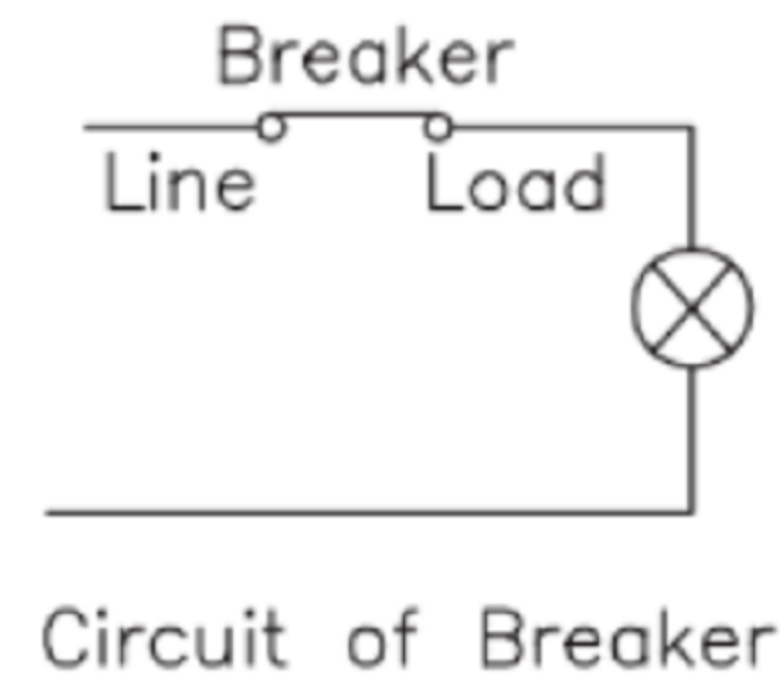


RTB-**
额定电流 (03~20A)



Percent of Rated Current Trip Curves Are Specified of 25

Model Number	Current Rating	Overload Percentage	Trip Time(in seconds) VS Amperes at+25
RTB series	3-20A	100%	NO. Trip
		150%	Trip in 1 hours
		200%	10-40
		300%	1.2-12
		400%	0.6-5.0
		500%	0.4-2.8
		600%	0.3-1.8



板厚 0.8~2.5mm

SPECIFICATION 规格:

1. Rating:3A-20A
2. Certifications:UL,CUL
3. Resetable overload capacity:10 times rated current
4. Reset Time:1 minute min.
5. Dielectric Strength:1500VAC ohms 0.5mA 1 minutes
6. Insulation Resistance:100M ohms
7. Voltage Drop:Less than 0.25V Temperature Rise atTerminal Block
8. Less than 117 o F (65°C) at 100% of rated current
- 9.Applied continuously at 70° F (25°C)

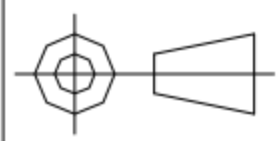


東莞市高迪電子有限公司
DONG GUAN GAO DI ELECTRONICS CO., LTD

TOLERANCE UNLESS
OTHERWISE STATED :

Up to 5 ±0.2
Above 5 ~ 15 ±0.3
Above 15 ~ 30 ±0.4
Above 30 ~ 50 ±0.5
Angle ±0.3°

3RD.
ANGEL'S



UNITS MM

DRAWN BY: DATE
Ming Ming Zou 07/10/13
CHECKED BY: DATE
Ning Ning Su 07/10/13
APPROVED BY: DATE
Jia Xiang 07/10/13

MAT'L	TITLE	SWITCH
FINISH	MODLE	SWITCH
SCALE 2:1	DWG NO.	GD-RTB-15B5B0ANFC-BF
SHEET NO. 1 of 1	PART NO.	

SIZE
A4
VER
R1