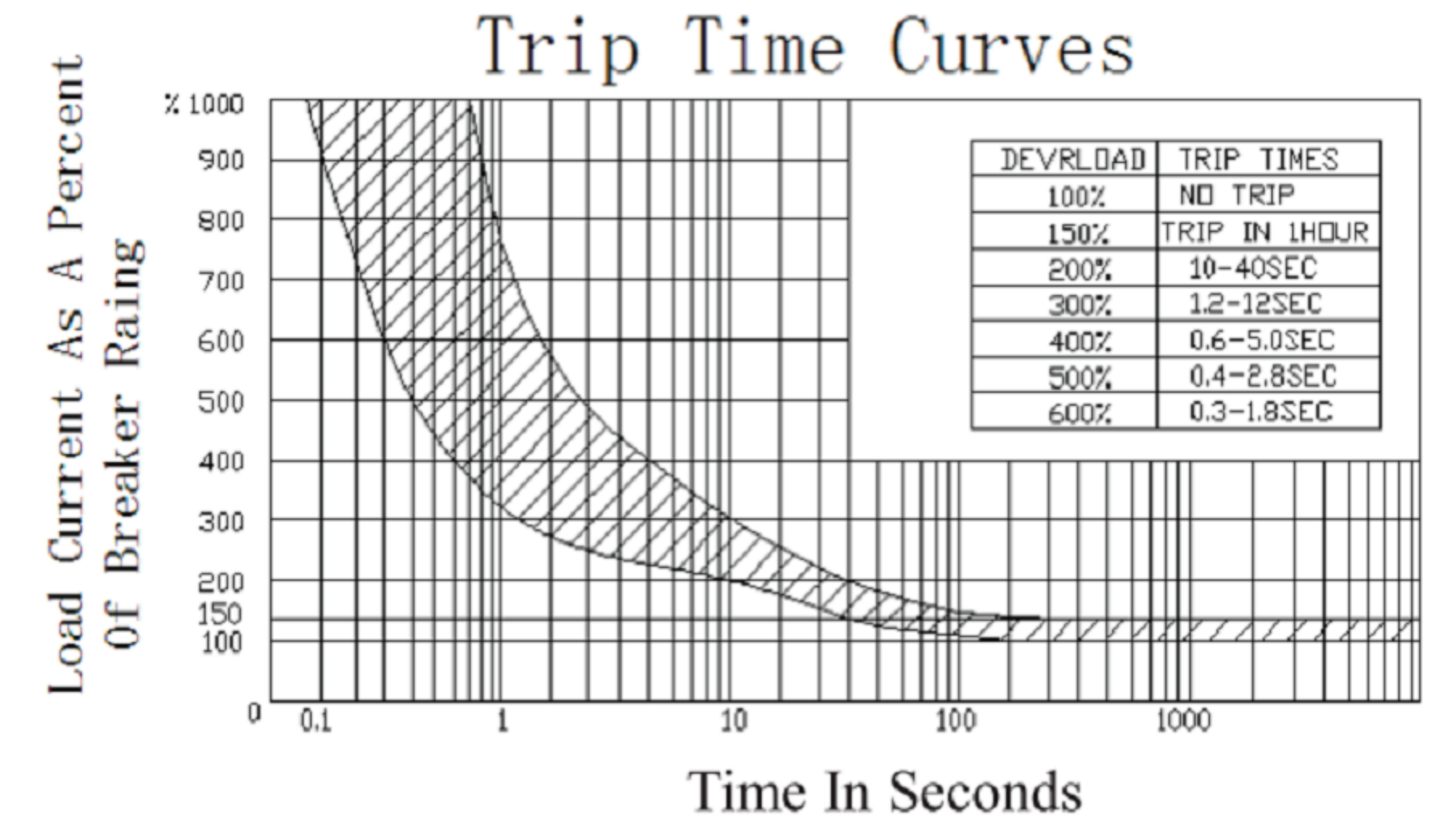
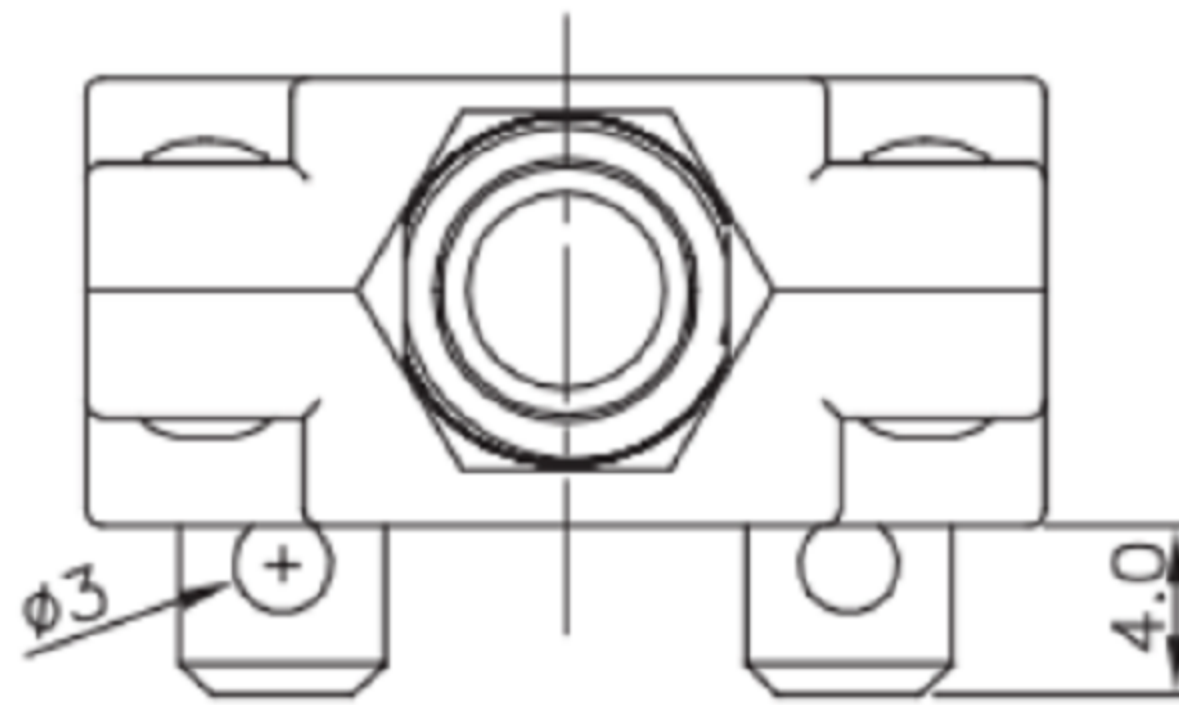
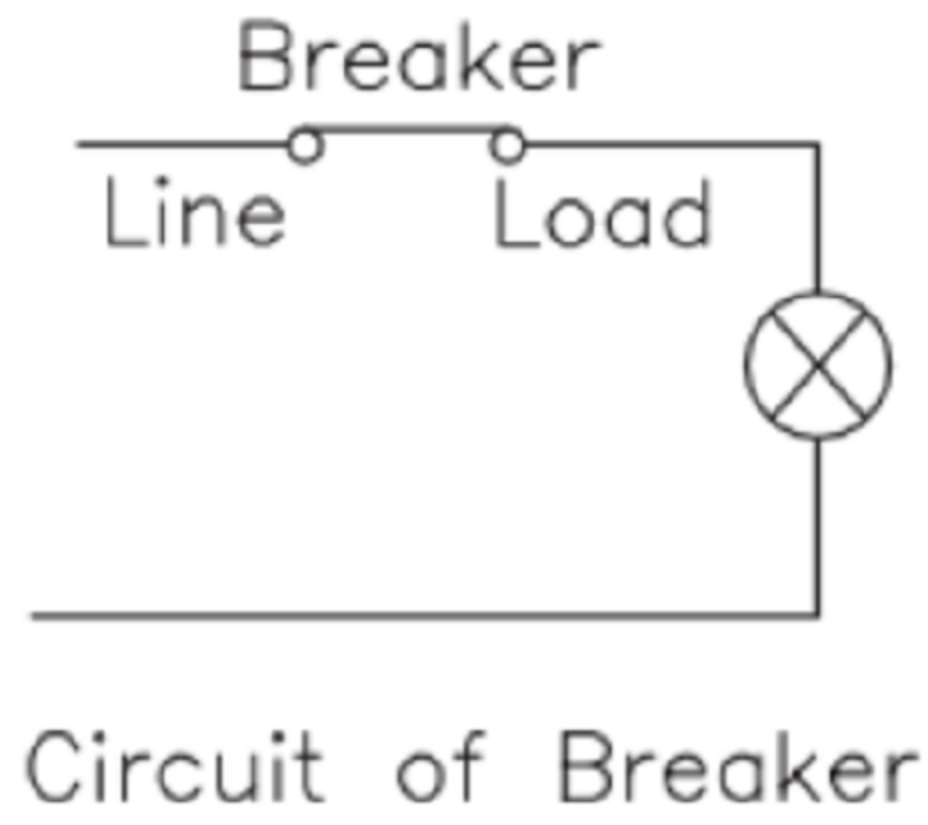


Rating: 3~20A 125/250VAC
UL CUL: E321127



Percent of Rated Current Trip Curves Are Specified of 25

Model Number	Current Rating	Overload Percentage	Trip Time(in seconds) VS Amperes at+25
RTB series	3~20A	100%	NO. Trip
		150%	Trip in 1 hours
		200%	10~40
		300%	1.2~12
		400%	0.6~5.0
		500%	0.4~2.8
		600%	0.3~1.8



RTB- **B4BNBNFA
安培數(03~20)

SPECIFICATION 規格:

1. Rating: 3A-20A
2. Certifications: UL, CUL
3. Resetable overload capacity: 10 times rated current
4. Reset Time: 1 minute min.
5. Dielectric Strength: 1500VAC ohms 0.5mA 1 minutes
6. Insulation Resistance: 100M ohms
7. Voltage Drop: Less than 0.25V Temperature Rise at Terminal Block
8. Less than 117 o F (65°C) at 100% of rated current
9. Applied continuously at 70° F (25°C)

東莞市高迪電子有限公司
DONG GUAN GAO DI ELECTRONICS CO., LTD

TOLERANCE UNLESS OTHERWISE STATED:
Up to 5 ±0.2
Above 5 ~ 15 ±0.3
Above 15 ~ 30 ±0.4
Above 30 ~ 50 ±0.5
Angle ±0.3°

3RD. ANGEL'S

UNITS MM

DRAWN BY: Ming Ming Zou 07/10/13
CHECKED BY: Ning Ning Su 07/10/13
APPROVED BY: Jia Xiang 07/10/13

MAT'L	TITLE	SWITCH
FINISH	MODLE	SWITCH
SCALE 2:1	DWG NO.	SIZE A4
SHEET NO. 1 of 1	PART NO.	VER R1

1	更新開關位置	Jack	07/10/13
ITEM NO.	DESCRIPTION	DRAWN	DATE