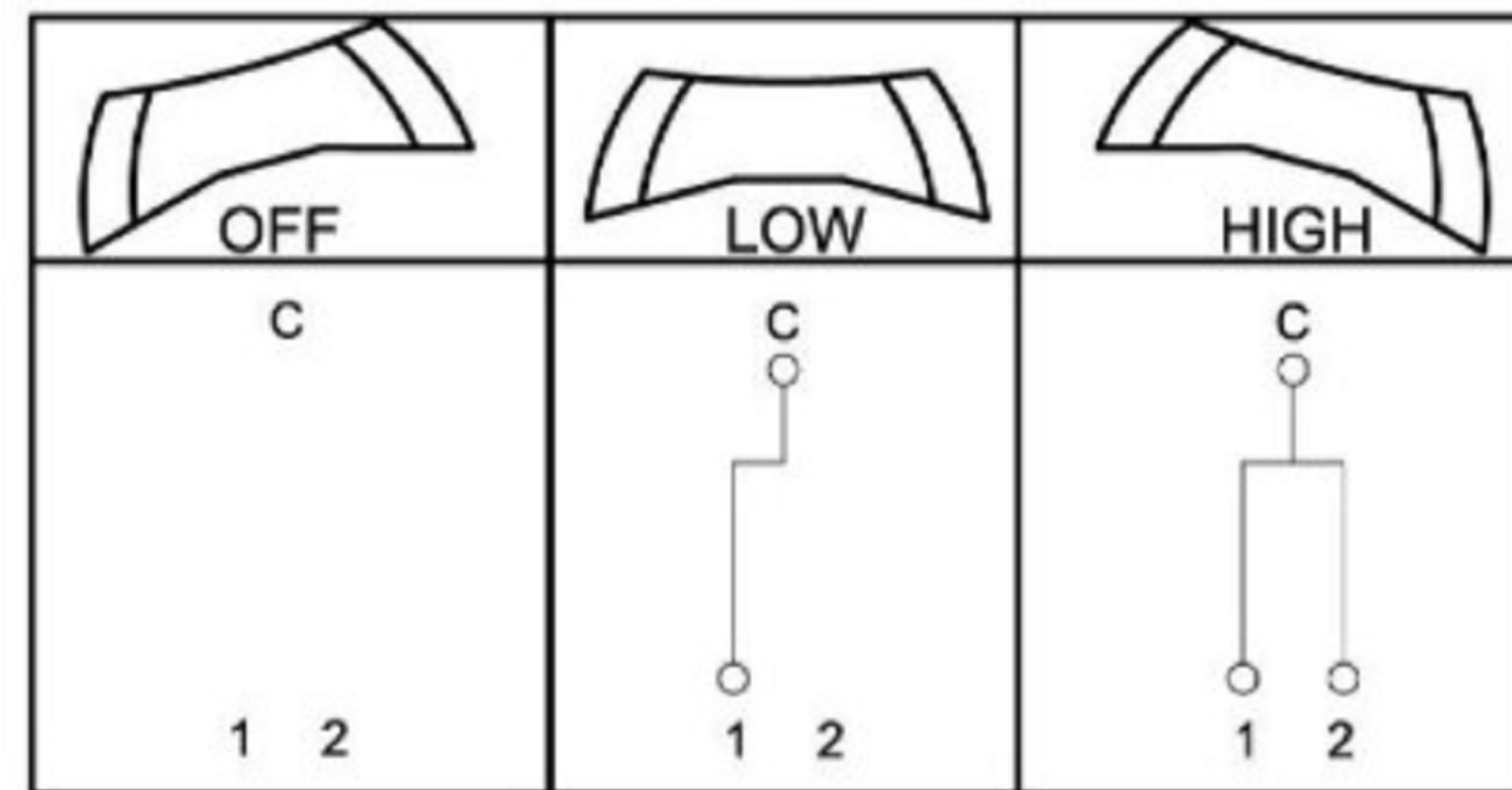


线路/ Circuit



1. 跷板开关型号 ROCKER SWITCH MODEL: KND-3-FBMS-R2
2. PCB端子 PCB MOUNT TERMINAL;
单刀三掷 SINGLE POLE THREE THROW
3. 额定值 RATING: 16(4) A 125/250VAC μ T85/55
10(2)A 125/250VAC μ T85/55
7(2)A 125/250VAC μ T85/55
4. 接触电阻 CONTACT RESISTANCE: <math><50\text{m}\Omega</math> (INITIAL)
5. 绝缘电阻 INSULATION RESISTANCE: $\geq 100\text{M}\Omega$ (DC500V/1MIN)
6. 介电强度 DIELECTRIC STRENGTH: 1500V /5mA /1MIN
7. 机械寿命 MECHANICAL LIFE: >50000 CYCLES
8. 电气寿命 ELECTRICAL LIFE: >10000 CYCLES
9. 端子手工焊接条件 SOLDER ABILITY OF TERMINAL: MAX260°C, 3S
10. 操作力 OPERATION FORCE: 850 \pm 200gf
11. 所有部件均使用环保材料 ALL MATERIALS ARE RoHS COMPLIANT



东莞市高迪电子有限公司
DONG GUAN GAO DI ELECTRONICS CO., LTD

TOLERANCE UNLESS OTHERWISE STATED:
Up to 5 ± 0.2
Above 5 ~ 15 ± 0.3
Above 15 ~ 30 ± 0.4
Above 30 ~ 50 ± 0.5
Angle $\pm 0.3^\circ$

3RD. ANGEL'S

UNITS MM

DRAWN BY: DATE
Ming Ming Zou 07/10/13

CHECKED BY: DATE
Ning Ning Su 07/10/13

APPROVED BY: DATE
Jia Xiang 07/10/13

MAT'L	TITLE	SWITCH
FINISH	MODLE	ROCKER SWITCH
SCALE 2:1	DWG NO.	GD-KND-3-R2S
SHEET NO. 1 of 1	PART NO.	

1	更新開關位置	Jack	071013
ITEM NO.	DESCRIPTION	DRAWN	DATE

SIZE A4
VER R1