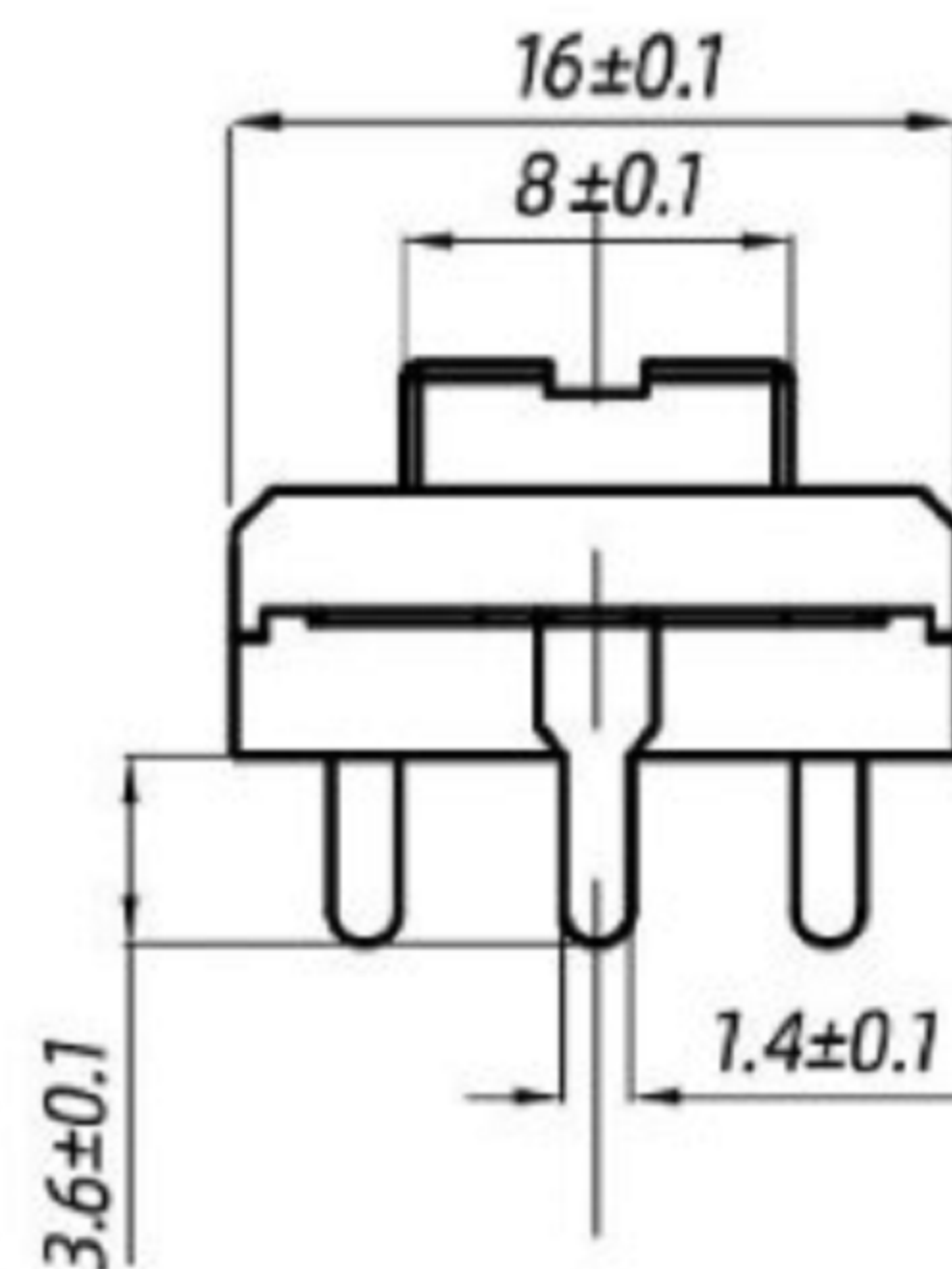
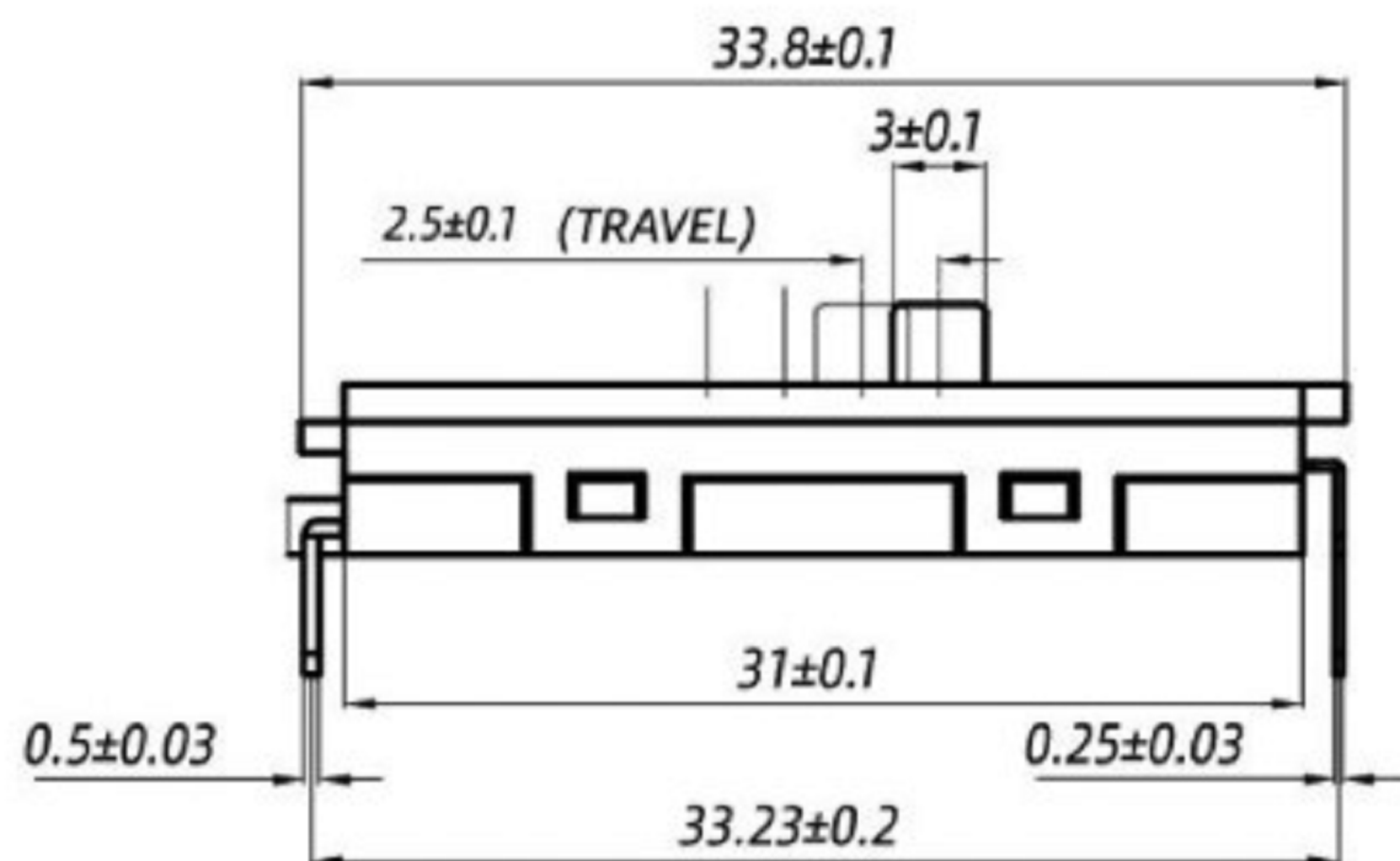
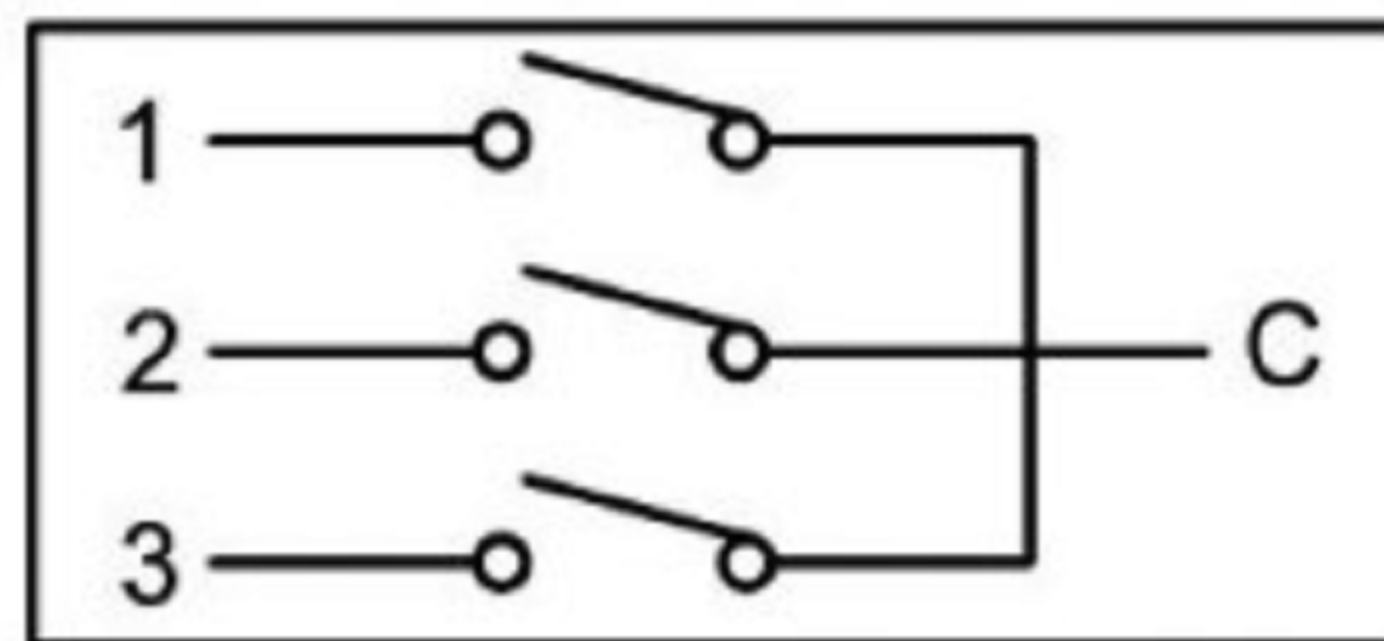


线路图  
CIRCUIT DIAGRAM



## 四档滑动开关

1. 滑动开关型号 SLIDE SWITCH MODEL: KND-1-NP001
2. PCB端子 PCB MOUNT TERMINAL;  
单刀四掷 . 多回路 SINGLE POLE FOUR THROW, MULTI-CIRCUIT
3. 额定值 RATING: 16(4)A 125/250VAC  $\mu$ T105  
10(2)A 125/250VAC  $\mu$ T85  
7(2)A 125/250VAC  $\mu$ T85  
5(1)A 125/250VAC  $\mu$ T85
4. 接触电阻 CONTACT RESISTANCE: <50m $\Omega$  (INITIAL)
5. 绝缘电阻 INSULATION RESISTANCE:  $\geq$ 100M $\Omega$ (DC500V/1MIN)
6. 介电强度 DIELECTRIC STRENGTH: 1500V /5mA /1MIN
7. 机械寿命 MECHANICAL LIFE: >100000 CYCLES
8. 电气寿命 ELECTRICAL LIFE: >50000 CYCLES
9. 端子手工焊接条件 SOLDER ABILITY OF TERMINAL: MAX260°C. 3S
10. 操作力 OPERATION FORCE: 350 $\pm$ 150gf
11. 所有部件均使用环保材料 ALL MATERIALS ARE RoHS COMPLIANT

CIRCUIT:001

位置 POSITION	电路 CIRCUIT
1(INITIAL)起始	OFF
2	C+3
3	C+2
4	C+1+3

NO.	PARTS	MATERIALS	QTY	FINISH
5	CONTACT CLIP	PBS STRIP	1	Ag PLATED
4	TERMINAL	BRASS	3	Ag PLATED
3	BASE	PHENOLIC RESIN	1	NATURAL
2	FRAME	STEEL STRIP	1	Ni PLATED
1	KNOB	POM	1	BLACK

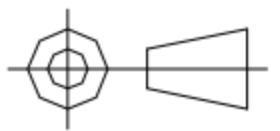


东莞市高迪电子有限公司  
DONG GUAN GAO DI ELECTRONICS CO., LTD

TOLERANCE UNLESS OTHERWISE STATED:

Up to 5  $\pm$ 0.2  
Above 5 ~ 15  $\pm$ 0.3  
Above 15 ~ 30  $\pm$ 0.4  
Above 30 ~ 50  $\pm$ 0.5  
Angle  $\pm$ 0.3°

3RD. ANGEL'S



UNITS

MM

DRAWN BY: DATE

Ming Ming Zou 11/19/14

CHECKED BY: DATE

Ning Ning Su 11/19/14

APPROVED BY: DATE

Jia Xiang 11/19/14

MAT'L TITLE SWITCH

FINISH MODLE SLIDE SWITCH

SCALE 1:1 DWG NO. GD-KND-1-NP001

SHEET NO. 1 of 1 PART NO.

SIZE  
A4  
VER  
R2

ITEM NO.	DESCRIPTION	DRAWN	DATE
2	新增SPEC	Jack	111914
1	新增尺寸	Jack	061614