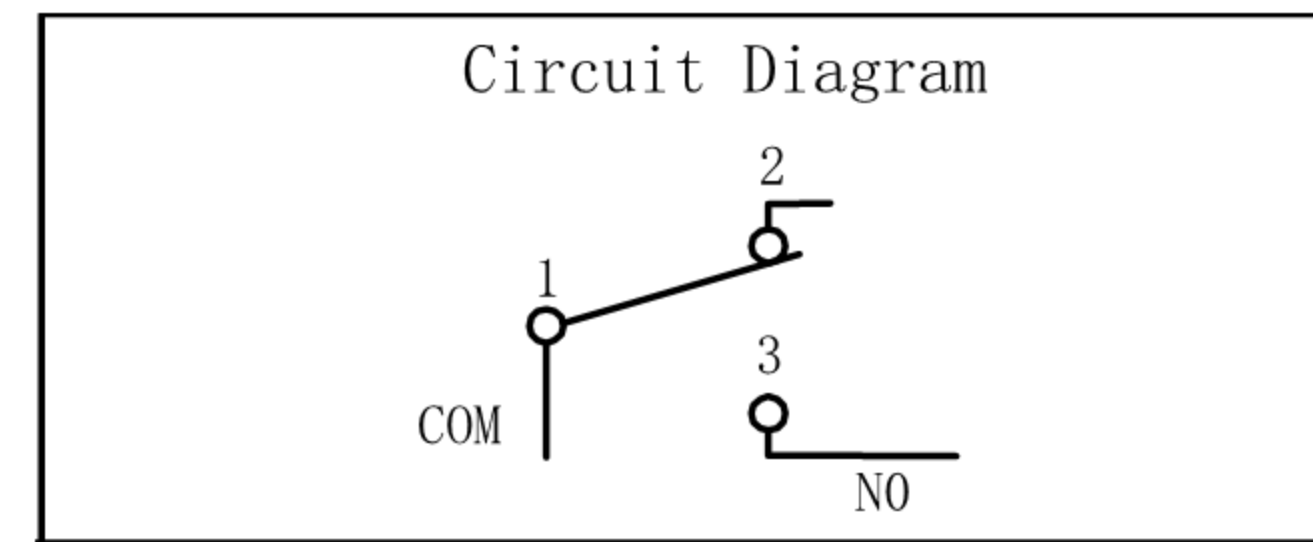
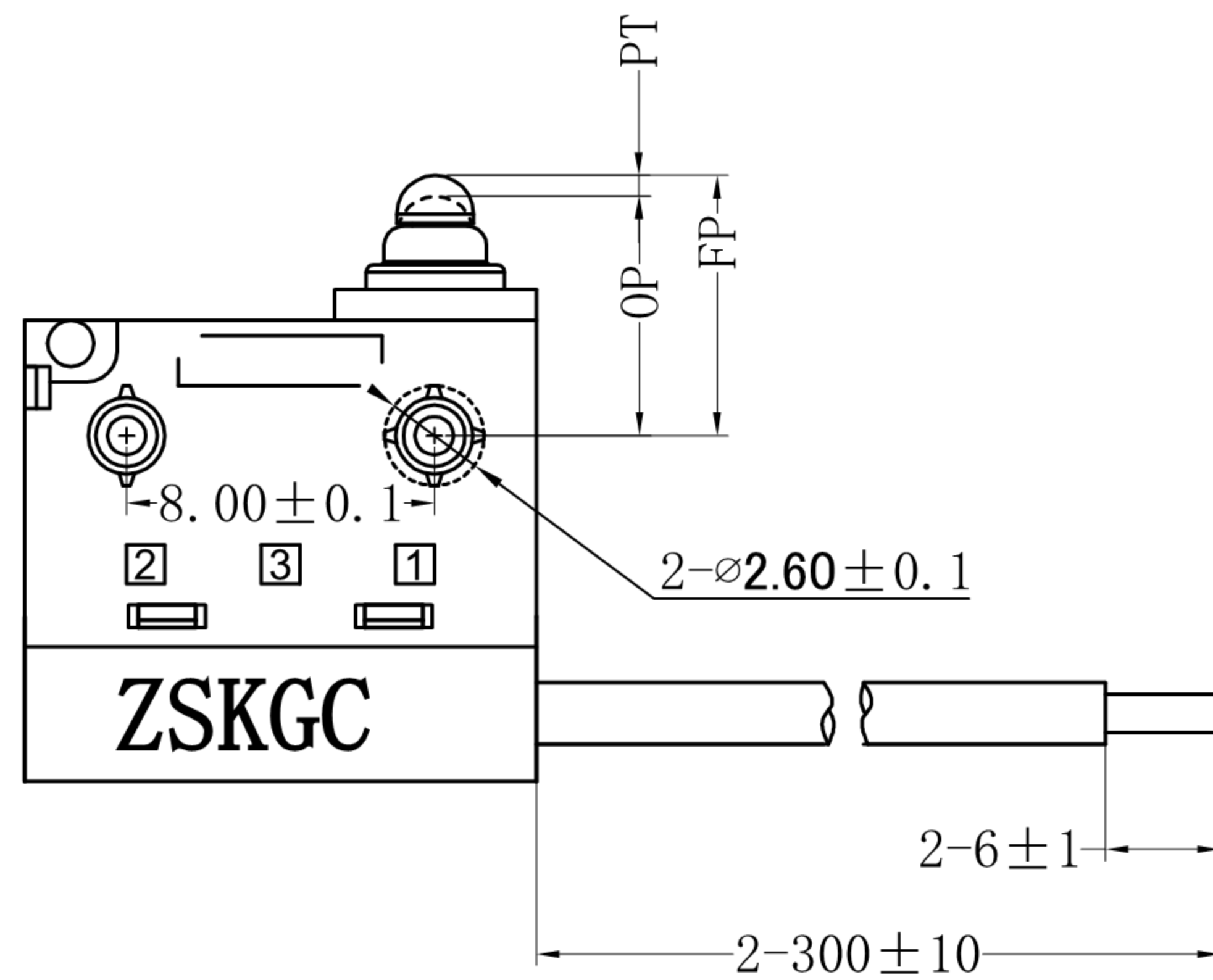


| ELECTRICAL DATA | |
|-----------------------|----------------|
| RATING | OPERATING LIFE |
| 0.1A 48VDC 125/250VAC | 100,000 CYCLES |
| 3A 12VDC | 100,000 CYCLES |
| MECHANICAL LIFE | 500,000 CYCLES |
| GAP TYPE | MICRO |
| OPERATING TEMP | -25°C ~ +85°C |
| WATERPROOF | IP67 |

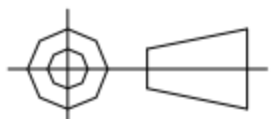


| CHARACTERISTICS | |
|----------------------------------|-------------------|
| OPERATING FORCE 操作力 (OF): | 130gf Max. |
| RELEASE FORCE 回复力 (RF): | 30gf Min. |
| OPERATING POSITION 操作位置 (OP): | 6.4 ± 0.3 mm. |
| Total Travel Position 总行程 (TTP): | 5.7mm Min. |
| DIFFERENTIAL TRAVEL 差程 (DT): | 0.25mm Max. |
| FREE POSITION 自由位置 (FP): | 7.20mm Max. |


東莞市高迪電子有限公司
 DONG GUAN GAO DI ELECTRONICS CO., LTD

TOLERANCE UNLESS OTHERWISE STATED:
 Up to 5 ± 0.2
 Above 5 ~ 15 ± 0.3
 Above 15 ~ 30 ± 0.4
 Above 30 ~ 50 ± 0.5
 Angle $\pm 0.3^\circ$

3RD. ANGEL'S



UNITS MM

DRAWN BY: DATE
 Ming Ming Zou 07/23/13
 CHECKED BY: DATE
 Ning Ning Su 07/23/13
 APPROVED BY: DATE
 Jia Xiang 07/23/13

| | | |
|------------------|----------|---------------------------|
| MAT'L | TITLE | Waterproof micro movement |
| FINISH | MODLE | Waterproof micro movement |
| SCALE 1:1 | DWG NO. | GD-H3-D51 |
| SHEET NO. 1 of 1 | PART NO. | |

| ITEM NO. | DESCRIPTION | DRAWN | DATE |
|----------|-------------|----------|--------|
| 2 | 公差及料號更新 | Jack | 072313 |
| 1 | 圖面更新 | Frank Wu | 021012 |

SIZE A4
 VER R2