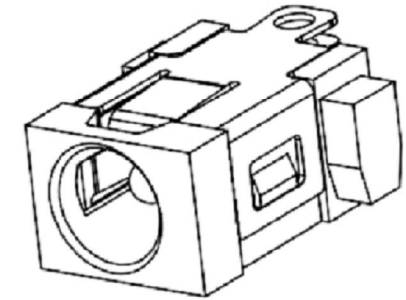


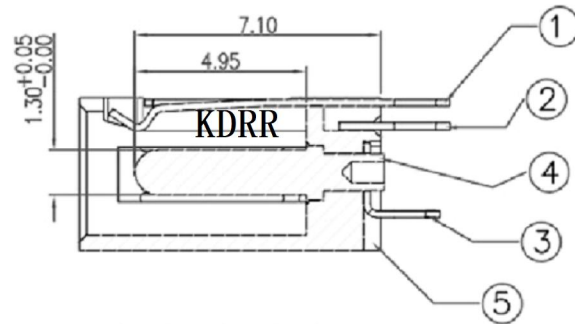
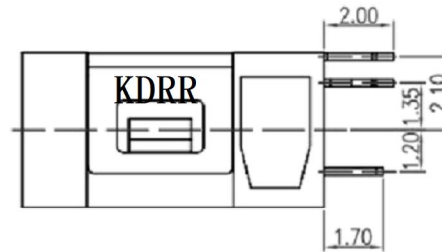
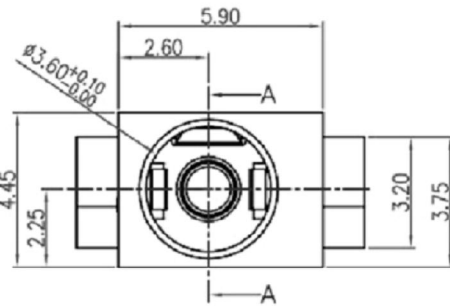
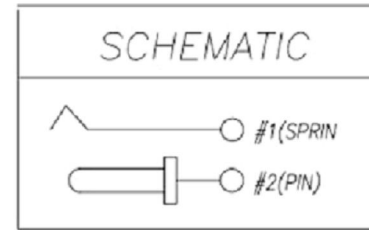
P.C.B LAYOUT
TOP VIEW



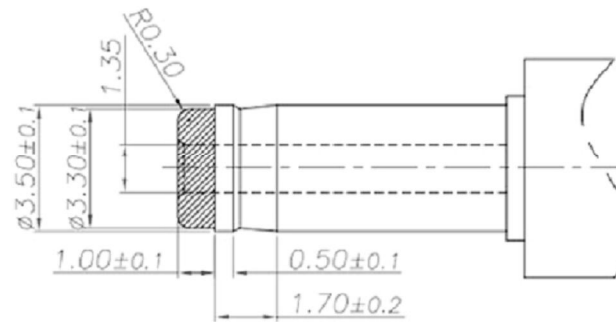
3D VIEW

SPECIFICATION

1. Rating : DC 1A 3A 12V 30V
2. Contact resistance : $\leq 30m\Omega$;
3. Insulation resistance : $\geq 100M\Omega$;
4. Withstand voltage : 500VAC ;
5. Insertion force : 3-30N;
extraction force : 3-30N;
6. life test : 5,000 cycles ◦




SECTION A-A




Mating Plug

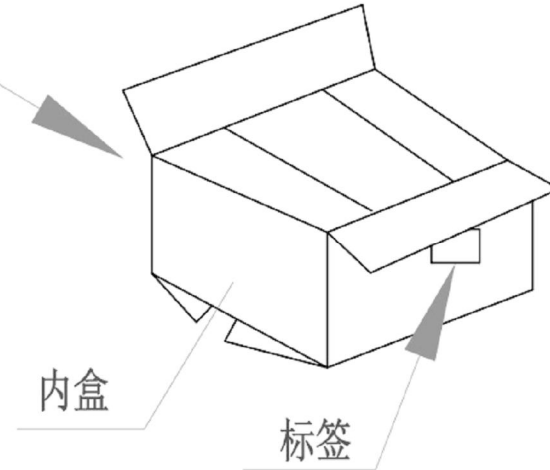
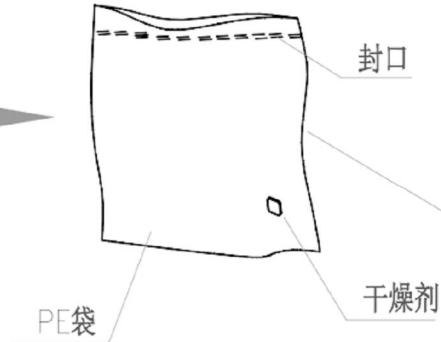
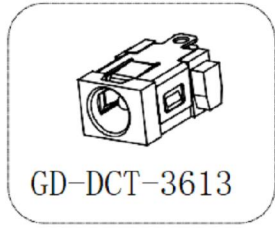
ITEM NO.	DESCRIPTION	DRAWN	DATE
4	更新材質	Jack	050420
3	更新尺寸	Jack	121119
2	更新尺寸標示位置	Jack	082719
1	更新尺寸	Jack	080519


东莞市高迪电子有限公司
 Dong Guan KDRR Electronic Switch Jack Co., Ltd.

TOLERANCE UNLESS OTHERWISE STATED:
 Up to 5 ±0.2
 Above 5 ~ 15 ±0.3
 Above 15 ~ 30 ±0.4
 Above 30 ~ 50 ±0.5
 Angle ±0.3°

3RD. ANGEL'S

 UNITS MM

DRAWN BY: Ming Ming Zou	DATE 6/8/23	MAT'L	TITLE JACK
CHECKED BY: Ning Ning Su	DATE 6/8/23	FINISH	MODLE DC JACK
APPROVED BY: Jia Xiang	DATE 6/8/23	SCALE 1 : 1	DWG NO. GD-DCT-3613
SHEET NO. 1 of 1		PART NO.	SIZE A4 VER R4



1PE袋=2000PCS

1内盒=2000PCSX2PE=4000PCS

SPECIFICATION

- 1.Rating : DC 1A 3A 12V 30V
- 2.Contact resistance : $\leq 30m\Omega$;
- 3.Insulation resistance : $\geq 100M\Omega$;
- 4.Withstand voltage : 500VAC ;
- 5.Insertion force : 3-30N;
extraction force : 3-30N;
- 6.life test : 5,000 cycles °

包材名称	材料及厚度(mm)	规格(mm)
PE袋	PE袋(白色透明)T=0.06	200X200XT0.09
PE-160X160X100-A	K=K t=4	160X160X100

备注:

1. 每PE袋内必须放干燥剂;
2. 每PE袋必须密封包装;
3. 参考《高温材料管理规定》进行作业;

ITEM NO.	DESCRIPTION	DRAWN	DATE
4	更新材質	Jack	050420
3	更新尺寸	Jack	121119
2	更新尺寸標示位置	Jack	082719
1	更新尺寸	Jack	080519



东莞市高迪电子有限公司
Dong Guan KDRR Electronic Switch Jack Co., Ltd.

TOLERANCE UNLESS OTHERWISE STATED:

Up to 5 ±0.2
Above 5 ~ 15 ±0.3
Above 15 ~ 30 ±0.4
Above 30 ~ 50 ±0.5
Angle ±0.3°

3RD. ANGEL'S



UNITS

MM

DRAWN BY: Ming Ming Zou	DATE 6/8/23	MAT'L		TITLE JACK
CHECKED BY: Ning Ning Su	DATE 6/8/23	FINISH		MODLE DC JACK
APPROVED BY: Jia Xiang	DATE 6/8/23	SCALE 1 : 1	DWG NO. GD-DCT-3613	SIZE A4
		SHEET NO. 1 of 1	PART NO.	VER R4