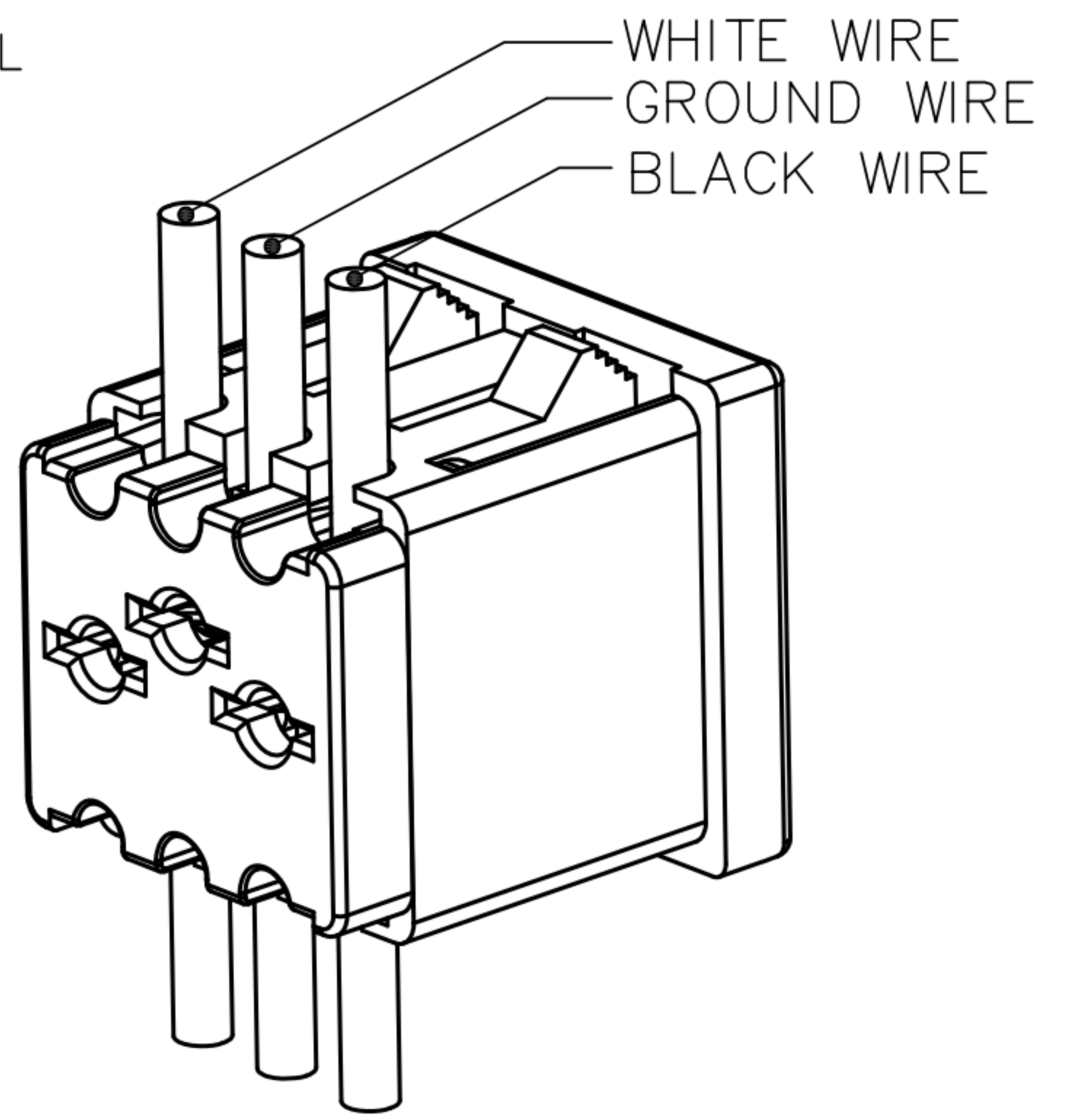


SPECIFICATION

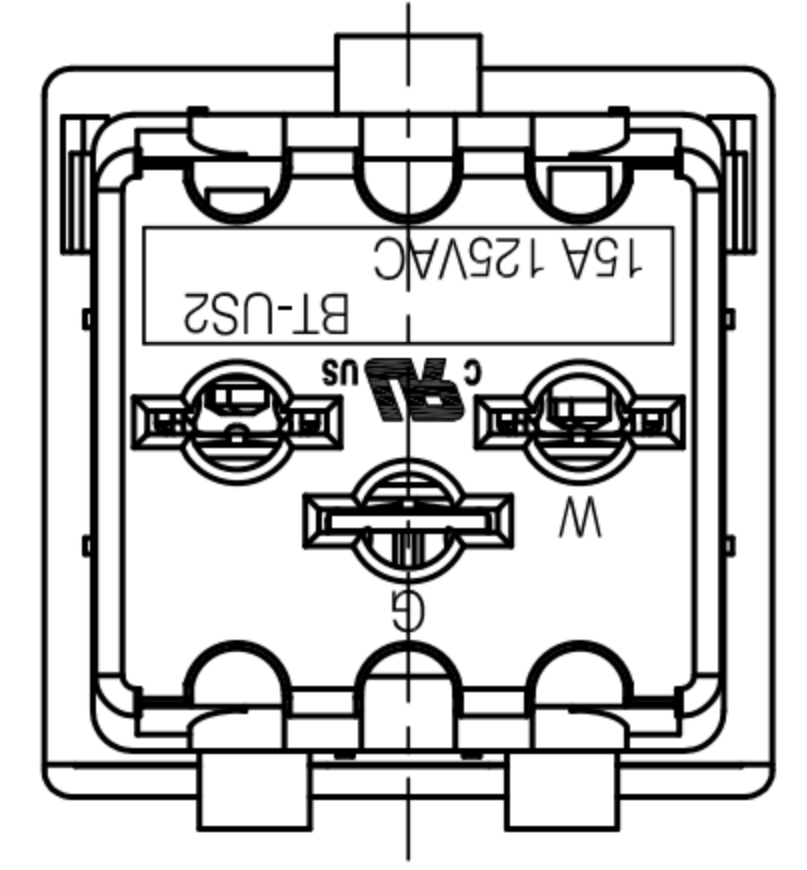
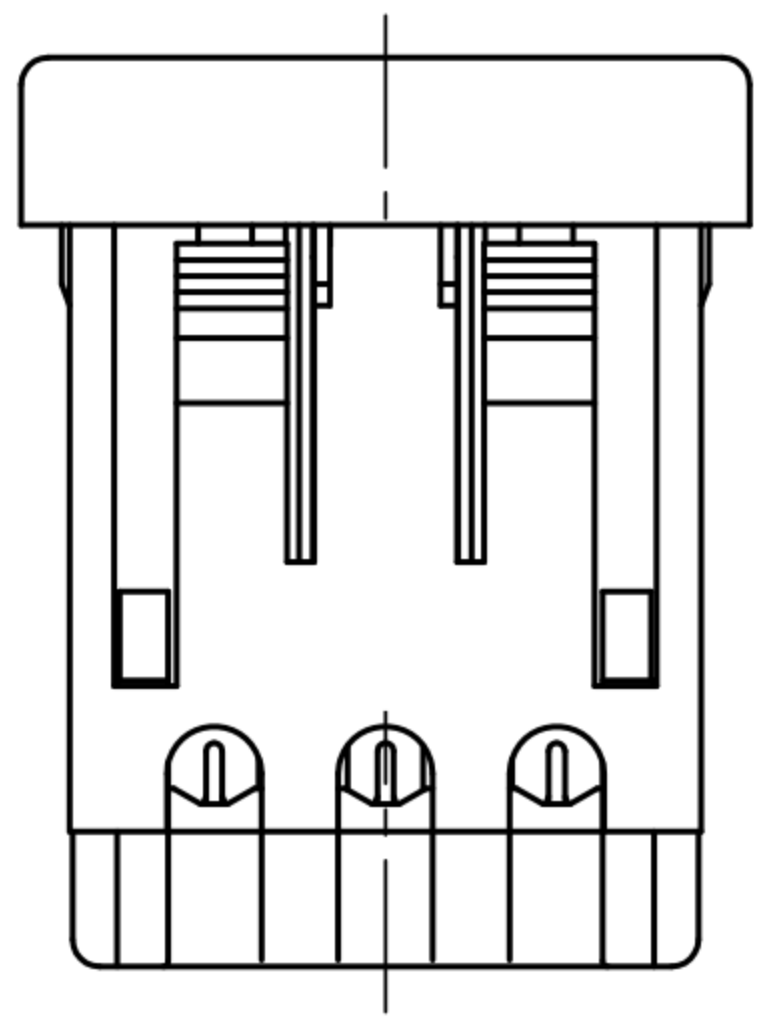
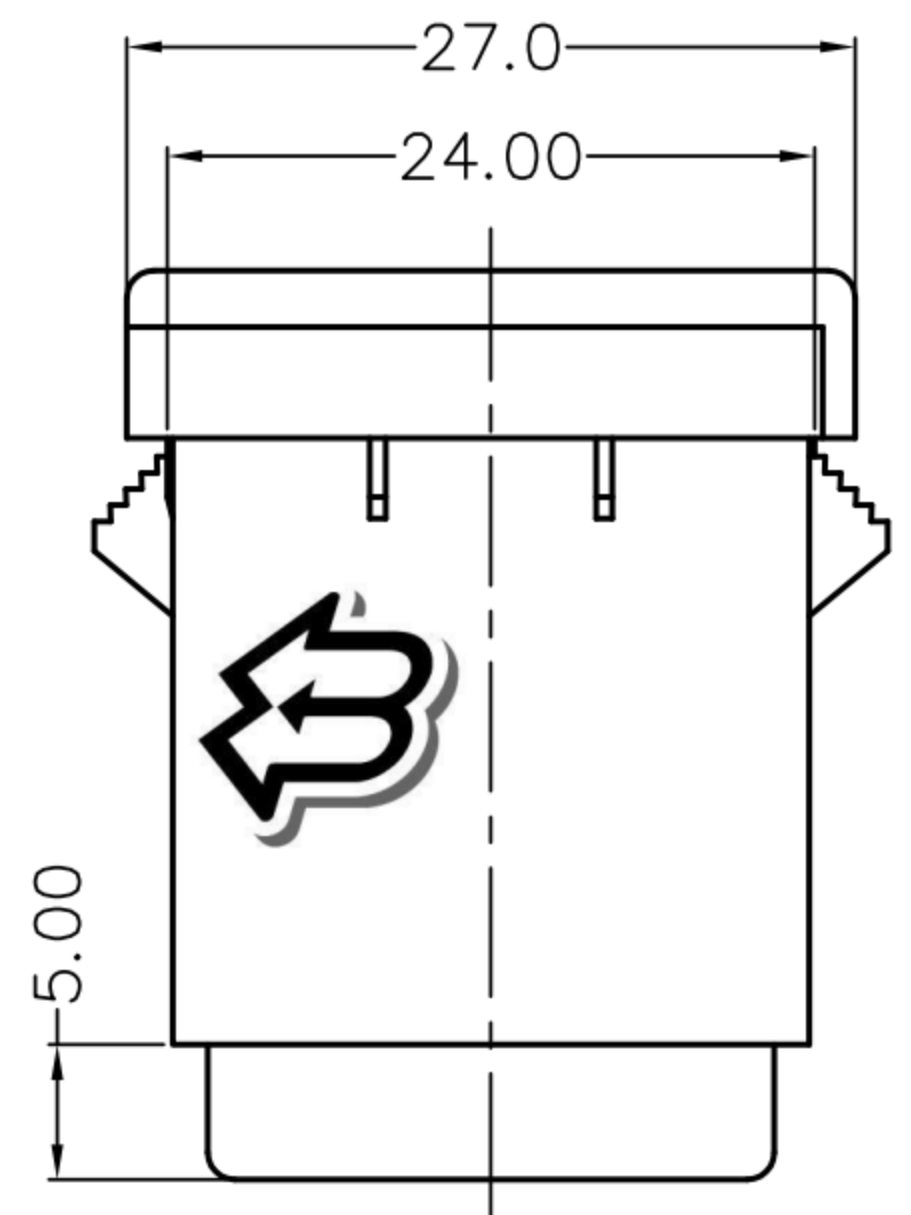
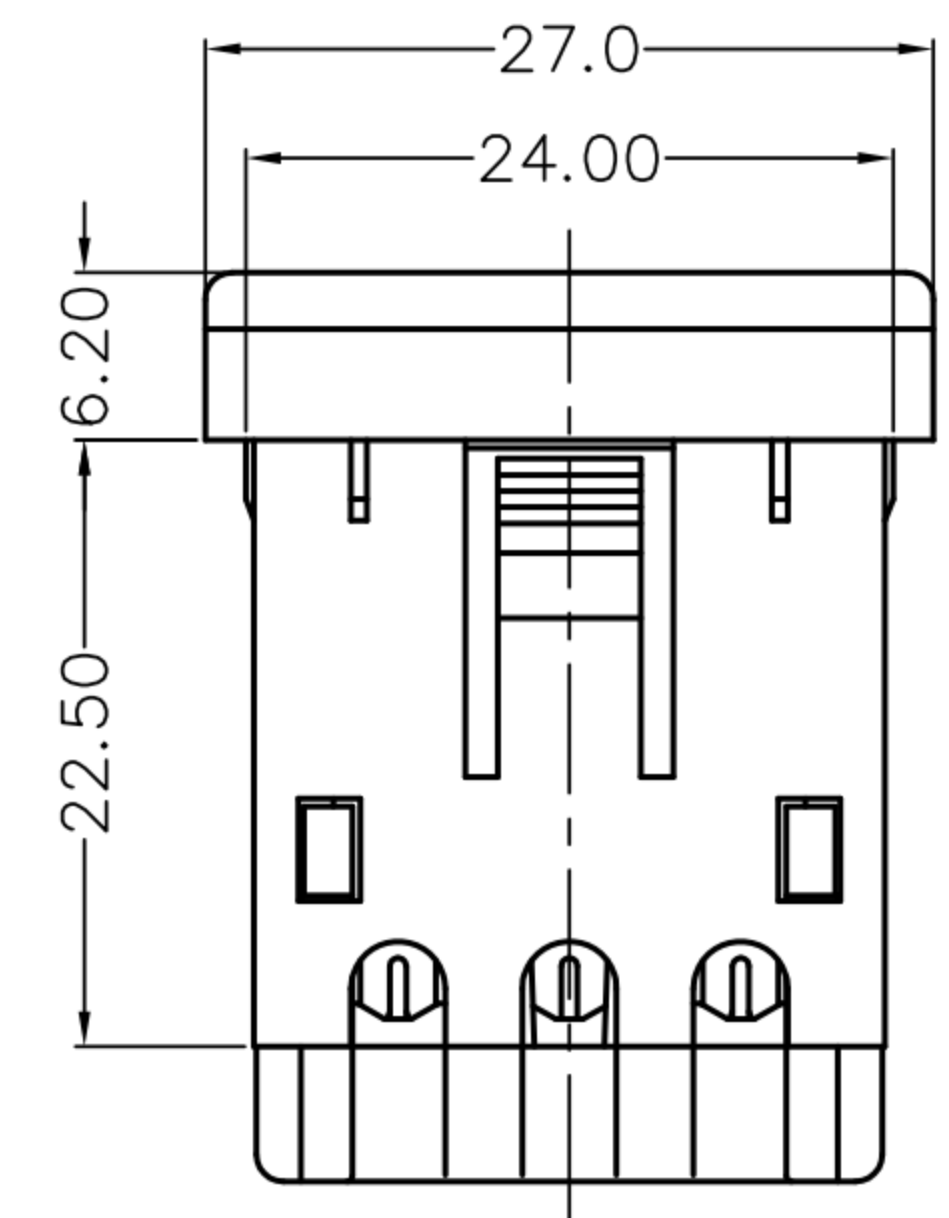
- A: MATERIAL:
- 1.CAP & HOUSING & COVER: PA(BLACK), UL 94V-0
 - 2.DOOR: POM(WHITE), UL 94V-HB
 - 3.TERMINAL(GROUND & LINE): COPPER ALLOY, NATURE
 - 4.TERMINAL(NATURE): COPPER ALLOY, NICKEL PLATED
- B: CHARACTERISTICS:
1. RATING: 15A 125V~ UL
 2. INSULATION RESISTANCE: 100MΩ MIN, AT 500V DC
 3. ELECTRIC STRENGTH: AC 2000V FOR ONE MINUTE

C: APPROVALS:

UL, CUL



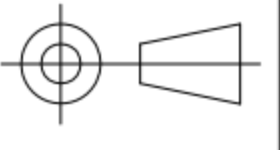
NOTE1: USE 14&16&18AWG SOLID COPPER WIRE ONLY
 NOTE2: USE 4.8x0.5&0.8mm FAST-ON TAB ONLY



 東莞市高迪電子有限公司
 DONG GUAN GAO DI ELECTRONICS CO., LTD

TOLERANCE UNLESS OTHERWISE STATED:

Up to 5	±0.2
Above 5 ~ 15	±0.3
Above 15 ~ 30	±0.4
Above 30 ~ 50	±0.5
Angle	±0.3°

3RD. ANGEL'S  UNITS MM

DRAWN BY:	DATE	MAT'L	TITLE	SWITCH
Ming Ming Zou	10/31/13			
CHECKED BY:	DATE	FINISH	MODLE	AC POWER SOCKET
Ning Ning Su	10/31/13			
APPROVED BY:	DATE	SCALE	DWG NO.	GD-BT-US2-DT
Jia Xiang	10/31/13	1:1		
SHEET NO.	1 of 1	PART NO.		
				SIZE A4 VER R

ITEM NO.	DESCRIPTION	DRAWN	DATE