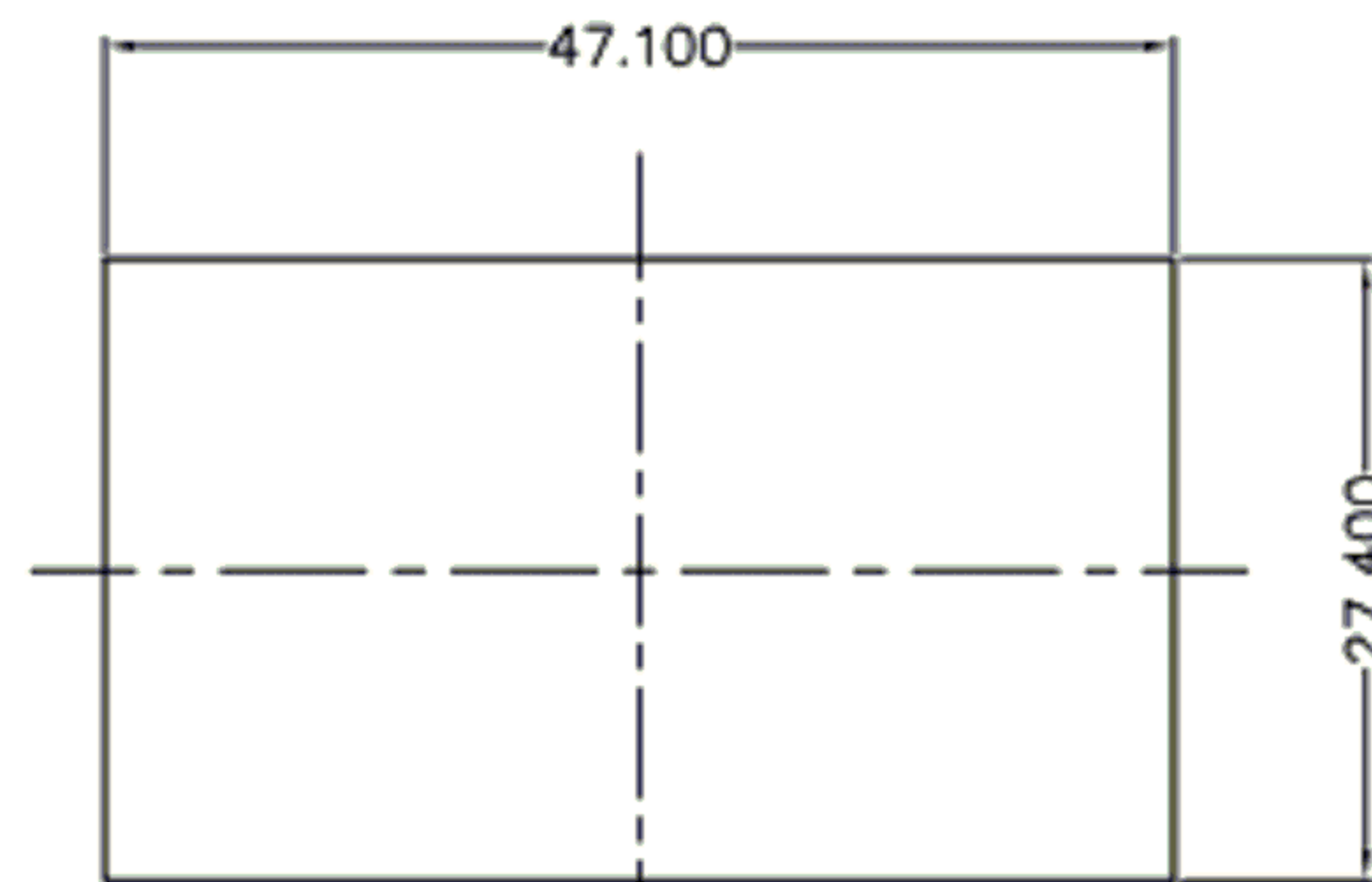
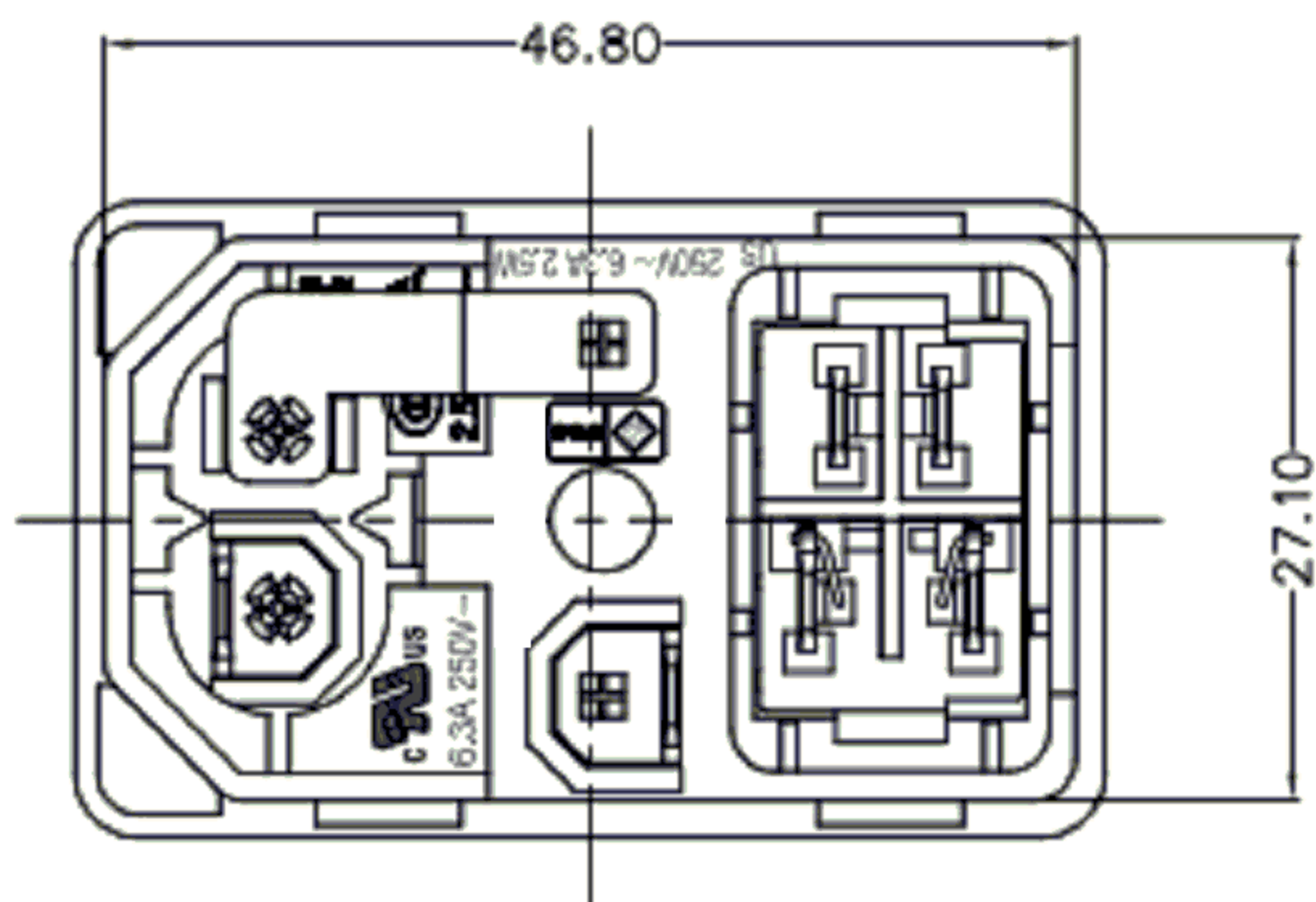
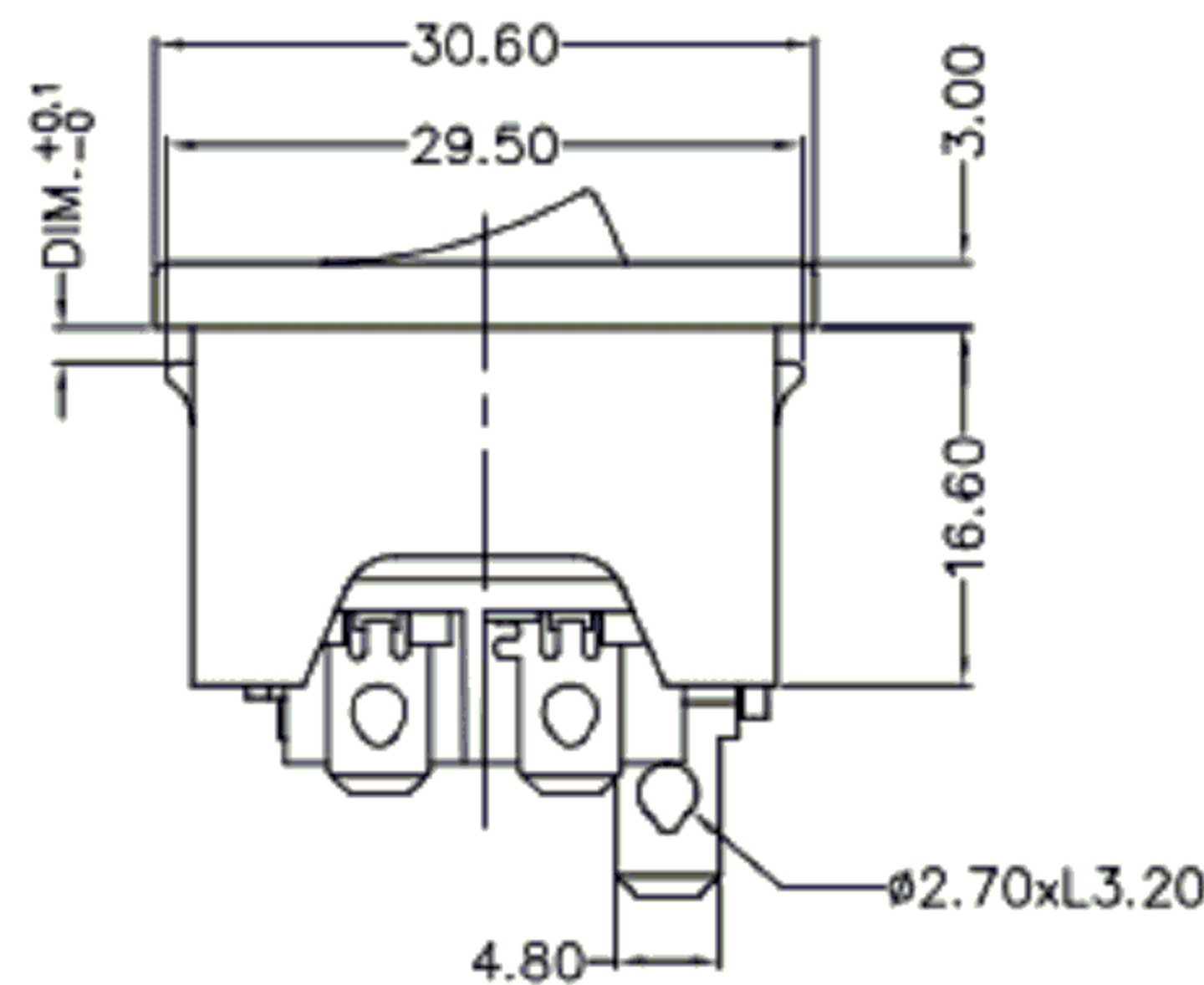
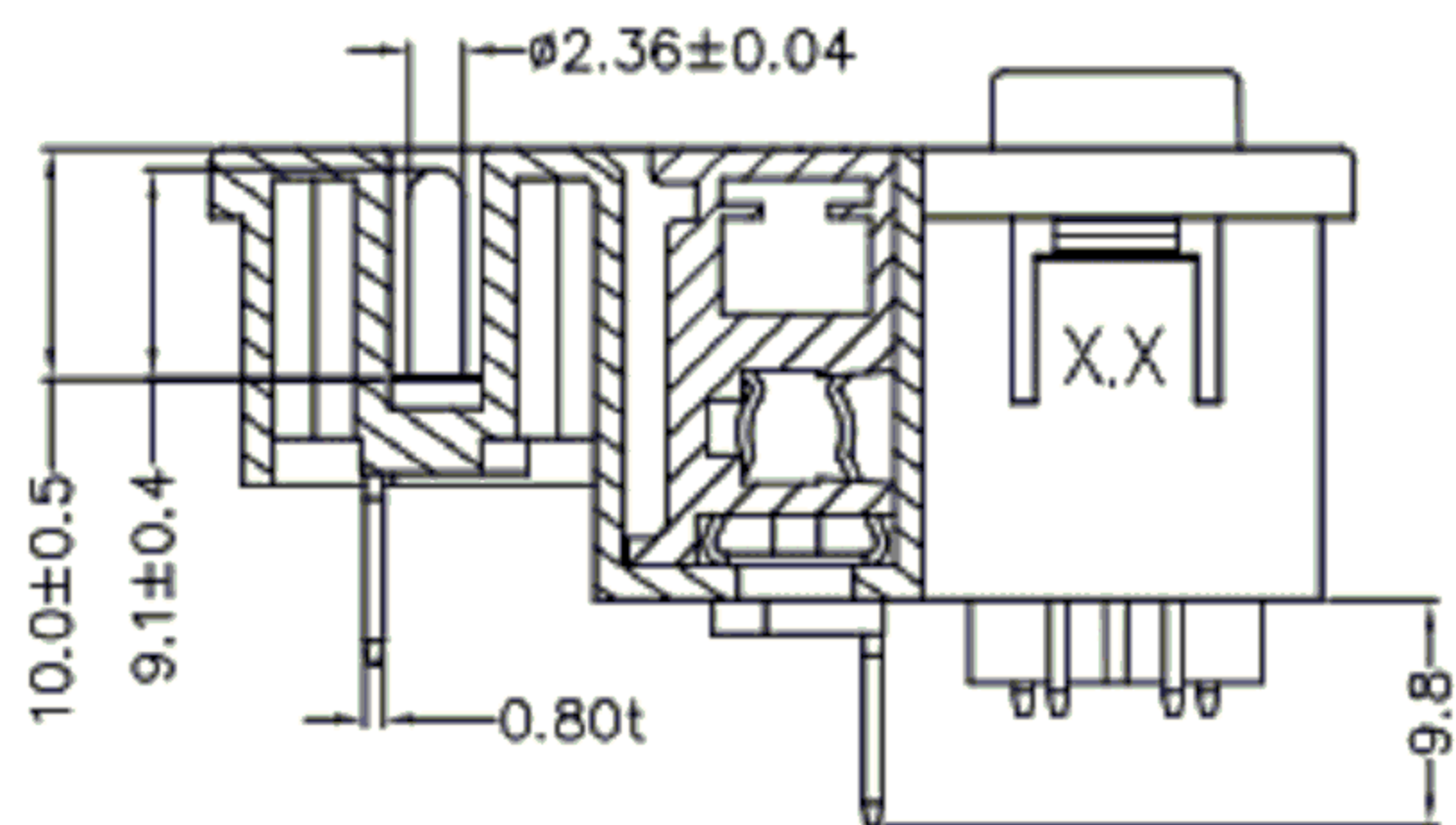


ORDERING INFORMATION:

PART NO.	DIM.X	PANEL THICKNESS
BT-8-F1(1.0)+3	1.10mm	1.0 mm
BT-8-F1(1.2)+3	1.30mm	1.2 mm
BT-8-F1(1.5)+3	1.60mm	1.5 mm
BT-8-F1(2.0)+3	2.10mm	2.0 mm



PANEL CUT-OUT

产品类型特性

- AC插座 材质
 - 塑胶件 PA66
 - 插销黄铜镀镍
 - 端子黄铜镀锡
- 使用温度范围: $-10^{\circ}\text{C} \pm 70^{\circ}\text{C}$
 - 额定值: 2.5A/7A AC 125V 250AC
 - 绝缘电阻: $100\text{M}\Omega$
 - 耐电压: 2500V AC
 - 接触电阻: $30\text{M}\Omega$
 - 寿命: 5000次
- 结构特性 插拔力: $13.6\text{N} \sim 68\text{N}$
 端子强度: 60N
 盐雾测试: $35 \pm 2^{\circ}\text{C}$ 24/h
 耐环境性能 耐寒性能 $-20 \pm 2^{\circ}\text{C}$ 96/h
 耐热性能 $100 \pm 2^{\circ}\text{C}$ 96/h
 耐湿性能 $40 \pm 2^{\circ}\text{C}$ 相对湿度90~95% 96/h



東莞市高迪電子有限公司
DONG GUAN GAO DI ELECTRONICS CO., LTD

TOLERANCE UNLESS OTHERWISE STATED:
 Up to 5 ± 0.2
 Above 5 ~ 15 ± 0.3
 Above 15 ~ 30 ± 0.4
 Above 30 ~ 50 ± 0.5
 Angle $\pm 0.3^{\circ}$

3RD. ANGEL'S

UNITS MM

DRAWN BY: DATE
Ming Ming Zou 10/31/13

CHECKED BY: DATE
Ning Ning Su 10/31/13

APPROVED BY: DATE
Jia Xiang 10/31/13

MAT'L	TITLE	SWITCH
FINISH	MODLE	AC POWER SOCKET
SCALE	DWG NO.	GD-BT-8-F1+3
SHEET NO.	PART NO.	

ITEM NO.	DESCRIPTION	DRAWN	DATE

SIZE
A4
VER
R