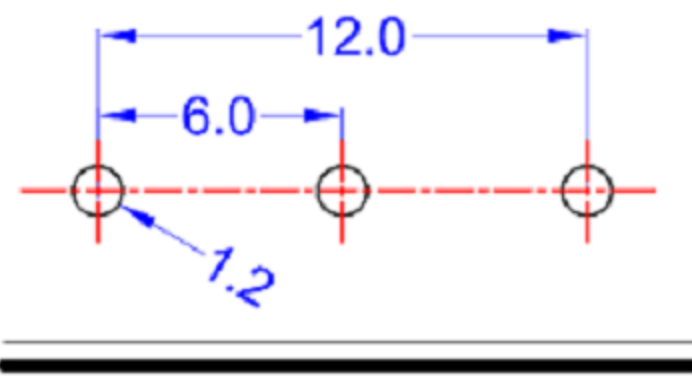
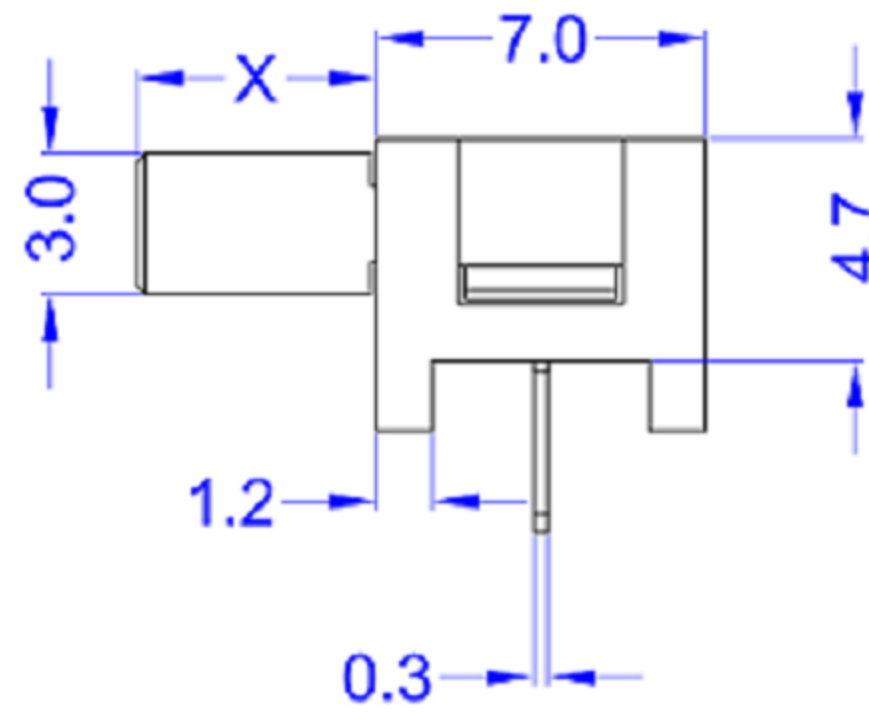
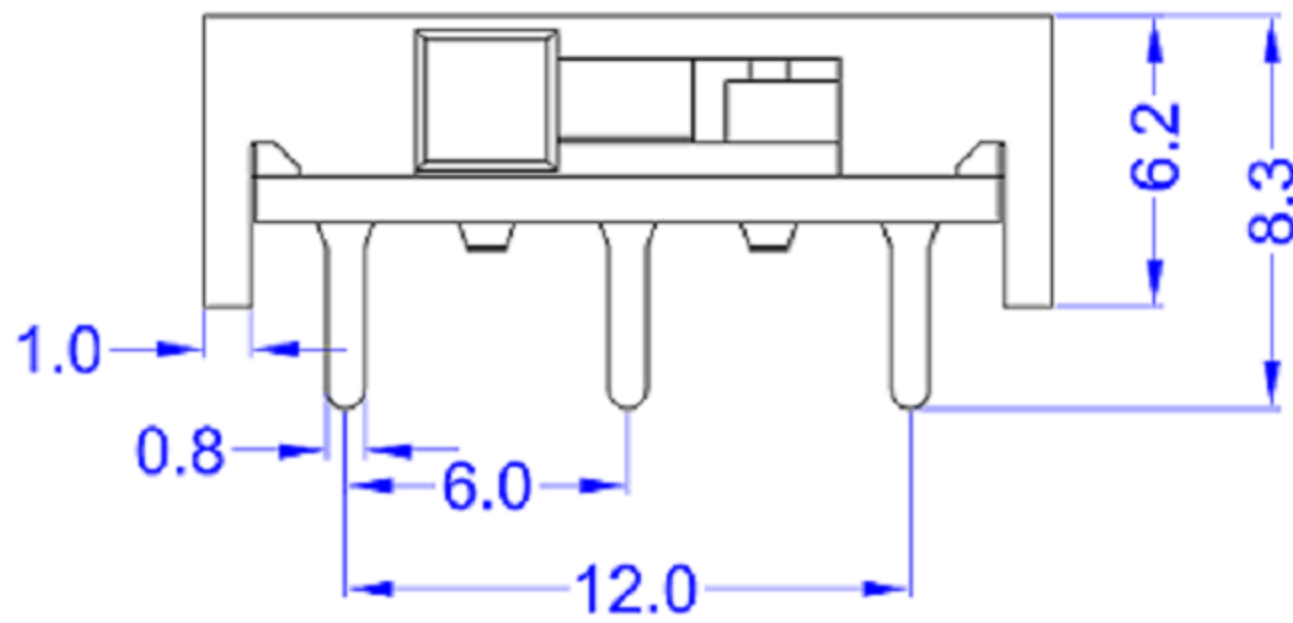


X(mm)
2mm
3mm
4mm
5mm
6mm
7mm
8mm
9mm



规格 Specification:

- 1.额定值 Rating:1.5A 50VDC
- 2.接触电阻 Contact resistance:≤100 mΩ
- 3.绝缘电阻 Insulation resistance:≥100 MΩ(DC500V/Min)
- 4.使用寿命 Operation life:>5000 cycles(Unloading)
- 5.操作力 Operation force:350±100gf
- 6.所有材料符合Rohs要求 All materials are Rohs compliant

NO.	PARTS	MATERIALS	QTY	FINISH
5	CONTACT CLIP	PBS STRIP	1	Ag PLATED
4	TERMINAL	BRASS	3	Ag PLATED
3	BASE	PHENOLIC RESIN	1	NATURAL
2	FRAME	STEEL STRIP	1	Ni PLATED
1	KNOB	POM	1	BLACK



东莞市高迪电子有限公司  
DONG GUAN GAO DI ELECTRONICS CO., LTD

TOLERANCE UNLESS OTHERWISE STATED:

Up to 5	±0.2
Above 5 ~ 15	±0.3
Above 15 ~ 30	±0.4
Above 30 ~ 50	±0.5
Angle	±0.3°

3RD. ANGEL'S

UNITS MM

DRAWN BY: Ming Ming Zou  
DATE: 11/19/14  
CHECKED BY: Ning Ning Su  
DATE: 11/19/14  
APPROVED BY: Jia Xiang  
DATE: 11/19/14

MAT'L	TITLE	SWITCH
FINISH	MODLE	SLIDE SWITCH
SCALE	DWG NO.	GD-SK-13H11F
SHEET NO.	PART NO.	

ITEM NO.	DESCRIPTION	DRAWN	DATE
2	新增SPEC	Jack	111914
1	新增尺寸	Jack	061614

SIZE A4  
VER R2