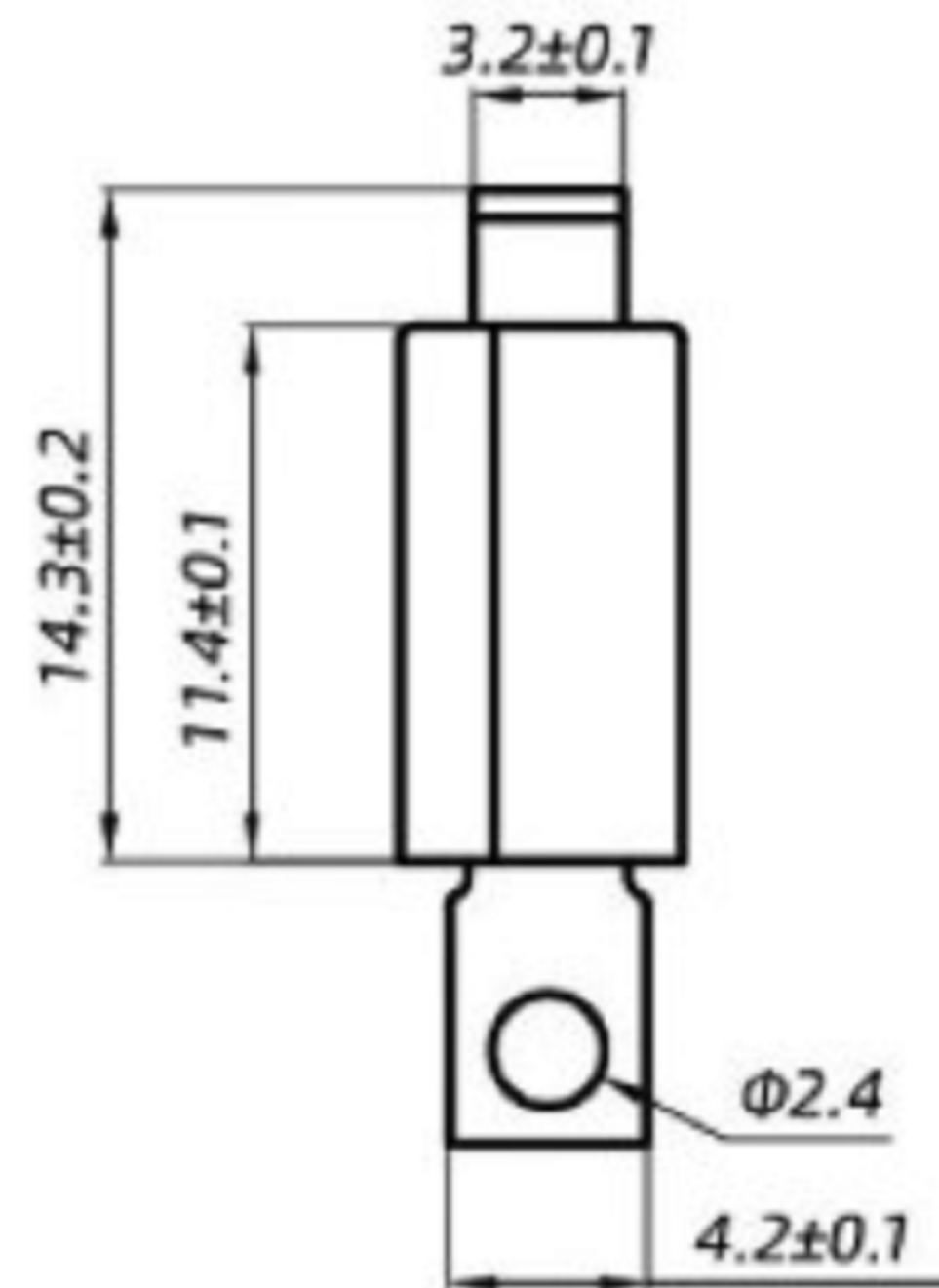
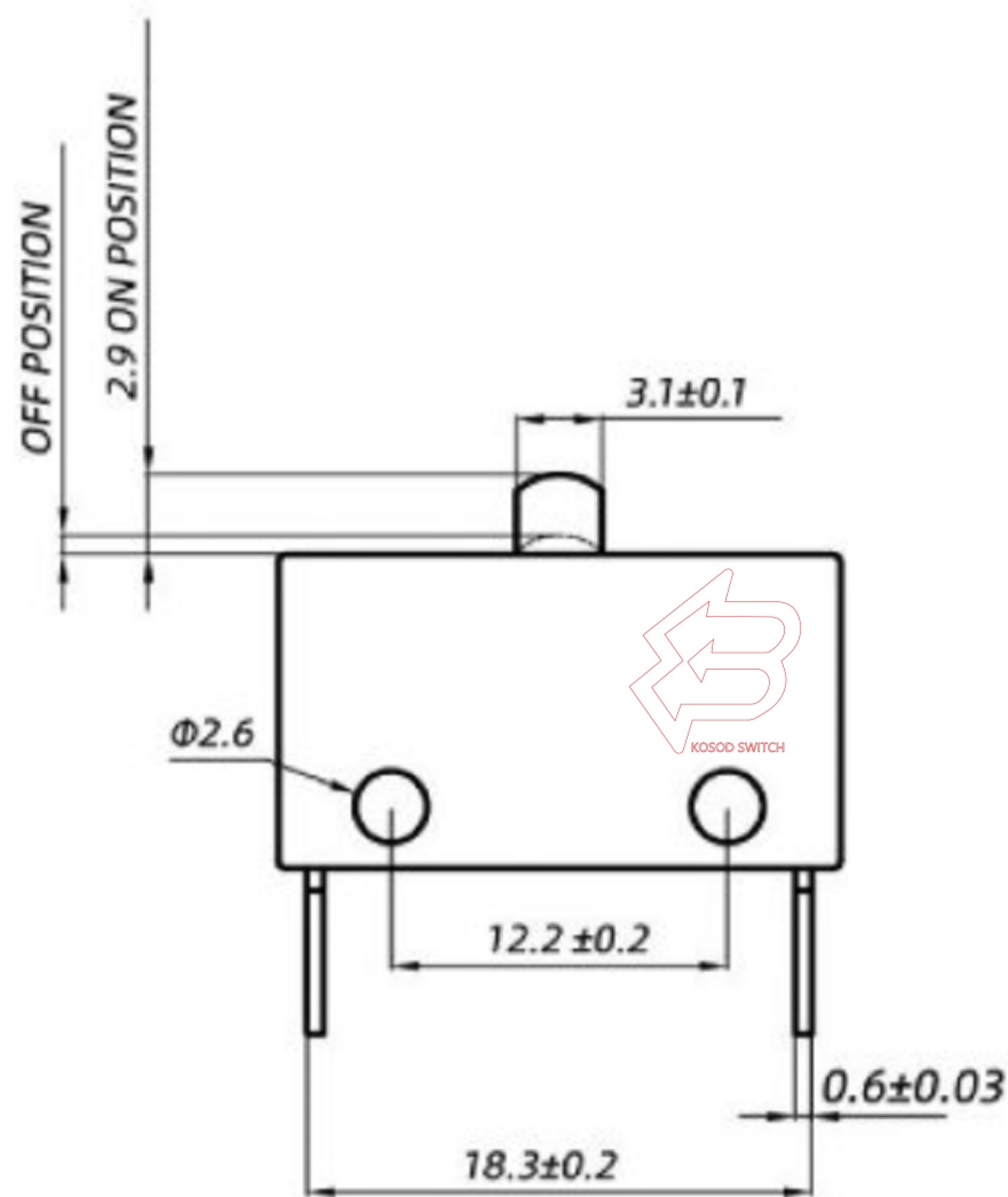


电路原理  
CIRCUIT SCHEMATIC



1. 按键开关型号 PUSH-BUTTON SWITCH MODEL: LXW-5-1-2
2. 焊线端子 SOLDER CONNECTOR TYPE;  
单刀单掷 SINGLE POLE SINGLE THROW
3. 额定值 RATING: ▲ 16(3)A 125/250VAC μ T105

- 10A 125/250VAC μ T85
- 7A 125/250VAC μ T85
- ▲ 16(3)A 125/250VAC μ T105
- 10(2)A 125/250VAC μ T105
- 7(2)A 125/250VAC μ T105
- ▲ 10A 125/250VAC μ T85

4. 接触电阻 CONTACT RESISTANCE: <50mΩ (INITIAL)
5. 绝缘电阻 INSULATION RESISTANCE: ≥100MΩ(DC500V/1MIN)
6. 介电强度 DIELECTRIC STRENGTH: 1500V /5mA /1MIN
7. 机械寿命 MECHANICAL LIFE: >50000 CYCLES
8. 电气寿命 ELECTRICAL LIFE: >10000 CYCLES
9. 端子手工焊接条件 SOLDER ABILITY OF TERMINAL: MAX260°C, 3S
10. 操作力 OPERATION FORCE: 550±150gf
11. 所有部件均使用环保材料 ALL MATERIALS ARE RoHS COMPLIANT



东莞市高迪电子有限公司  
DONG GUAN GAO DI ELECTRONICS CO., LTD

TOLERANCE UNLESS OTHERWISE STATED:  
Up to 5 ±0.2  
Above 5 ~ 15 ±0.3  
Above 15 ~ 30 ±0.4  
Above 30 ~ 50 ±0.5  
Angle ±0.3°

3RD. ANGEL'S

UNITS MM

DRAWN BY: DATE  
Ming Ming Zou 10/31/13

CHECKED BY: DATE  
Ning Ning Su 10/31/13

APPROVED BY: DATE  
Jia Xiang 10/31/13

MAT'L	TITLE	SWITCH
FINISH	MODLE	MICRO SWITCH
SCALE 1:1	DWG NO.	GD-LXW-5-1-ANS
SHEET NO. 1 of 1	PART NO.	

ITEM NO.	DESCRIPTION	DRAWN	DATE

SIZE  
A4  
VER  
R