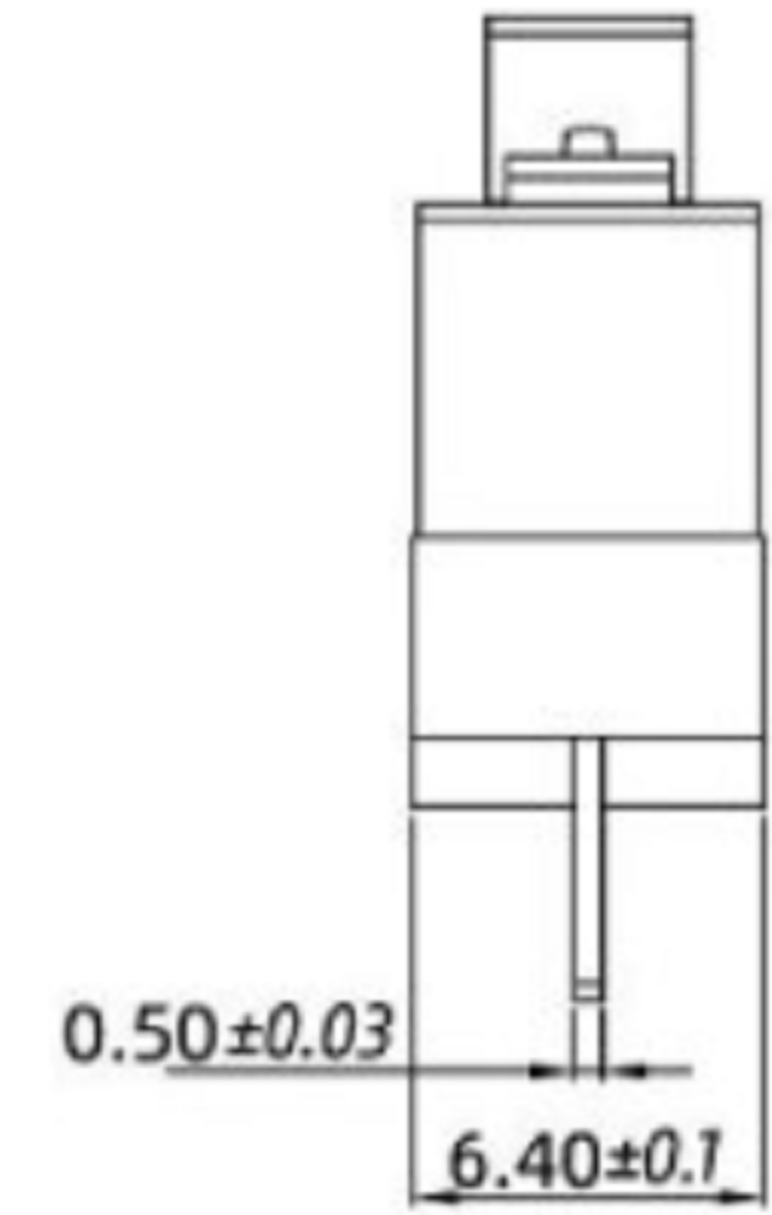
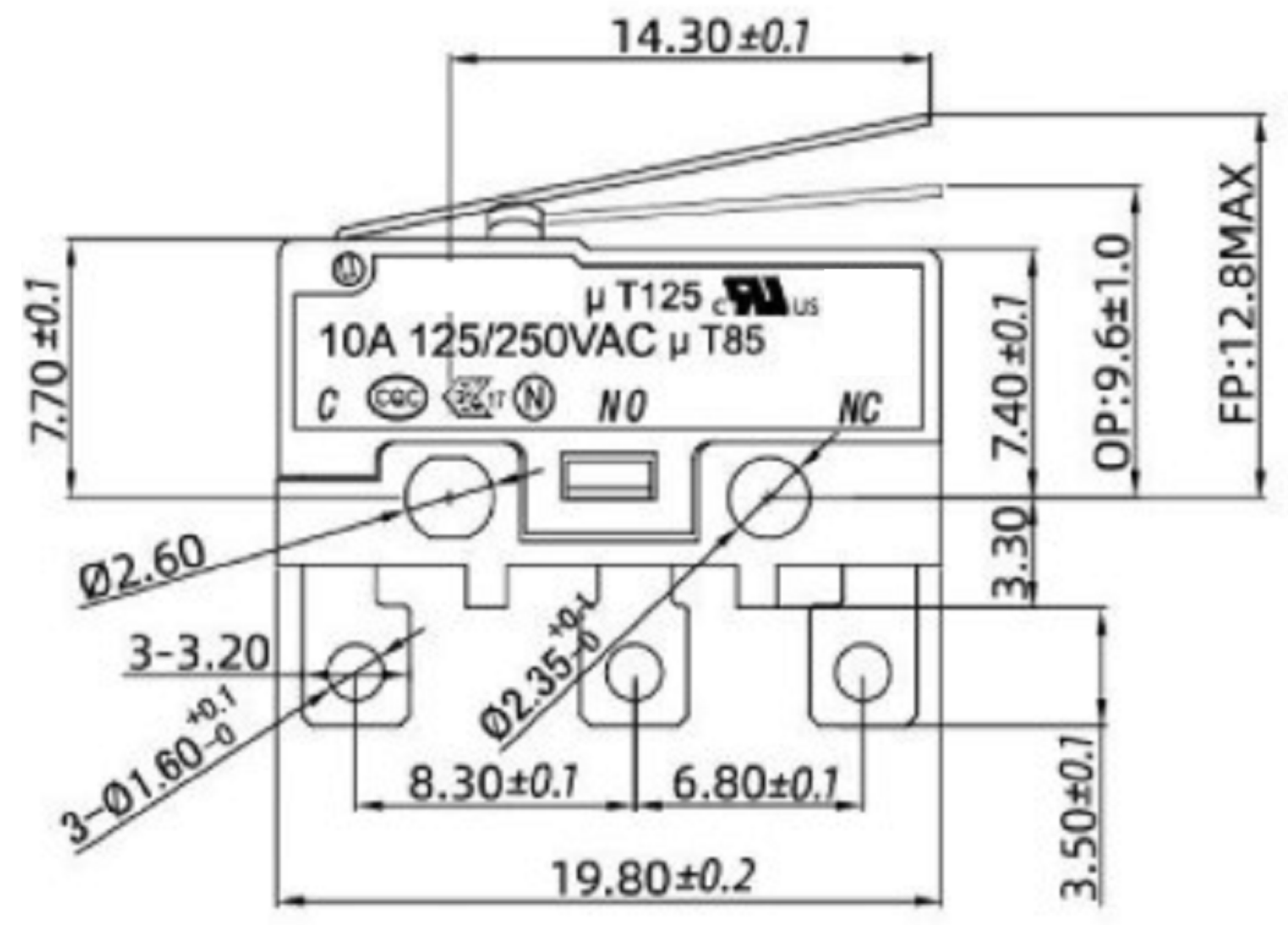
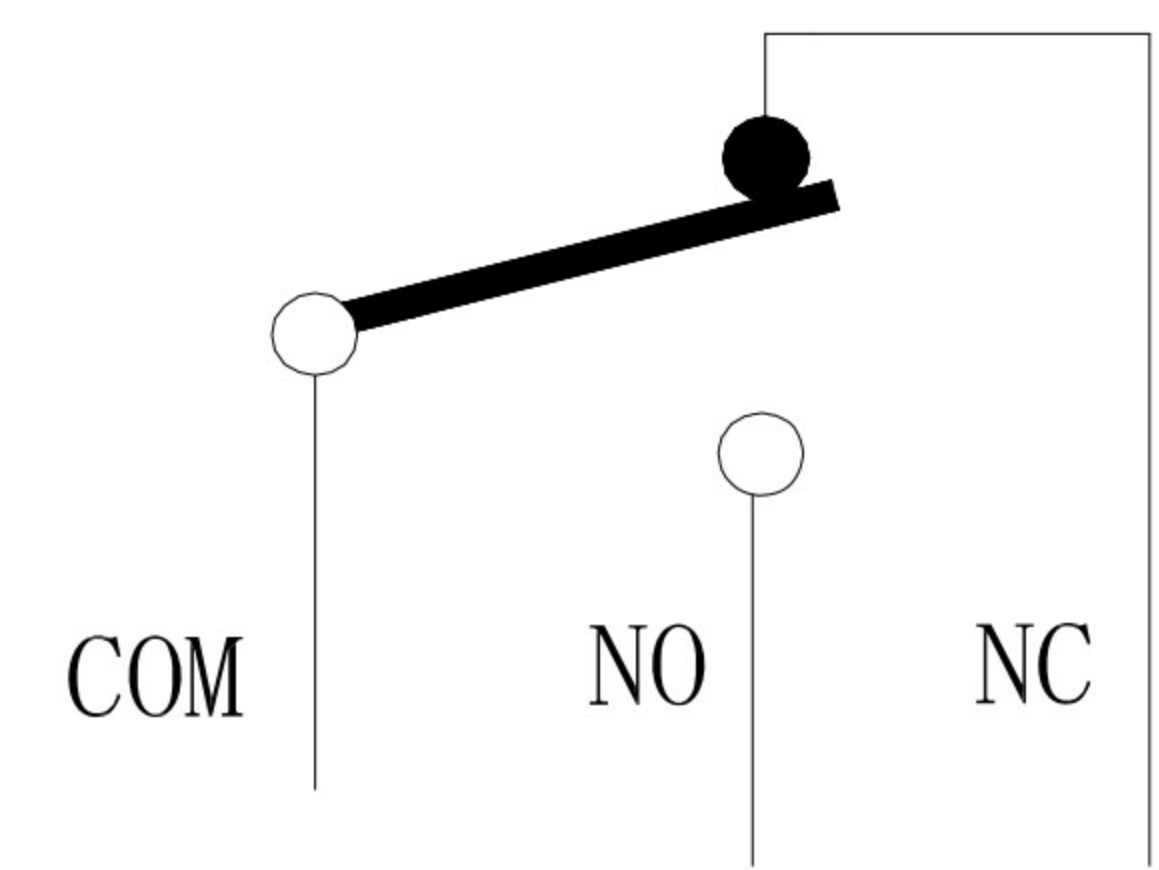


# SCHEMATIC



## 中微动开关(防尘)

- 1.微动开关型号 MICRO SWITCH MODEL: LXW-3-6-3C-B1S-R2
- 2.焊线端子 SOLDER CONNECTOR TYPE;  
单刀双掷 SINGLE POLE DOUBLE THROW
- 3.额定值 RATING: ▲10A 125/250VAC µ 25T85 CQC N 17  
5A 125/250VAC µ 25T85  
▲10A 125/250VAC µ 25T85  
▲10.1A 125/250VAC µ T125
- 4.接触电阻 CONTACT RESISTANCE: <50mΩ (INITIAL)
- 5.绝缘电阻 INSULATION RESISTANCE: ≥100MΩ(DC500V/1MIN)
- 6.介电强度 DIELECTRIC STRENGTH: 1500V /5mA /1MIN
- 7.机械寿命 MECHANICAL LIFE: >100000 CYCLES
- 8.电气寿命 ELECTRICAL LIFE: >10000 CYCLES
- 9.端子手工焊接条件 SOLDER ABILITY OF TERMINAL: MAX260°C, 3S
- 10.操作力 OPERATION FORCE: 150±50gf
- 11.所有部件均使用环保材料 ALL MATERIALS ARE RoHS COMPLIANT

 东莞市高迪电子有限公司  
DONG GUAN GAO DI ELECTRONICS CO., LTD

TOLERANCE UNLESS OTHERWISE STATED: Up to 5 ±0.2  
Above 5 ~ 15 ±0.3  
Above 15 ~ 30 ±0.4  
Above 30 ~ 50 ±0.5  
Angle ±0.3°

3RD. ANGEL'S

UNITS MM

DRAWN BY:	DATE	MAT'L	TITLE	SWITCH
Ming Ming Zou	10/31/13			
CHECKED BY:	DATE	FINISH	MODLE	MICRO SWITCH
Ning Ning Su	10/31/13			
APPROVED BY:	DATE	SCALE	DWG NO.	GD-LXW-3-6
Jia Xiang	10/31/13	1:1	PART NO.	
SHEET NO.	1 of 1			SIZE A4
				VER R